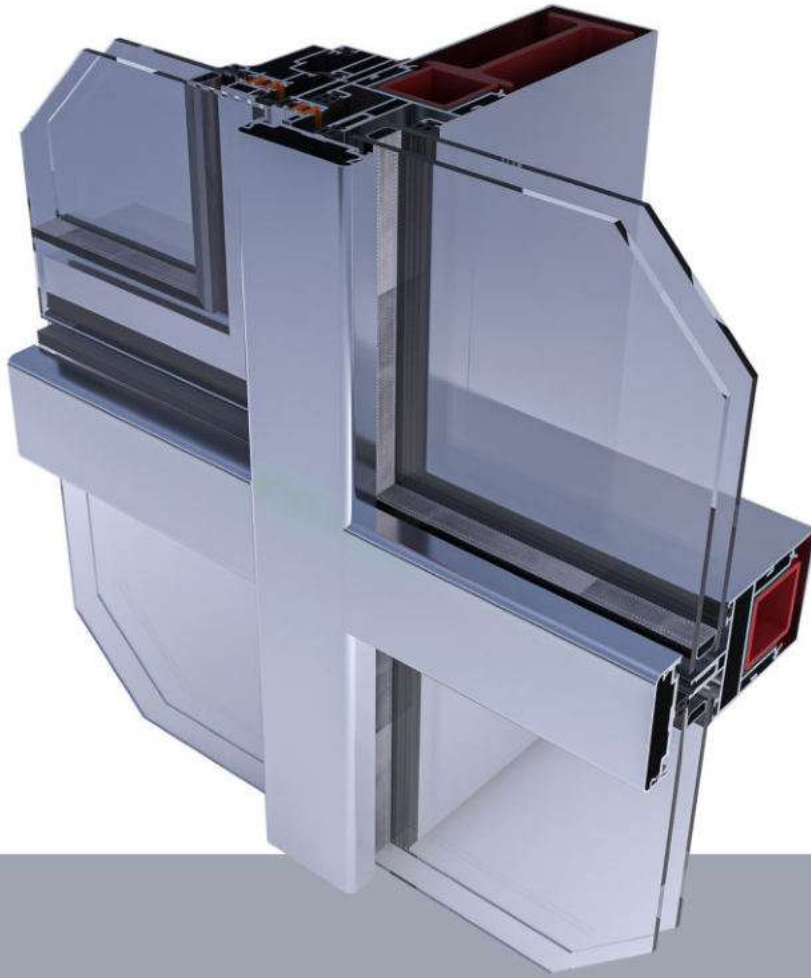
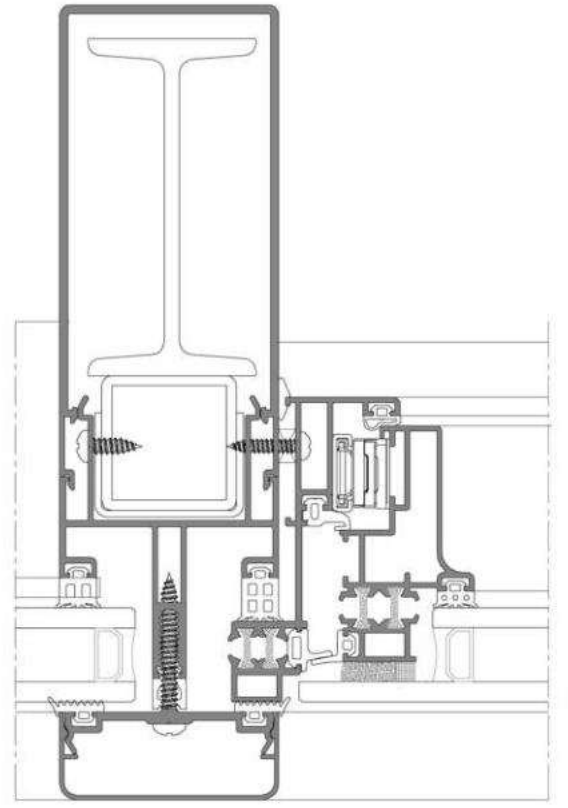




Cephe Sistem  
Facade System



# FS65



#### TEKNİK ÖZELLİKLER / TECHNICAL PROPERTIES

Profil Geniřliđi / Profile Width	65 mm
Profil Et Kalınlıđı / Profile Wall Thickness	1,8 - 2,5 mm
Düřey Tařıyıcı Profil Derinliđi / Mullion Profile Depth	84 mm
Yatay Tařıyıcı Profil Derinliđi / Transom Profile Depth	84 mm
Min. Cam Kalınlıđı / Min. Glazing Thickness	10 mm
Maks. Cam Kalınlıđı / Max. Glazing Thickness	45 mm
Min. Kanat Boyut / Min. Sash Dimension	150 - 40 mm
Maks. Kanat Boyut / Max. Sash Dimension	150 - 40 mm
Maks. Kanat Ađırlıđı / Max. Sash Weight	130 kg

#### UYGULAMA SEĐENEKLERİ / APPLICATION OPTIONS

- Kapaklı Cephe / Covered Facade
- Entegre Cephe / Integrated Facade
- Silikon Cephe / Silicone Facade
- Yarı Kapaklı Cephe / Semi - Covered Facade



PROFİL KESİTİ PROFILE SECTION	PROFİL KODU PROFILE CODE	PROFİL ADI PROFILE NAME	Jx cm <sup>4</sup>	Jy cm <sup>4</sup>	AĞIRLIK (kg/m) WEIGHT
	5100	DÜŞEY PROFİLİ VERTICAL PROFILE	25,15 cm <sup>4</sup>	21,97 cm <sup>4</sup>	1,610 kg/m
	5101	YATAY PROFİLİ HORIZONTAL PROFILE	23,58 cm <sup>4</sup>	28,31 cm <sup>4</sup>	1,723 kg/m
	5105	KAPAK PROFİLİ COVER PROFILE	5,81 cm <sup>4</sup>	21,25 cm <sup>4</sup>	0,824 kg/m
	5106	KAPAK PROFİLİ COVER PROFILE	34,78 cm <sup>4</sup>	37,13 cm <sup>4</sup>	1,258 kg/m
	5107	KAPAK PROFİLİ COVER PROFILE	72,65 cm <sup>4</sup>	175,19 cm <sup>4</sup>	2,309 kg/m
	5064-5066	KAPAKLI CEPHE İÇİ KASA PROFİLİ COVERED FACADE FRAME PROFILE	27,56 cm <sup>4</sup>	5,40 cm <sup>4</sup>	1,205 kg/m
	5065-5066	KAPAKLI CEPHE İÇİ KASA PROFİLİ COVERED FACADE FRAME PROFILE	37,26 cm <sup>4</sup>	5,40 cm <sup>4</sup>	1,250 kg/m
	5063-5066	KAPAKLI CEPHE İÇİ KASA PROFİLİ COVERED FACADE FRAME PROFILE	41,99 cm <sup>4</sup>	5,40 cm <sup>4</sup>	1,251 kg/m
	5064-5067	YARI KAPAKLI CEPHE İÇİ KASA PROFİLİ SEMI-COVERED FACADE FRAME PROFILE	25,62 cm <sup>4</sup>	5,46 cm <sup>4</sup>	1,169 kg/m
	5065-5067	YARI KAPAKLI CEPHE İÇİ KASA PROFİLİ SEMI-COVERED FACADE FRAME PROFILE	34,83 cm <sup>4</sup>	5,46 cm <sup>4</sup>	1,214 kg/m
	5063-5067	YARI KAPAKLI CEPHE İÇİ KASA PROFİLİ SEMI-COVERED FACADE FRAME PROFILE	39,33 cm <sup>4</sup>	5,46 cm <sup>4</sup>	1,215 kg/m
	5028	KASET PROFİLİ CASEDDE PROFILE	14,32 cm <sup>4</sup>	3,66 cm <sup>4</sup>	1,037 kg/m
	5088	KASET PROFİLİ CASEDDE PROFILE	14,72 cm <sup>4</sup>	3,63 cm <sup>4</sup>	1,027 kg/m
	5031	KASET PROFİLİ CASEDDE PROFILE	16,71 cm <sup>4</sup>	3,98 cm <sup>4</sup>	1,093 kg/m
	5062	KASET PROFİLİ CASEDDE PROFILE	10,08 cm <sup>4</sup>	3,91 cm <sup>4</sup>	0,918 kg/m
	5081	KASET PROFİLİ CASEDDE PROFILE	10,46 cm <sup>4</sup>	3,87 cm <sup>4</sup>	0,908 kg/m
	5093	KASET PROFİLİ CASEDDE PROFILE	8,86 cm <sup>4</sup>	3,21 cm <sup>4</sup>	0,766 kg/m
	5029-5030-12	YALITIMLI KASET PROFİLİ THERMAL BREAK CASEDDE PROFILE	20,07 cm <sup>4</sup>	4,50 cm <sup>4</sup>	1,250 kg/m
	13104-13105	YALITIMLI KASET PROFİLİ THERMAL BREAK CASEDDE PROFILE	22,01 cm <sup>4</sup>	5,74 cm <sup>4</sup>	1,327 kg/m
	13106-13105	TEK CAM YALITIMLI KASET PROFİLİ SINGLE GLAZING INSULATED CASEDDE PROFILE	15,50 cm <sup>4</sup>	1,55 cm <sup>4</sup>	1,014 kg/m
	13108-13109	SİSTEM GEÇİŞ ADAPTÖR PROFİLİ SYSTEM TRANSITION ADAPTER PROFILE	14,47 cm <sup>4</sup>	3,32 cm <sup>4</sup>	0,918 kg/m

PROFİL KESİTİ PROFILE SECTION	PROFİL KODU PROFILE CODE	PROFİL ADI PROFILE NAME	Jx cm <sup>4</sup>	Jy cm <sup>4</sup>	AĞIRLIK (kg/m) WEIGHT
	13100-13101	DUVAR BİTİŞ PROFİLİ WALL FINISH PROFILE	9,94 cm <sup>4</sup>	5,46 cm <sup>4</sup>	1,031 kg/m
	5056	TEK CAM VE SPANDREL PANEL KASET PROFİLİ SINGLE GLAZING VE SPANDREL PANEL CASEDEDE PROFILE	6,57 cm <sup>4</sup>	1,00 cm <sup>4</sup>	0,478 kg/m
	5060	ÇITA PROFİLİ BEAD PROFILE	-	-	0,172 kg/m
	5068	TEK CAM KASET PROFİLİ SINGLE GLAZING CASEDEDE PROFILE	7,65 cm <sup>4</sup>	1,11 cm <sup>4</sup>	0,634 kg/m
	5032	TEK CAM KASET PROFİLİ SINGLE GLAZING CASEDEDE PROFILE	11,42 cm <sup>4</sup>	1,30 cm <sup>4</sup>	0,727 kg/m
	5071	TEK CAM KASET PROFİLİ SINGLE GLAZING CASEDEDE PROFILE	13,54 cm <sup>4</sup>	1,47 cm <sup>4</sup>	0,783 kg/m
	13091	90° DIŞTAN KÖŞE DÖNÜŞ KAPAK PROFİLİ 90° CORNER COVER PROFILE	-	-	1,950 kg/m
	13092	90° KÖŞE DÖNÜŞ ÇITA PROFİLİ 90° CORNER BEAD PROFILE	-	-	0,117 kg/m
	13094	135° KÖŞE DÖNÜŞ ÇITA PROFİLİ 135° CORNER BEAD PROFILE	-	-	0,120 kg/m
	13097	90° İÇTEN KÖŞE DÖNÜŞ PROFİLİ 90° CORNER COVER PROFILE	-	-	1,779 kg/m
	13098	90° İÇTEN KÖŞE DÖNÜŞ BASKI PROFİLİ 90° CORNER COVER EXTENSION PROFILE	-	-	0,749 kg/m
	13099	90° İÇTEN KÖŞE DÖNÜŞ KAPAK PROFİLİ 90° CORNER COVER PROFILE	-	-	0,688 kg/m
	13096	135° KÖŞE DÖNÜŞ KAPAK PROFİLİ 135° CORNER COVER PROFILE	-	-	0,945 kg/m
	13095	135° KÖŞE DÖNÜŞ BASKI PROFİLİ 135° CORNER EXTENSION PROFILE	-	-	0,728 kg/m
	5104	KAPAK ALTI BASKI PROFİLİ SUB-COVER EXTENSION PROFILE	-	-	0,569 kg/m
	5102	KAPAK PROFİLİ COVER PROFILE	-	-	0,387 kg/m
	5103	KAPAK PROFİLİ COVER PROFILE	-	-	0,433 kg/m
	5097	YÜKSELTME ÇITA PROFİLİ EXTENSION BEAD PROFILE	-	-	0,198 kg/m
	5059	YÜKSELTME ÇITA PROFİLİ EXTENSION BEAD PROFILE	-	-	0,210 kg/m
	13102	YÜKSELTME ÇITA PROFİLİ EXTENSION BEAD PROFILE	-	-	0,250 kg/m
	13103	YÜKSELTME ÇITA PROFİLİ EXTENSION BEAD PROFILE	-	-	0,309 kg/m

PROFİL KESİTİ PROFILE SECTION	PROFİL KODU PROFILE CODE	PROFİL ADI PROFILE NAME	Jx cm <sup>4</sup>	Jy cm <sup>4</sup>	AĞIRLIK (kg/m) WEIGHT
	5113	CAM ALTI TAKOZ PROFİLİ SUB-GLAZING WEDGE PROFILE	-	-	0,282 kg/m
	6115	TEK CAM SPACER PROFİLİ SINGLE GLAZING SPACER PROFILE	-	-	0,411 kg/m
	6116	PANEL SPACER PROFİLİ PANEL SPACER PROFILE	-	-	0,530 kg/m
	5024	KASET TESPİT PROFİLİ CASETTE BRACKET PROFILE	-	-	0,323 kg/m
	5079	KASET TESPİT PROFİLİ CASETTE PROFILE	-	-	0,613 kg/m
	5094	KASET TESPİT PROFİLİ CASETTE BRACKET PROFILE	-	-	0,346 kg/m
	5026	CAM ALTI DESTEK PROFİLİ SUB-GLAZING HOLDER PROFILE	-	-	0,233 kg/m
	5057	CAM ALTI DESTEK PROFİLİ SUB-GLAZING HOLDER PROFILE	-	-	0,248 kg/m
	8241	TİJ PROFİLİ STEM BAR PROFILE	-	-	0,099 kg/m
	1122	TİJ PROFİLİ STEM BAR PROFILE	-	-	0,158 kg/m
	5027	CAM YAPIŞTIRMA PROFİLİ GLAZING BONDING PROFILE	-	-	0,128 kg/m
	5036	KASET ALTI KİLİT PROFİLİ SUB-CASETTE LOCK PROFILE	-	-	0,339 kg/m
	5037	KASET ÜST KİLİT PROFİLİ UPPER-CASETTE LOCK PROFILE	-	-	0,340 kg/m
	6117	20 mm ÖZEL ISICAM ÇİTA PROFİLİ 20 mm SPECIAL DOUBLE GLAZING BEAD PROFILE	-	-	0,254 kg/m
	1662	KÖŞE TAKOZ PROFİLİ CORNER WEDGE PROFILE	-	-	2,576 kg/m
	5022	KÖŞE TAKOZ PROFİLİ CORNER WEDGE PROFILE	-	-	2,245 kg/m
	2046	KÖŞE TAKOZ PROFİLİ CORNER WEDGE PROFILE	-	-	2,091 kg/m
	2371	KÖŞE TAKOZ PROFİLİ CORNER WEDGE PROFILE	-	-	2,241 kg/m
	1695	KÖŞE TAKOZ PROFİLİ CORNER WEDGE PROFILE	-	-	2,540 kg/m
	1533	KÖŞE TAKOZ PROFİLİ CORNER WEDGE PROFILE	-	-	0,566 kg/m

AKSESUAR ACCESSORY	STOK KODU REFERENCE CODE	AKSESUAR ADI DESCRIPTION	AKSESUAR KODU PRODUCT CODE	PAKET PACK
	AKS1237	CEPHE CAM FİTİLİ (3 mm) FACADE GLAZING GASKET (3 mm)	FS65-CF.03	169 mt / paket 10 kg
	AKS1238	CEPHE CAM FİTİLİ (4 mm) FACADE GLAZING GASKET (4 mm)	FS65-CF.04	145 mt / paket 10 kg
	AKS1239	CEPHE CAM FİTİLİ (5 mm) FACADE GLAZING GASKET (5 mm)	FS65-CF.05	120 mt / paket 10 kg
	AKS1241	CEPHE CAM FİTİLİ (6 mm) FACADE GLAZING GASKET (6 mm)	FS65-CF.06	105 mt / paket 10 kg
	AKS1242	CEPHE CAM FİTİLİ (7 mm) FACADE GLAZING GASKET (7 mm)	FS65-CF.07	95 mt / paket 10 kg
	AKS1243	CEPHE CAM FİTİLİ (8 mm) FACADE GLAZING GASKET (8 mm)	FS65-CF.08	85 mt / paket 10 kg
	AKS1244	CEPHE CAM FİTİLİ (9 mm) FACADE GLAZING GASKET (9 mm)	FS65-CF.09	80 mt / paket 10 kg
	AKS1320	CEPHE CAM FİTİLİ (10 mm) FACADE GLAZING GASKET (10 mm)	FS65-CF.10	75 mt / paket 10 kg
	AKS1245	CEPHE CAM FİTİLİ (11 mm) FACADE GLAZING GASKET (11 mm)	FS65-CF.11	70 mt / paket 10 kg
	AKS1246	CEPHE CAM FİTİLİ (12 mm) FACADE GLAZING GASKET (12 mm)	FS65-CF.12	65 mt / paket 10 kg

AKSESUAR ACCESSORY	STOK KODU REFERENCE CODE	AKSESUAR ADI DESCRIPTION	AKSESUAR KODU PRODUCT CODE	PAKET PACK
	AKS1247	CEPHE CAM FİTİLİ (13 mm) FACADE GLAZING GASKET ( 13 mm)	FS65-CF.13	60 mt / paket 10 kg
	AKS1248	CEPHE CAM FİTİLİ (14 mm) FACADE GLAZING GASKET ( 14 mm)	FS65-CF.14	65 mt / paket 10 kg
	AKS1249	CEPHE CAM FİTİLİ (15 mm) FACADE GLAZING GASKET ( 15 mm)	FS65-CF.15	45 mt / paket 10 kg
	AKS1250	CEPHE CAM FİTİLİ (16 mm) FACADE GLAZING GASKET ( 16 mm)	FS65-CF.16	43 mt / paket 10 kg
	AKS1252	CEPHE CAM FİTİLİ (18 mm) FACADE GLAZING GASKET (18 mm)	FS65-CF.18	42 mt / paket 10 kg
	AKS1289	KAPAK ALTI DIŞ CAM FİTİLİ UNDER COVER OUTHER GLAZING GASKET	FS65-KF.30	135 mt / paket 10 kg
	AKS1290	KAPAK ALTI DIŞ CAM FİTİLİ UNDER COVER OUTHER GLAZING GASKET	FS65-KF.50	105 mt / paket 10 kg
	AKS7114	CEPHE ORTA BASKI FİTİLİ (4 mm) CENTER PRESSURE GASKET (4 mm)	FS65-MF.03	180 mt / paket 10 kg/mt
	AKS1387	CEPHE ORTA BASKI FİTİLİ (5 mm) CENTER PRESSURE GASKET (5 mm)	FS65-MF.04	146 mt / paket 10 kg/mt
	AKS1388	CEPHE ORTA BASKI FİTİLİ (6 mm) CENTER PRESSURE GASKET (6 mm)	FS65-MF.05	130 mt / paket 10 kg/mt

AKSESUAR ACCESSORY	STOK KODU REFERENCE CODE	AKSESUAR ADI DESCRIPTION	AKSESUAR KODU PRODUCT CODE	PAKET PACK
	AKS1383	CEPHE ORTA BASKI FİTİLİ (7 mm) CENTER PRESSURE GASKET (7 mm)	FS65-MF.06	100 mt / paket 10 kg/mt
	AKS1386	CEPHE ORTA BASKI FİTİLİ (8 mm) CENTER PRESSURE GASKET (8 mm)	FS65-MF.07	100 mt / paket 10 kg/mt
	AKS1307	CEPHE ORTA BASKI FİTİLİ (9 mm) CENTER PRESSURE GASKET (9 mm)	FS65-MF.08	94 mt / paket 10 kg/mt
	AKS1384	CEPHE ORTA BASKI FİTİLİ (10 mm) CENTER PRESSURE GASKET (10 mm)	FS65-MF.09	88 mt / paket 10 kg/mt
	AKS7176	CEPHE ISI İZOLATÖR FİTİLİ (3 mm) FACADE THERMAL INSULATOR GASKET (3 mm)	FS65-IF.03	212 mt / paket 10 kg/mt
	AKS1378	CEPHE ISI İZOLATÖR FİTİLİ (4 mm) FACADE THERMAL INSULATOR GASKET (4 mm)	FS65-IF.04	178 mt / paket 10 kg/mt
	AKS7177	CEPHE ISI İZOLATÖR FİTİLİ (5 mm) FACADE THERMAL INSULATOR GASKET (5 mm)	FS65-IF.05	153 mt / paket 10 kg/mt
	AKS1379	CEPHE ISI İZOLATÖR FİTİLİ (6 mm) FACADE THERMAL INSULATOR GASKET (6 mm)	FS65-IF.06	130 mt / paket 10 kg/mt
	AKS1380	CEPHE ISI İZOLATÖR (7 mm) FACADE THERMAL INSULATOR GASKET (7 mm)	FS65-IF.07	120 mt / paket 10 kg/mt
	AKS7178	CEPHE ISI İZOLATÖR (9 mm) FACADE THERMAL INSULATOR GASKET (9 mm)	FS65-IF.09	96 mt / paket 10 kg/mt






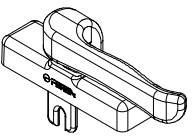
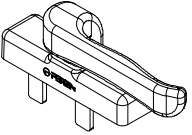
AKSESUAR ACCESSORY	STOK KODU REFERENCE CODE	AKSESUAR ADI DESCRIPTION	AKSESUAR KODU PRODUCT CODE	PAKET PACK
	AKS1446	KAMA FİTİLİ (2 MM) DERZ GASKET(2 mm)	FS65-KMF.02	250 mt / paket 10 kg/mt
	AKS1280	CEPHE İÇİ KASA DERZ FİTİLİ DERZ GASKET (8 mm)	FS65-KTF.20	175 mt / paket 10 kg/mt
	AKS1294	CEPHE GİZLİ KANAT KASA FİTİLİ SASH-FRAME GASKET	FS65-KYF.10	115 mt / paket 10 kg/mt
	AKS1261	CEPHE İÇİ KASET DERZ FİTİLİ DERZ GASKET	FS65-TF.20	140 mt / paket 10 kg/mt
	AKS1262	CEPHE İÇİ KASET DERZ FİTİLİ DERZ GASKET	FS65-TF.40	120 mt / paket 10 kg/mt
	AKS1375	KASA BİNİ FİTİLİ FRAME MOUNTING GASKET	FS65-KYF.03	215 mt / paket 10 kg/mt
	AKS7179	YARI KAPAKLI CEPHE DÜŞEY FİTİLİ VERTICAL GASKET	FS65-YKF.50	... mt / paket 10 kg/mt
	AKS1305	ORTA BASKI FİTİLİ (KASETLİ CEPHE) CENTER EXTENSION GASKET (STRUCTURAL FACADE)	FS65-OYF.30	50 mt / paket 10 kg/mt
	AKS1304	AÇILI ORTA BASKI FİTİLİ (KASETLİ CEPHE) ANGLED MIDDLE EXTENSION GASKET	FS65-OYF.40	145 mt / paket 10 kg/mt
	AKS1268	ENTEĞRE CEPHE DIŞ CAM FİTİLİ INTEGRATED FACADE OUTSIDE GLAZING GASKET	FS65-STF.30	159 mt / paket 10 kg/mt

AKSESUAR ACCESSORY	STOK KODU REFERENCE CODE	AKSESUAR ADI DESCRIPTION	AKSESUAR KODU PRODUCT CODE	PAKET PACK
	AKS473	CEPHE ISI İZOLATÖR (6 mm) FACADE THERMAL INSULATOR (6 mm)	FS65-PLS.06	125 mt / 25 boy
	AKS470	PVC İZOLATÖR PROFİLİ (7,9 MM) PVC INSULATOR PROFILE (7,9 mm)	FS65-İZ.79	125 mt / 25 boy
	AKS7181	PVC İZOLATÖR PROFİLİ (8,9 MM) PVC INSULATOR PROFILE (8,9 mm)	FS65-İZ.89	125 mt / 25 boy
	AKS7182	PVC İZOLATÖR PROFİLİ (10,9 MM) PVC INSULATOR PROFILE (10,9 mm)	FS65-İZ.109	125 mt / 25 boy
	AKS7183	PVC İZOLATÖR PROFİLİ (11,9 MM) PVC INSULATOR PROFILE (11,9 mm)	FS65-İZ.119	125 mt / 25 boy
	AKS7184	PVC İZOLATÖR PROFİLİ (12,9 MM) PVC INSULATOR PROFILE (12,9 mm)	FS65-İZ.129	125 mt / 25 boy
	AKS7185	PVC İZOLATÖR PROFİLİ (13,9 MM) PVC INSULATOR PROFILE (13,9 mm)	FS65-İZ.139	125 mt / 25 boy
	AKS4148	CEPHE ISI İZOLATÖR (12 mm) FACADE THERMAL INSULATOR (12 mm)	FS65-PLS.12	125 mt / 25 boy
	AKS4149	CEPHE ISI İZOLATÖR (18 mm) FACADE THERMAL INSULATOR (18 mm)	FS65-PLS.18	125 mt / 25 boy
	AKS472	CEPHE ISI İZOLATÖR (20 mm) FACADE THERMAL INSULATOR (20 mm)	FS65-PLS.20	125 mt / 25 boy

ÖLÇEK:1/2

AKSESUAR ACCESSORY	STOK KODU REFERENCE CODE	AKSESUAR ADI DESCRIPTION	AKSESUAR KODU PRODUCT CODE	PAKET PACK
	AKS474	CEPHE ISI İZOLATÖR 24 mm) FACADE THERMAL INSULATOR (24 mm)	FS50-PLS.24	125 mt / 25 boy
	AKS1483	CEPHE KÖŞE VULKANİZE FİTİL SAĞ/SOL (CF.09+CF.03) FACADE CORNER VULCANIZE GASKET RIGHT/LEFT (CF.09+CF.03)	FS65-CVK.93	40 tk / paket
	AKS1484	CEPHE KÖŞE VULKANİZE FİTİL SAĞ/SOL (CF.10+CF.04) FACADE CORNER VULCANIZE GASKET RIGHT/LEFT (CF.10+CF.04)	FS65-CVK.104	40 tk / paket
	AKS1485	CEPHE KÖŞE VULKANİZE FİTİL SAĞ/SOL (CF.11+CF.05) FACADE CORNER VULCANIZE GASKET RIGHT/LEFT (CF.11+CF.05)	FS65-CVK.115	40 tk / paket
	AKS1486	CEPHE KÖŞE VULKANİZE FİTİL SAĞ/SOL (CF.12+CF.06) FACADE CORNER VULCANIZE GASKET RIGHT/LEFT (CF.12+CF.06)	FS65-CVK.126	40 tk / paket
	AKS1487	CEPHE KÖŞE VULKANİZE FİTİL SAĞ/SOL (CF.13+CF.07) FACADE CORNER VULCANIZE GASKET RIGHT/LEFT (CF.13+CF.07)	FS65-CVK.137	40 tk / paket
	AKS1488	CEPHE KÖŞE VULKANİZE FİTİL SAĞ/SOL (CF.14+CF.08) FACADE CORNER VULCANIZE GASKET RIGHT/LEFT (CF.14+CF.08)	FS65-CVK.148	40 tk / paket
	AKS1489	CEPHE KÖŞE VULKANİZE FİTİL SAĞ/SOL (CF.15+CF.09) FACADE CORNER VULCANIZE GASKET RIGHT/LEFT (CF.15+CF.09)	FS65-CVK.159	40 tk / paket
	AKS7288	CEPHE KÖŞE VULKANİZE FİTİL SAĞ/SOL (CF.18+CF.12) FACADE CORNER VULCANIZE GASKET RIGHT/LEFT (CF.18+CF.12)	FS65-CVK.1812	40 tk / paket
	AKS1490	CEPHE KÖŞE VULKANİZE FİTİL SAĞ/SOL (TF.20+TF.20) FACADE CORNER VULCANIZE GASKET RIGHT/LEFT (TF.20+TF.20)	FS65-CVK.20	40 tk / paket

AKSESUAR ACCESSORY	STOK KODU REFERENCE CODE	AKSESUAR ADI DESCRIPTION	AKSESUAR KODU PRODUCT CODE	PAKET PACK
	AKS1491	CEPHE KÖŞE VULKANİZE FİTİL SAĞ/SOL (TF.40+TF.40) FACADE CORNER VULCANIZE GASKET RIGHT/LEFT (TF.40+TF.40)	FS65-CVK.40	40 tk / paket
	AKS744	AYARLI PİM KARŞILIK ADJUSTABLE PIN OPPOSITE	FS65-CSK.205	100 ad / paket
	AKS754	CEPHE DÜZ KARŞILIK STRAIGHT OPPOSITE	FS65-CSK.206	100 ad / paket
	AKS7289	AYARLI TİJ PİM ADJUSTABLE STEM BAR PIN	FS65-AP.89	100 ad / paket
	AKS7972	KARŞILIK ALTI BESLEME SUB-OPPOSITE FEED	FS65-CKB.207	100 ad / paket
	AKS739	TİJ PİMİ STEM BAR PIN	FS65-IP.100	100 ad / paket
	AKS646	CEPHE MAKASI (10") FRICTION STAY (10")	FS65-CMW.646	6 tk / 1 paket
	AKS647	CEPHE MAKASI (12") FRICTION STAY (12")	FS65-CMW.647	
	AKS648	CEPHE MAKASI (14") FRICTION STAY (14")	FS65-CMW.648	
	AKS649	CEPHE MAKASI (16") FRICTION STAY (16")	FS65-CMW.649	
	AKS650	CEPHE MAKASI (18") FRICTION STAY (18")	FS65-CMW.650	
	AKS651	CEPHE MAKASI (20") FRICTION STAY (20")	FS65-CMW.651	
	AKS652	CEPHE MAKASI (22") FRICTION STAY (22")	FS65-CMW.652	
	AKS653	CEPHE MAKASI (24") FRICTION STAY (24")	FS65-CMW.653	
	AKS644	AYARLI KADEMELİ MAKAS (3 KADEME) ÇELİK ADJUSTABLE (3) STEEL	FS65-AKM.644	5 ad / paket
	AKS645	AYARLI KADEMELİ MAKAS (5 KADEME) ÇELİK ADJUSTABLE (5) STEEL	FS65-AKM.645	

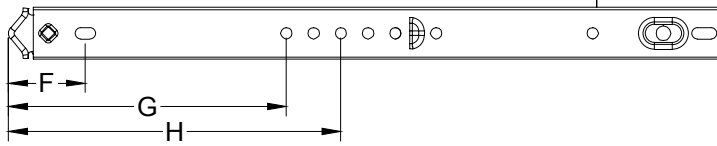
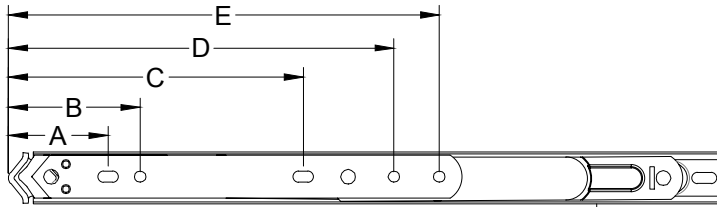
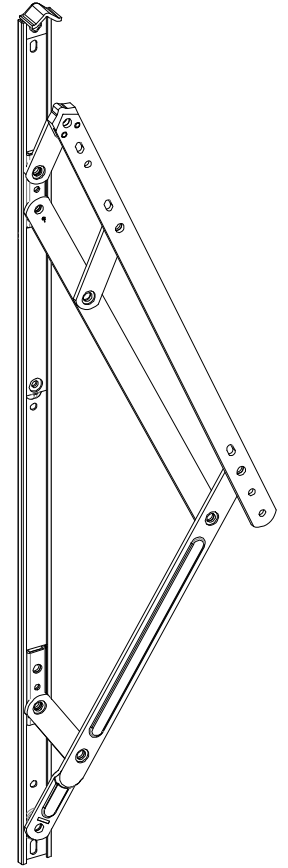
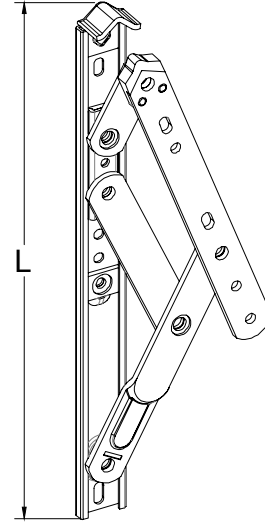
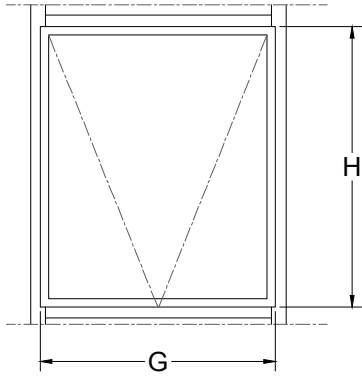
AKSESUAR ACCESSORY	STOK KODU REFERENCE CODE	AKSESUAR ADI DESCRIPTION	AKSESUAR KODU PRODUCT CODE	PAKET PACK
	AKS500	AYARLI KADEMELİ MAKAS (3 KADEME) SAC ADJUSTABLE (3 LEVEL) STEEL	FS65-AKM.499	10 ad / paket
	AKS499	AYARLI KADEMELİ MAKAS (5 KADEME) SAC ADJUSTABLE (5 LEVEL) STEEL	FS65-AKM.500	
	AKS642	SINIRLANDIRICI ÇELİK MAKAS 160 GRADER STEEL TRUSS-160	FS65-SM.642	10 ad / paket
	AKS643	SINIRLANDIRICI ÇELİK MAKAS 220 GRADER STEEL TRUSS-200	FS65-SM.643	
	AKS4265	HAREKET TRANSFER KÖŞE PARÇASI DYNAMIC TRANSFER CORNER PIECE	FS65-KIT.162	1 ad / paket
	AKS7290	CEPHE GEARBOX FACADE GEARBOX	FS65-CG.7290	1 ad / paket
	AKS755	TİJ BAĞLANTI PARÇASI STEM BAR CONNECTION PIECE	FS65-ÇDB.222	1 ad / paket
	AKS7291	TEK YÖNLÜ İLETİM GÖVDESİ STEM BAR CONNECTION PIECE	FS65-TYG.65	1 ad / paket
	AKS137	FORZA BÜKÜMLÜ CEPHE KOLU SLOTLU (NATUREL) FORZA FACADE HANDLE (NATURAL)	FS65-FCK.880	1 ad / paket
	AKS138	FORZA BÜKÜMLÜ CEPHE KOLU SLOTLU (BEYAZ) FORZA FACADE HANDLE (WHITE)	FS65-FCK.881	
	AKS139	FORZA BÜKÜMLÜ CEPHE KOLU SLOTLU (SİYAH) FORZA FACADE HANDLE (BLACK)	FS65-FCK.882	
	AKS140	FORZA BÜKÜMLÜ CEPHE KOLU MAÇALI (NATUREL) FORZA FACADE HANDLE (NATURAL)	FS65-FCK.883	1 ad / paket
	AKS141	FORZA BÜKÜMLÜ CEPHE KOLU MAÇALI (BEYAZ) FORZA FACADE HANDLE (WHITE)	FS65-FCK.884	
	AKS142	FORZA BÜKÜMLÜ CEPHE KOLU MAÇALI (SİYAH) FORZA FACADE HANDLE (BLACK)	FS65-FCK.885	
	AKS135	FORZA EFOR CEPHE KOLU SLOTLU (NATUREL) FORZA EFOR FACADE HANDLE SINGLE LATCH (NATURAL)	FS65-FEK.135	1 ad / paket
	AKS134	FORZA EFOR CEPHE KOLU SLOTLU (BEYAZ) FORZA EFOR FACADE HANDLE SINGLE LATCH (WHITE)	FS65-FEK.134	
	AKS136	FORZA EFOR CEPHE KOLU SLOTLU (SİYAH) FORZA EFOR FACADE HANDLE SINGLE LATCH (BLACK)	FS65-FEK.136	
	AKS131	FORZA EFOR CEPHE KOLU MAÇALI (NATUREL) FORZA EFOR FACADE HANDLE (NATURAL)	FS65-FEK.131	1 ad / paket
	AKS132	FORZA EFOR CEPHE KOLU MAÇALI (BEYAZ) FORZA EFOR FACADE HANDLE (WHITE)	FS65-FEK.132	
	AKS133	FORZA EFOR CEPHE KOLU MAÇALI(SİYAH) FORZA EFOR FACADE HANDLE (BLACK)	FS65-FEK.133	

AKSESUAR ACCESSORY	STOK KODU REFERENCE CODE	AKSESUAR ADI DESCRIPTION	AKSESUAR KODU PRODUCT CODE	PAKET PACK
	AKS7292	YİHAL DİPA AÇILIR KİLİTLİ CEPHE KOLU IMPORTED BLOCK TOP-HUNG CREMONE	FS65-SKL.7292	1 ad / paket
	AKS7293	YİHAL SAĞ KIVRIK CEPHE KOLU IMPORTED OFFSET FACADE HANDLE (RIGHT)	FS65-SKV.7293	1 ad / paket
	AKS7294	YİHAL SOL KIVRIK CEPHE KOLU IMPORTED OFFSET FACADE HANDLE (LEFT)	FS65-SKV.7294	
	AKS7296	YİHAL ÇİFT DİLLİ SÖKÜLEBİLİR KOL MANİPETİ IMPORTED FACADE HANDLE	FS65-SKM.7296	1 ad / paket
	AKS7297	YİHAL TAK-ÇIKAR KOL IMPORTED DETACHABLE HANDLE	FS65-TCK.7297	1 ad / paket
	AKS119	MAFSALLI SİYAHON CEPHE KOLU FACADE STRUCTURAL FACADE HANDLE	FS65-MK.119	1 ad / paket
	AKS4174	MAFSALLI KAPAKLI CEPHE KOLU FACADE COVERED HANDLE	FS65-MK.4174	
	AKS7831	SINIRLAYICI GRADER STEEL TRUSS	FS65-SM.7831	1 ad / paket
	AKS7832	PLEXSUS KOL PLEXSUS HANDLE	FS65-PCK.7832	1 ad / paket
	AKS7298	G-U SECURISTYLE CEPHE MAKASI (10") G-U SECURISTYLE FACADE TRUSS (10")	FS65-GSM.7298	6 tk / 1 paket
	AKS7973	G-U SECURISTYLE CEPHE MAKASI (12") G-U SECURISTYLE FACADE TRUSS (12")	FS65-GSM.7973	
	AKS7974	G-U SECURISTYLE CEPHE MAKASI (16") G-U SECURISTYLE FACADE TRUSS (16")	FS65-GSM.7974	
	AKS7975	G-U SECURISTYLE CEPHE MAKASI (22") G-U SECURISTYLE FACADE TRUSS (22")	FS65-GSM.7975	
	AKS7976	G-U SECURISTYLE CEPHE MAKASI (26") G-U SECURISTYLE FACADE TRUSS (26")	FS65-GSM.7976	
	AKS7299	G-U CEPHE MAKAS AYARLAYICI G-U ADJUSTABLE TRUSS	FS65-GCM.7299	1 ad / paket
	AKS7300	G-U SINIRLANDIRICI MAKAS G-U GRADER TRUSS	FS65-GSM.7300	1 ad / paket

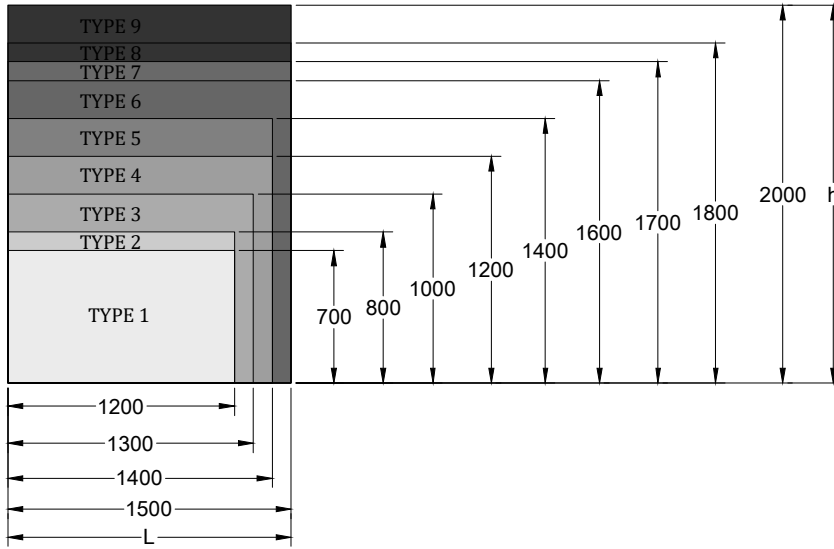
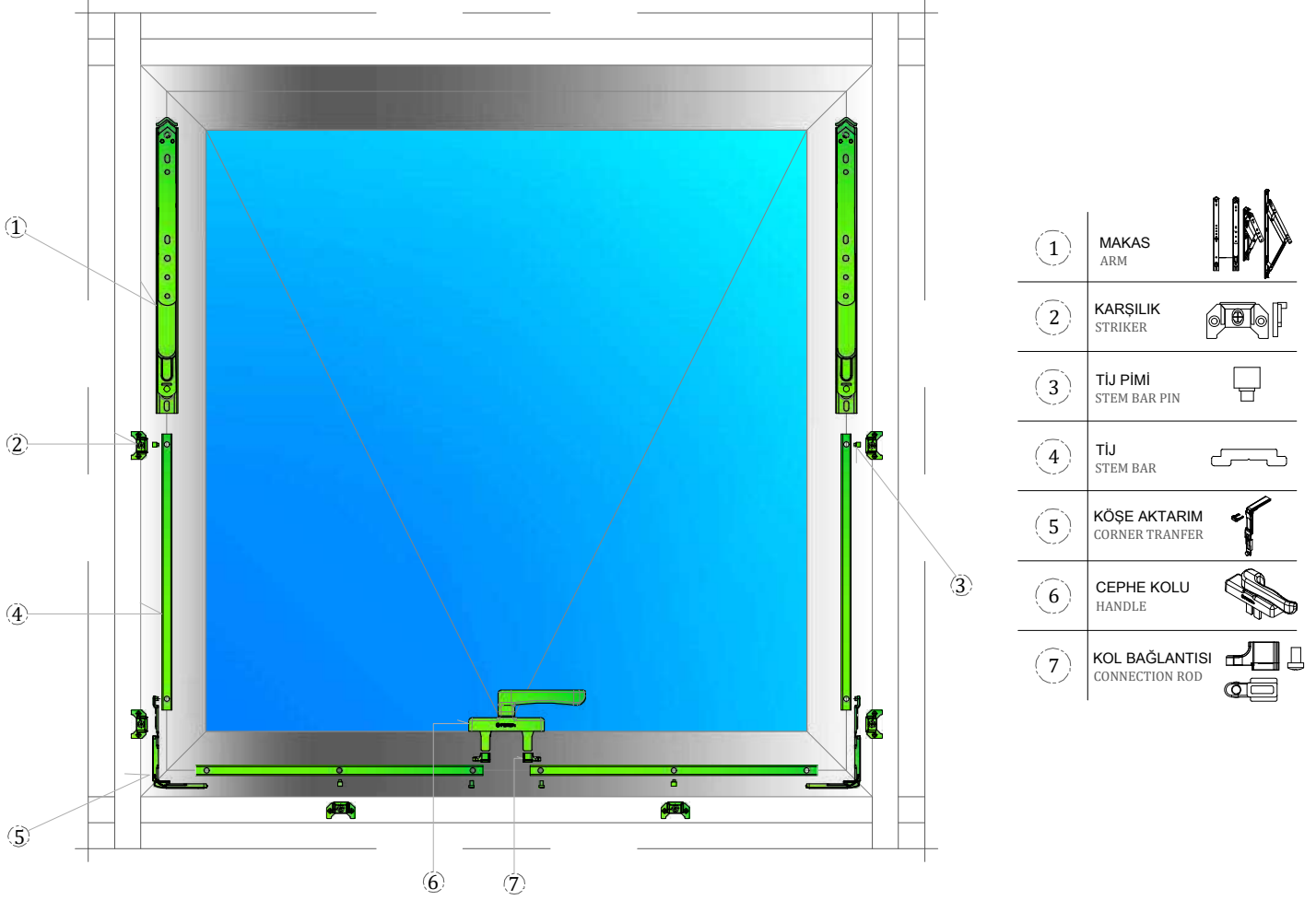
AKSESUAR ACCESSORY	STOK KODU REFERENCE CODE	AKSESUAR ADI DESCRIPTION	AKSESUAR KODU PRODUCT CODE	PAKET PACK
	AKS7301	G-U DÜZ KARŞILIK G-U STRAIGHT OPPOSITE	FS65-GDK.7301	1 ad / paket
	AKS7302	G-U KÖPE TRANSFER BAĐLANTI PARÇASI G-U CORNER TRANSFER CONNECTION PART	FS65-GKT.7302	1 ad / paket
	AKS7303	G-U TÝV KÝÝTLEME PARÇASI G-U STEM BAR LOCKING PART	FS50-GKP.7303	1 ad / paket
	AKS7304	G-U MAÇALI CEPHE KOLU G-U FACADE HANDLE	FS65-GMK.7304	1 ad / paket
	AKS6121	CAM ARASI KLÝPS GLAZING BETWEEN CLIP	FS65-CAK.180	100 ad / paket
	AKS810	CAM ÇITA PVC KÖPE BAĐLANTISI GLAZING BEAD PVC CORNER CONNECTION	FS65-EC.138	1000 ad / paket
	AKS7306	ÝLBRUCK FS550 DERZ SÝYKONU FS550 ILLBRUCK JOINT SILICONE	FS65-IDS.7306	25 ad / paket
	AKS7307	ÝLBRUCK ME220 1 MM EPDM MEMBRAN ME220 ILLBRUCK 1 MM EPDM MEMBRANE	FS65-IMB.7307	900 mt / paket
	AKS7308	ÝLBRUCK OTO15 EPDM MEMBRAN YAPIŐTIRICI OTO15 ILLBRUCK EPDM MEMBRAN ADHESIVE	FS65-IMB.7308	12 ad / paket
	AKS1440	POLÝURETAN DOLGU SOSŐS(10mm) POLYURETHANE FILLED GROUTING (10 mm)	FS65-PDS.10	900 mt / paket
	AKS1441	POLÝURETAN DOLGU SOSŐS(15mm) POLYURETHANE FILLED GROUTING (15 mm)	FS65-PDS.15	450 mt / paket
	AKS1442	POLÝURETAN DOLGU SOSŐS(20mm) POLYURETHANE FILLED GROUTING (20 mm)	FS65-PDS.20	270 mt / paket

AKSESUAR ACCESSORY	STOK KODU REFERENCE CODE	AKSESUAR ADI DESCRIPTION	AKSESUAR KODU PRODUCT CODE	PAKET PACK
	AKS2292	Ø4.2X16 mm YHB M.U.V SAC VİDA Ø4.2X16 mm SELF DRILLING STRAIGHT TOP SCREW	FS65-SC.937	250 ad / paket
	AKS2347	Ø4.8X25 mm YSB SAC VİDA Ø4.8X25 mm CURVED TOP SCREW	FS65-SC.937	250 ad / paket
	AKS2348	Ø4.8X32 mm YSB SAC VİDA Ø4.8X32 mm CURVED TOP SCREW	FS65-SC.938	250 ad / paket
	AKS2349	Ø4.8X38 mm YSB SAC VİDA Ø4.8X32 mm CURVED TOP SCREW	FS65-SC.939	250 ad / paket
	AKS2350	Ø4.8X45 mm YSB SAC VİDA Ø4.8X32 mm CURVED TOP SCREW	FS65-SC.940	250 ad / paket
	AKS2351	Ø4.8X50 mm YSB SAC VİDA Ø4.8X32 mm CURVED TOP SCREW	FS65-SC.941	250 ad / paket
	AKS2352	Ø4.8X60 mm YSB SAC VİDA Ø4.8X32 mm CURVED TOP SCREW	FS65-SC.942	250 ad / paket

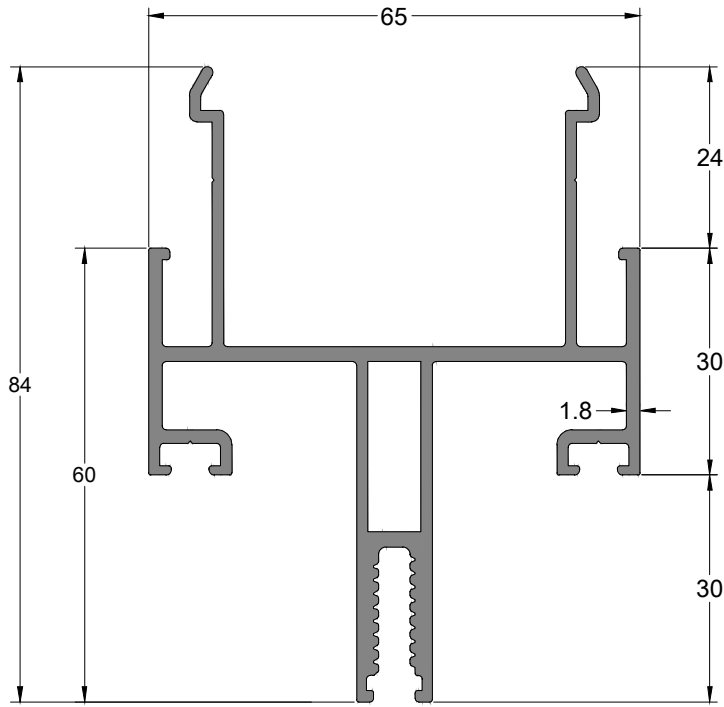
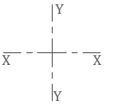


**CEPHE MAKASI MONTAJ ÖLÇÜLERİ**  
 FRICTION STAY ASSEMBLY DIMENSIONS


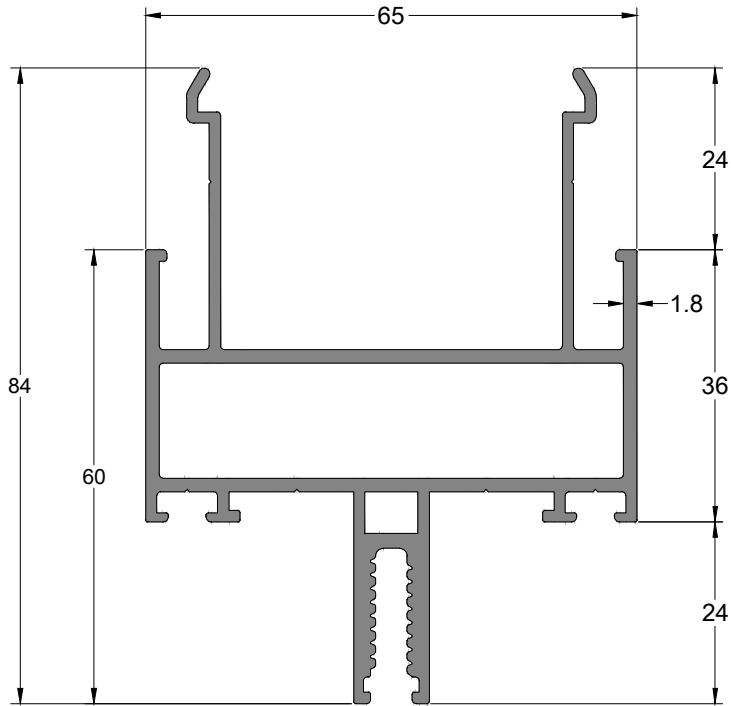
MONTAJ ÖLÇÜLERİ (mm) INSTALLATION DIMENSIONS (mm)											TEKNİK PARAMETRELER TECHNICAL PARAMETERS			
STOK KODU REFERENCE CODE	MAKAS BOYU (L) TRUSS SIZE	A	B	C	D	E	F	G	H	I	MAKS AÇMA DERECESİ MAX OPENING ANGLE	MAKS YÜKSEKLİK MAX HEIGHT	MAKS GENİŞLİK MAX WIDTH	MAKS AĞIRLIK MAX WEIGHT
AKS646	10"	47	61	106	146	167	34	95	119	250	30°	700 mm	1200 mm	50 kg
AKS647	12"	44	58	130	170	190	34	189	258	307	30° / 35°	800 mm	1200 mm	60 kg
AKS648	14"	45	59	155	195	216	34	192	295	343	30° / 35°	1000 mm	1300 mm	70 kg
AKS649	16"	44	58	188	227	248	34	309	355	403	25° / 30°	1200 mm	1400 mm	85 kg
AKS650	18"	43	57	98	221	261	33	x	399	446	25° / 30°	1400 mm	1400 mm	100 kg
AKS651	20"	44	58	99	249	289	34	318	453	501	20° / 25°	1600 mm	1500 mm	130 kg
AKS652	22"	44	58	99	279	319	34	364	499	547	20° / 25°	1700 mm	1500 mm	135 kg
AKS653	24"	44	58	99	300	340	34	410	545	593	20° / 25°	1800 mm	1500 mm	140 kg
AKS654	28"	44	58	99	363	403	34	515	650	698	20°	2000 mm	1500 mm	155 kg

**KANAT KİLİTLEME AKSESUARLARI**  
 SASH LOCKING ACCESSORIES


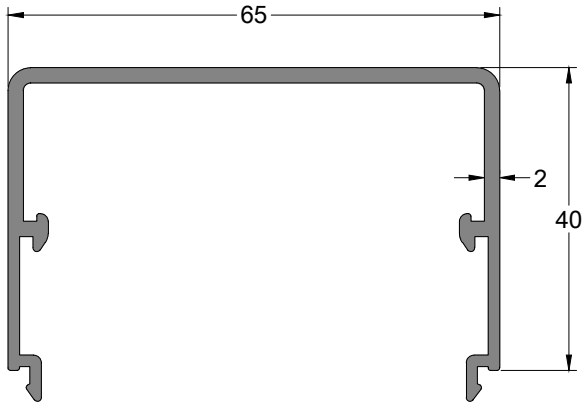
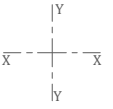
TİP TYPE	MAKAS ARM	CEPHE KOLU HANDLE	KOL BAĞLANTISI CONNECTION ROD	KARŞILIK STRIKER	PİM PIN	KANAT YAN TAKOZ SUPPORT BLOCK	ÜST KİLİTLEME BURGLAR BOLT	KÖŞE AKTARIM CORNER TRANSFER	LİMİTLEME MAKASI LASER ARM
1	AKS646	1 adet	2 adet	2 adet	2 adet	2 adet			
2	AKS647	1 adet	2 adet	2 adet	2 adet	2 adet			
3	AKS648	1 adet	2 adet	2 adet	2 adet	2 adet	2 adet		
4	AKS649	1 adet	2 adet	2 adet	2 adet	2 adet	2 adet		
5	AKS650	1 adet	2 adet	4 adet	4 adet	2 adet	2 adet	2 adet	
6	AKS651	1 adet	2 adet	4 adet	4 adet	2 adet	2 adet	2 adet	
7	AKS652	1 adet	2 adet	6 adet	6 adet	2 adet	2 adet	2 adet	
8	AKS653	1 adet	2 adet	6 adet	6 adet	2 adet	2 adet	2 adet	
9	AKS654	1 adet	2 adet	6 adet	6 adet	2 adet	2 adet	2 adet	1 adet



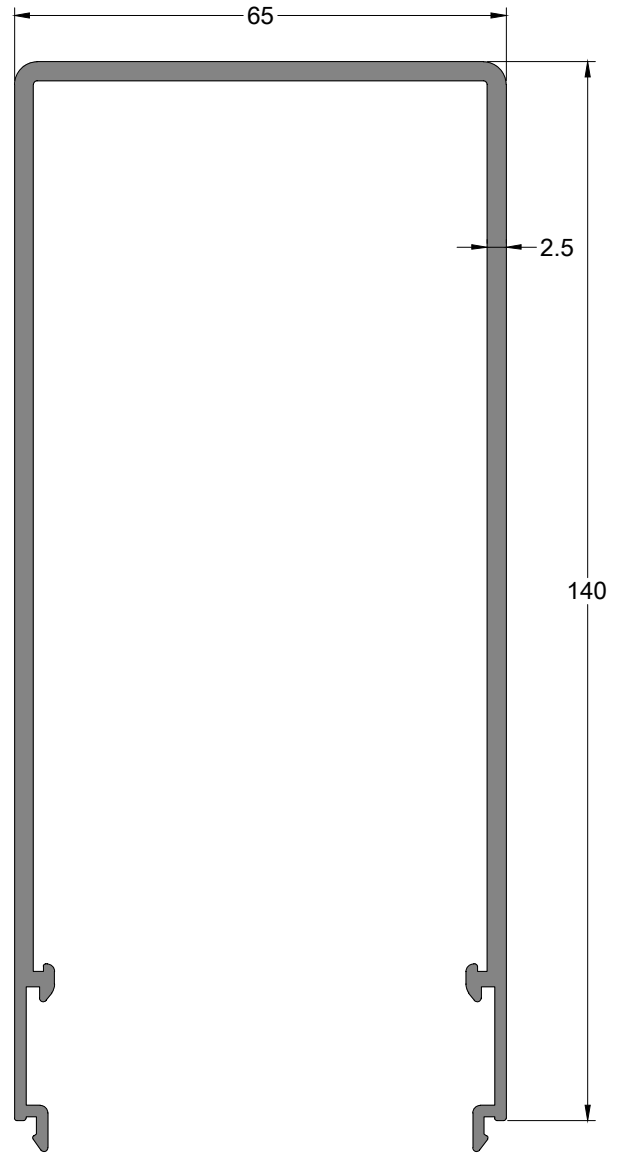
Düşey Profil	Profil Kodu	(kg/mt)	Jx cm <sup>4</sup>	Jy cm <sup>4</sup>
VERTICAL PROFILE	Profile Code	weight		
	5100	1,610	21,97	25,15



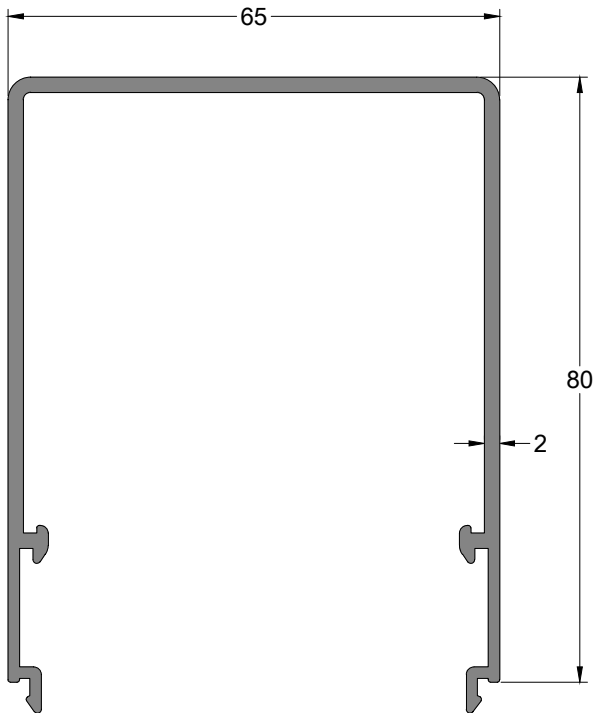
Yatay Profil	Profil Kodu	(kg/mt)	Jx cm <sup>4</sup>	Jy cm <sup>4</sup>
TRANSOM PROFILE	Profile Code	weight		
	5101	1,723	23,58	28,31



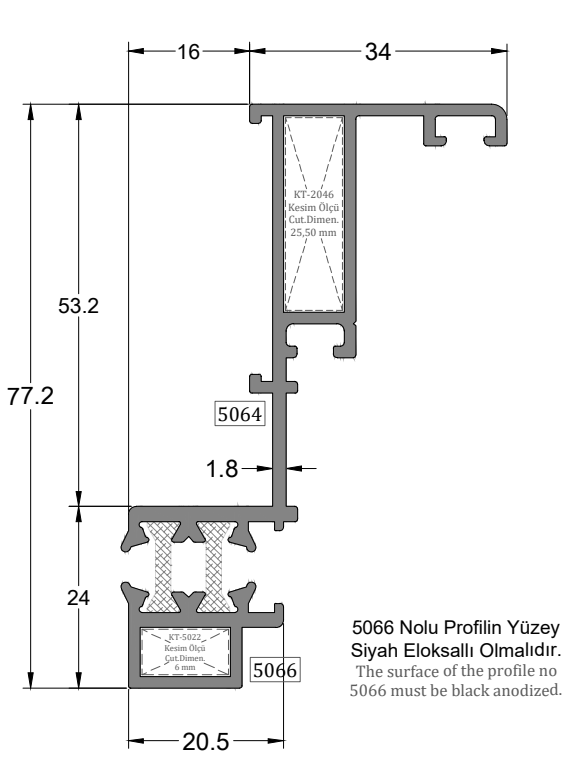
Kapak Profili	Profil Kodu	(kg/mt)	Jx cm <sup>4</sup>	Jy cm <sup>4</sup>
COVER PROFILE	Profile Code	weight		
	5105	0,824	5,81	21,25



Kapak Profili	Profil Kodu	(kg/mt)	Jx cm <sup>4</sup>	Jy cm <sup>4</sup>
COVER PROFILE	Profile Code	weight		
	5107	2,309	72,65	175,19

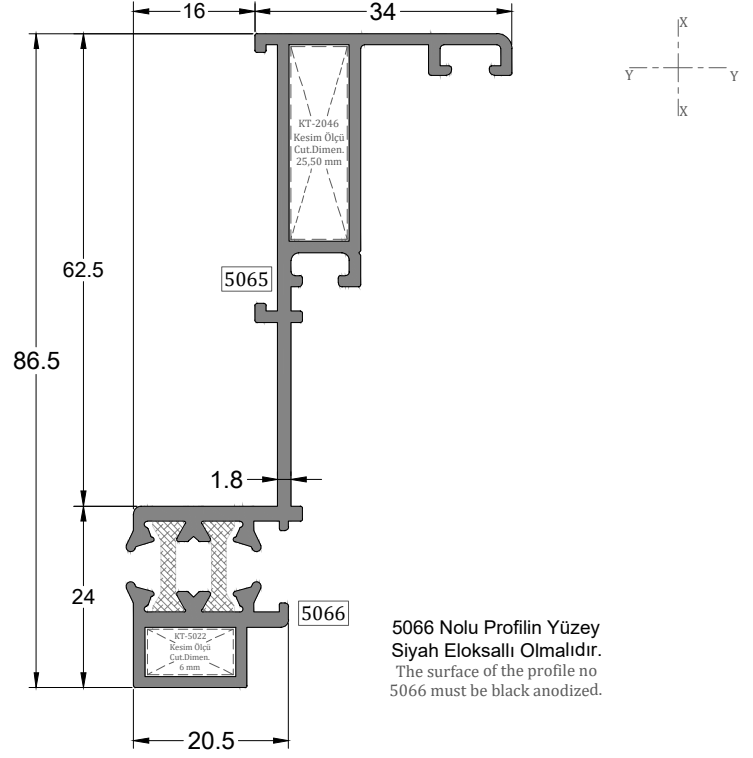


Kapak Profili	Profil Kodu	(kg/mt)	Jx cm <sup>4</sup>	Jy cm <sup>4</sup>
COVER PROFILE	Profile Code	weight		
	5106	1,258	34,78	37,13



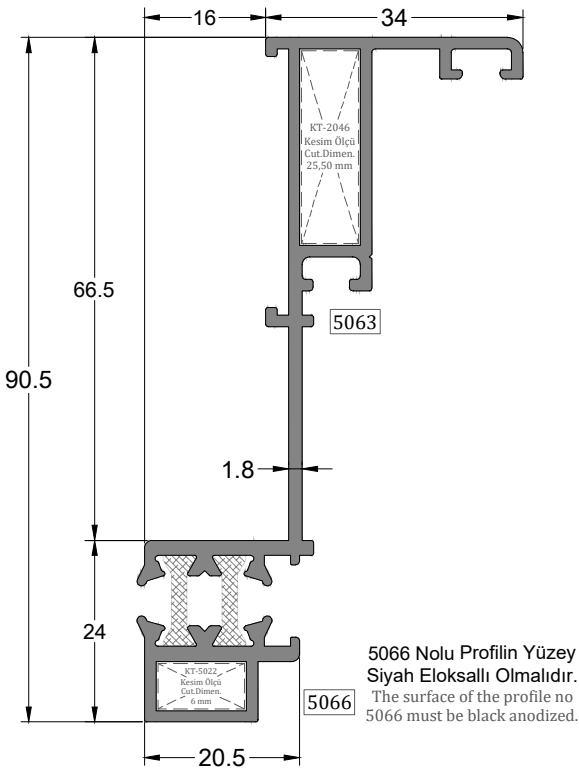
Kapaklı Cephe içi Kasa Profili	Profil Kodu Profile Code	(kg/mt) Weight	Jx cm <sup>4</sup>	Jy cm <sup>4</sup>
FRAME PROFILE	5064-5066	1,205	27,56	5,40

5093-5062-5081 profiller ile uyumludur.



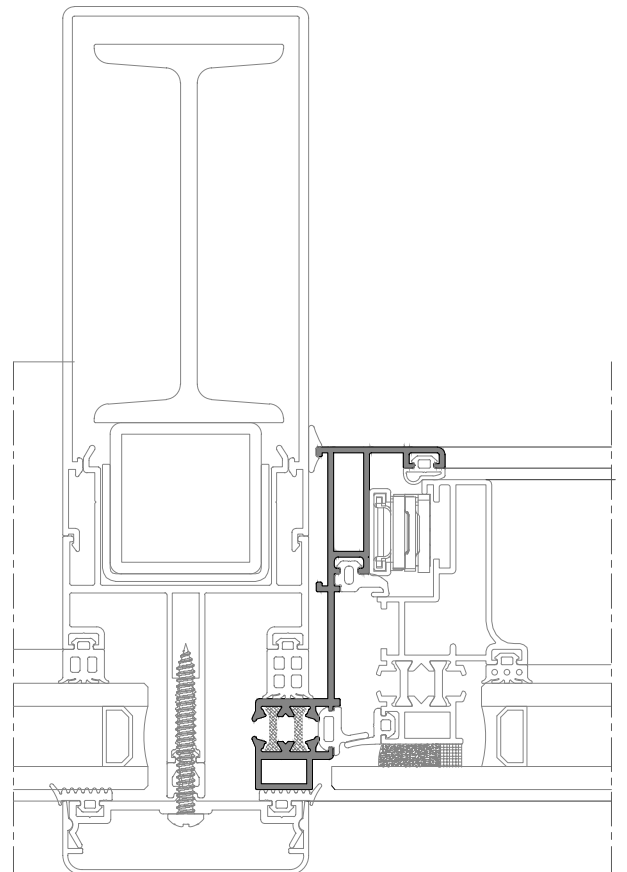
Kapaklı Cephe içi Kasa Profili	Profil Kodu Profile Code	(kg/mt) Weight	Jx cm <sup>4</sup>	Jy cm <sup>4</sup>
FRAME PROFILE	5065-5066	1,250	37,26	5,40

5088-5028 profiller ile uyumludur.

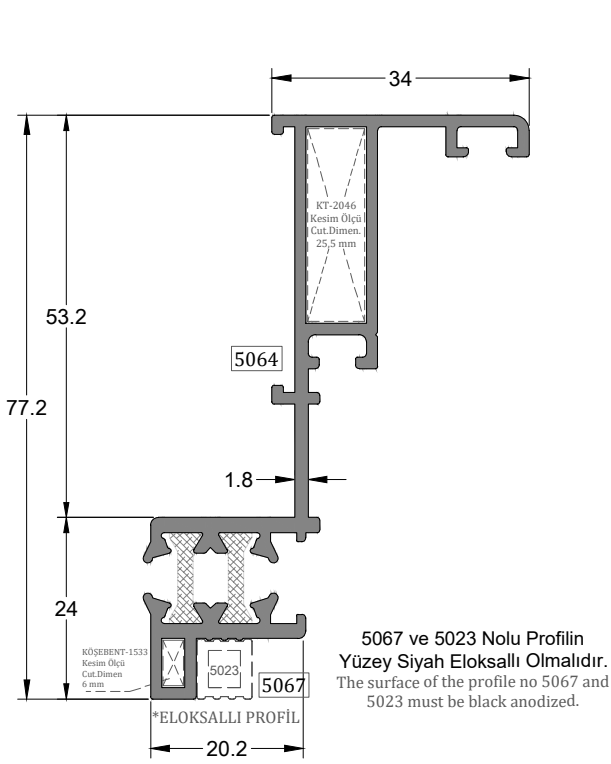


Kapaklı Cephe içi Kasa Profili	Profil Kodu Profile Code	(kg/mt) Weight	Jx cm <sup>4</sup>	Jy cm <sup>4</sup>
FRAME PROFILE	5063-5066	1,251	41,99	5,40

5029-5030-5031 profiller ile uyumludur.

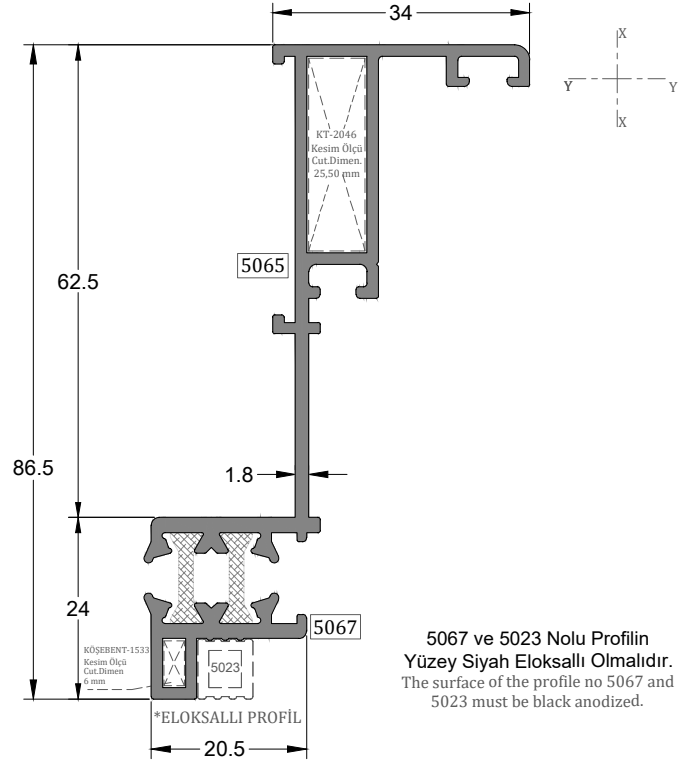


Ölçek: 1/2  
(Scale): 1/2



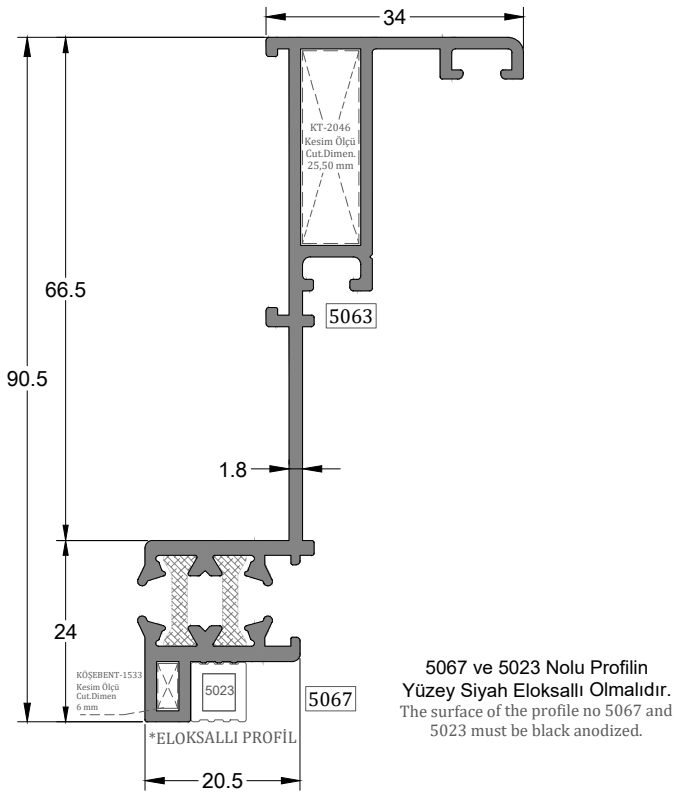
Yarı Kapaklı Cephe içi Kasa Profili FRAME PROFILE	Profil Kodu Profile Code	(kg/mt) Weight	Jx cm <sup>4</sup>	Jy cm <sup>4</sup>
	5064-5067	1,169	25,62	5,46

5093-5062-5081 profiller ile uyumludur.



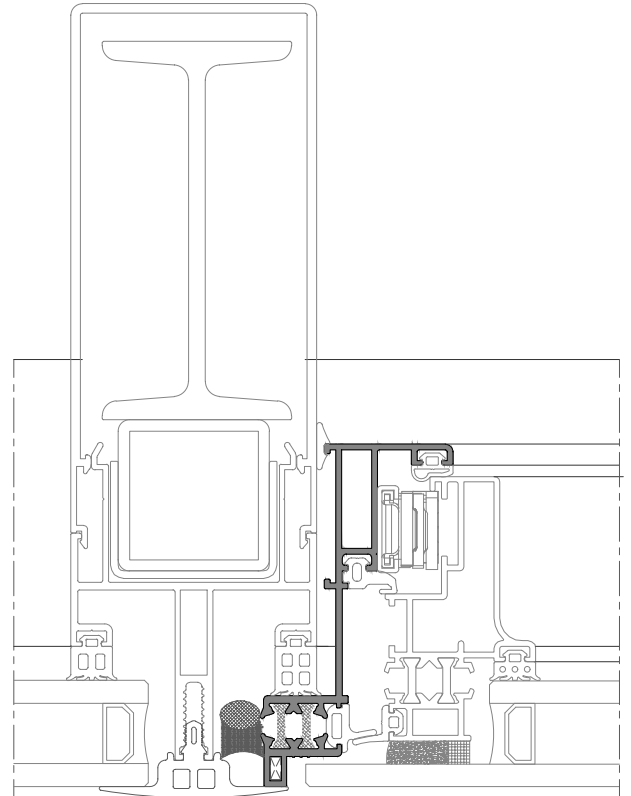
Yarı Kapaklı Cephe içi Kasa Profili FRAME PROFILE	Profil Kodu Profile Code	(kg/mt) Weight	Jx cm <sup>4</sup>	Jy cm <sup>4</sup>
	5065-5067	1,214	34,83	5,46

5088-5028 profiller ile uyumludur.

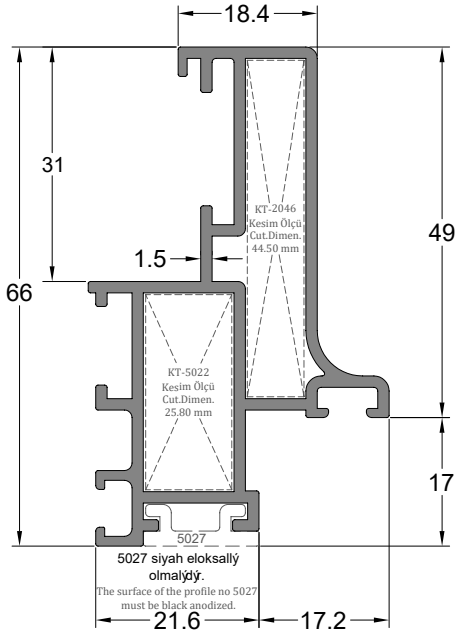
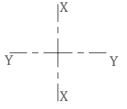


Yarı Kapaklı Cephe içi Kasa Profili FRAME PROFILE	Profil Kodu Profile Code	(kg/mt) Weight	Jx cm <sup>4</sup>	Jy cm <sup>4</sup>
	5063-5067	1,215	39,33	5,46

5029-5030-5031 profiller ile uyumludur.

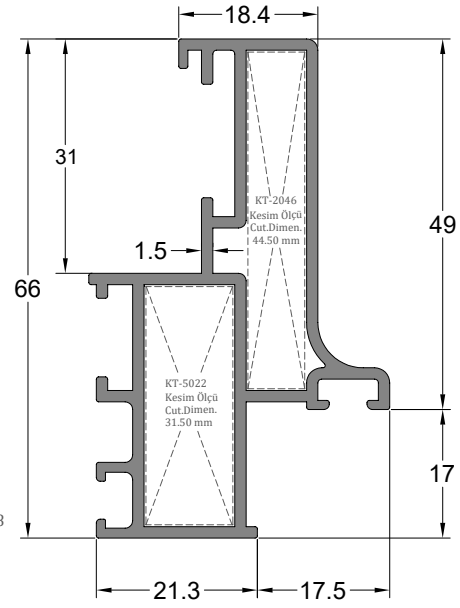


Ölçek: 1/2  
(Scale): 1/2



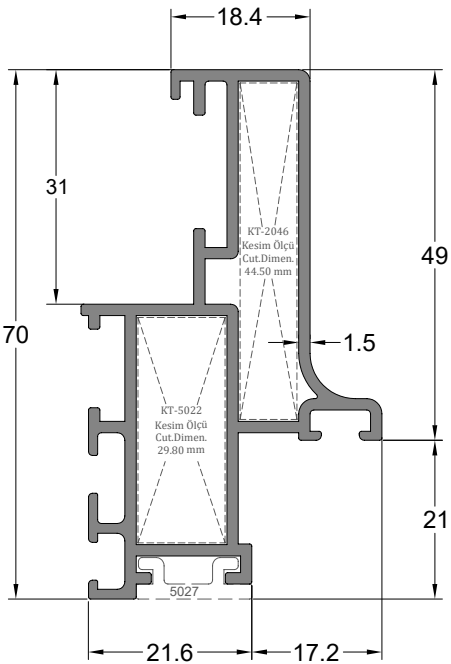
Kaset Profili	Profil Kodu	(kg/mt)	Jx cm <sup>4</sup>	Jy cm <sup>4</sup>
CASEDDE PROFILE	Profile Code	Weight		
	5028	1,037	14,32	3,66

(5065-5066)-(5065-5067) profiller ile çalışmaktadır.



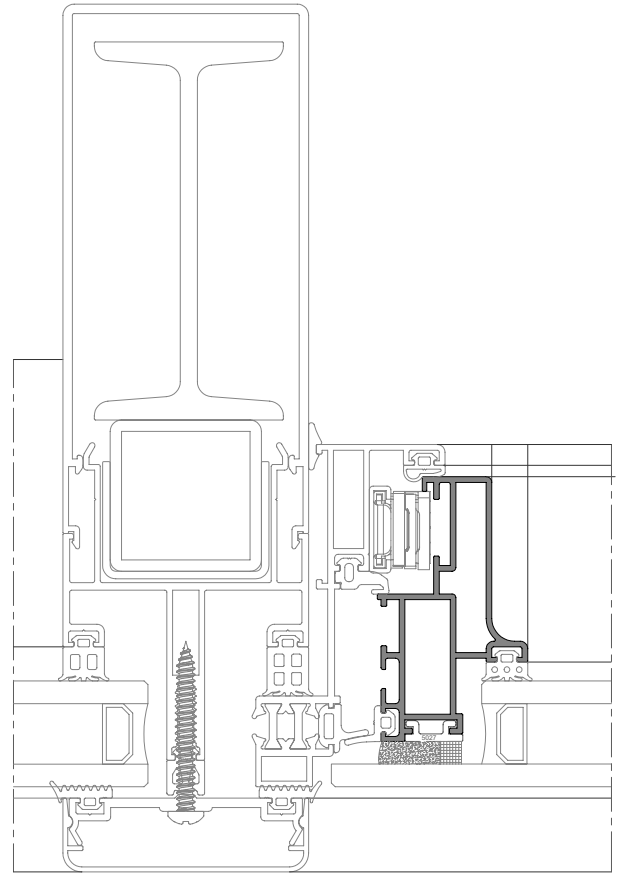
Kaset Profili	Profil Kodu	(kg/mt)	Jx cm <sup>4</sup>	Jy cm <sup>4</sup>
CASEDDE PROFILE	Profile Code	Weight		
	5088	1,027	14,72	3,63

(5065-5066)-(5065-5067) profiller ile çalışmaktadır.



Kaset Profili	Profil Kodu	(kg/mt)	Jx cm <sup>4</sup>	Jy cm <sup>4</sup>
CASEDDE PROFILE	Profile Code	Weight		
	5031	1,093	16,71	3,98

(5063-5066)-(5063-5067) profiller ile çalışmaktadır.



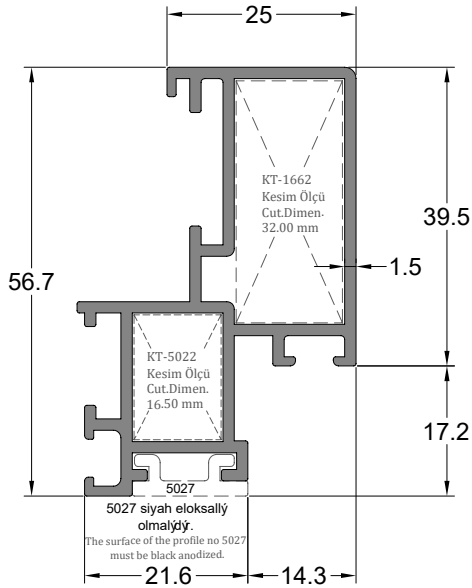
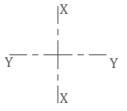
Ölçek: 1/2  
(Scale): 1/2

**NOT: Bonding işlemi için boyalı eloksallı ürünlerde primer uygulaması ral boya ve eloksal renge göre değişmektedir.**

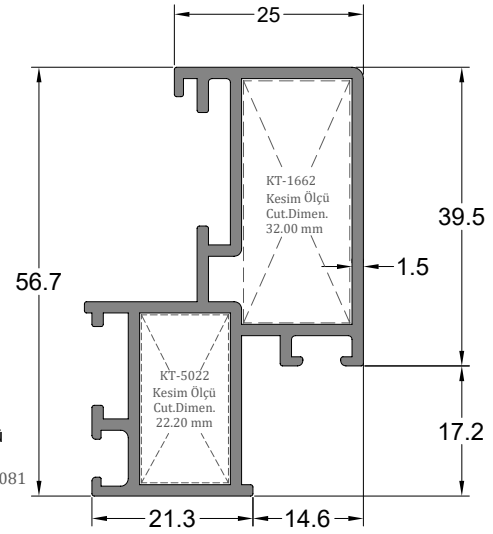
**PROFİL SİPARİŞİNDEN ÖNCE CAMI TEDARİK ETTİĞİNİZ FİRMAYA DANIPARAK SİPARİŞLERİNİZİ GEÇİRİNİZ !!!**

NOTE : Primer application for glazing bonding on powder coated and anodized profiles varies depending on the color.

PLEASE CONSULT WITH YOUR GLAZING SUPPLIER BEFORE PLACING YOUR PROFILE ORDERS !!!



5081 Nolu Profilin Yüzü  
Eloksallı Olmalıdır.  
The surface of the profile no 5081  
must be anodized.

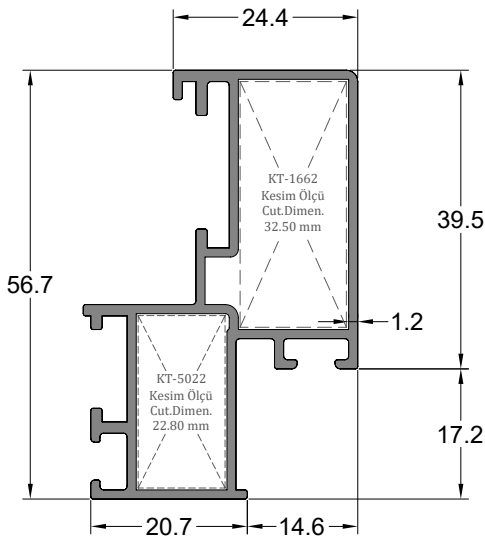


Kaset Profili	Profil Kodu	(kg/mt)	Jx cm <sup>4</sup>	Jy cm <sup>4</sup>
CASEDDE PROFILE	Profile Code	Weight		
	5062	0,918	10,08	3,91

(5064-5066)-(5064-5067) profiller ile çalışmaktadır.

Kaset Profili	Profil Kodu	(kg/mt)	Jx cm <sup>4</sup>	Jy cm <sup>4</sup>
CASEDDE PROFILE	Profile Code	Weight		
	5081	0,908	10,46	3,87

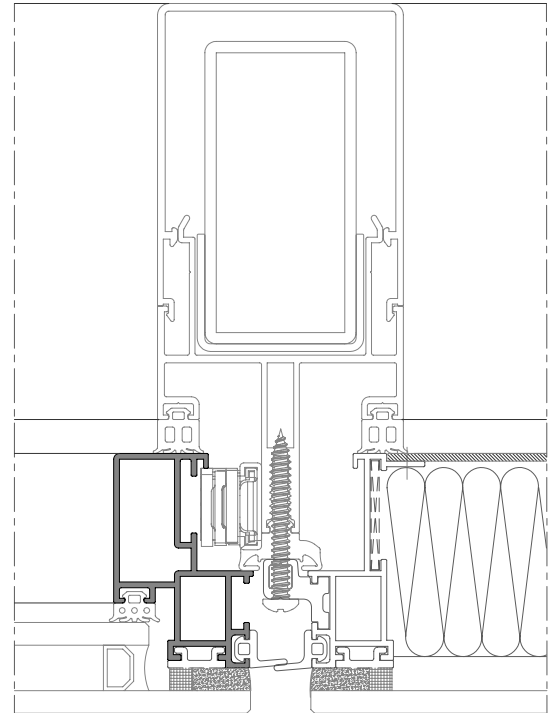
(5064-5066)-(5064-5067) profiller ile çalışmaktadır.



5093 Nolu Profilin Yüzü  
Eloksallı Olmalıdır.  
The surface of the profile no 5093  
must be anodized.

Kaset Profili	Profil Kodu	(kg/mt)	Jx cm <sup>4</sup>	Jy cm <sup>4</sup>
CASEDDE PROFILE	Profile Code	Weight		
	5093	0,766	8,86	3,21

(5064-5066)-(5064-5067) profiller ile çalışmaktadır.



Ölçek: 1/2  
(Scale): 1/2

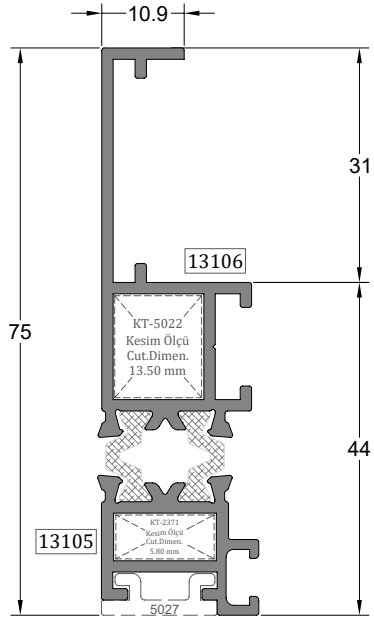
NOT: Bonding işlemi için boyalı, eloksallı ürünlerde primer uygulaması  
ral boya ve eloksal renge göre değişmektedir.

**PROFİL SİPARİŞİNDEN ÖNCE CAMI TEDARİK ETTİĞİNİZ FİRMAYA  
DANIPARAK SİPARİŞLERİNİZİ GEÇİRİNİZ !!!**

NOTE : Primer application for glazing bonding on powder coated and  
anodized profiles varies depending on the color.

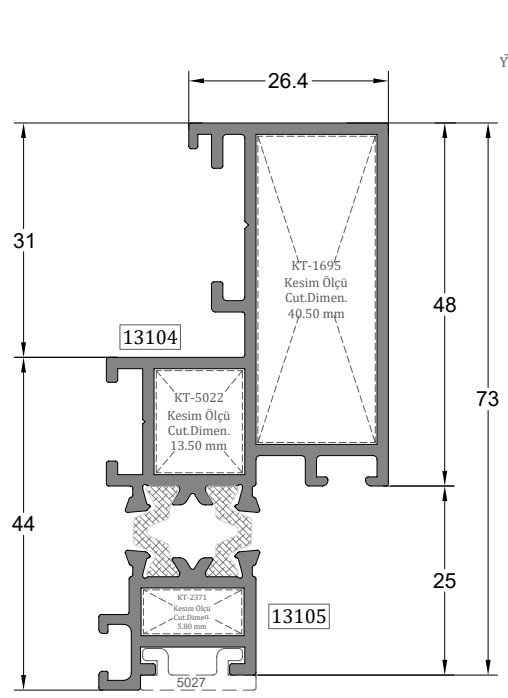
PLEASE CONSULT WITH YOUR GLAZING SUPPLIER BEFORE  
PLACING YOUR PROFILE ORDERS !!!





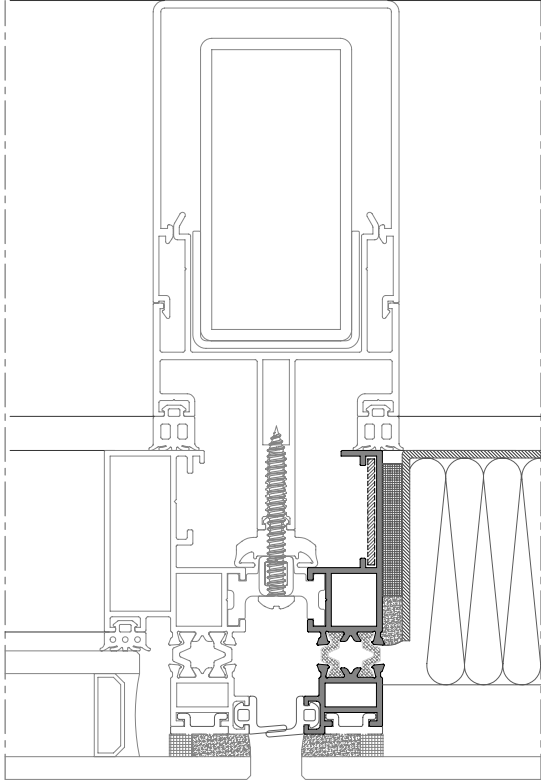
5027 siyah eloksally olmalıdır.  
The surface of the profile no 5027 must be black anodized.

Tek Cam Yalıtımlı Kaset Profili	Profil Kodu	(kg/mt)	Jx cm <sup>4</sup>	Jy cm <sup>4</sup>
SINGLE GLAZING INSULATED CASEDE PROFILE	Profile Code	Weight		
	13106-13105	1,014	15,50	1,55

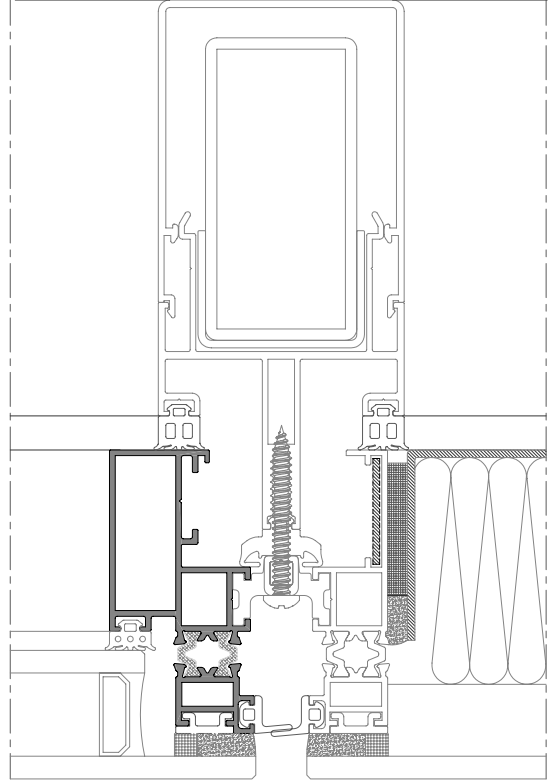


5027 siyah eloksally olmalıdır.  
The surface of the profile no 5027 must be black anodized.

Yalıtımlı Kaset Profili	Profil Kodu	(kg/mt)	Jx cm <sup>4</sup>	Jy cm <sup>4</sup>
INSULATED CASEDE PROFILE	Profile Code	Weight		
	13104-13105	1,327	22,01	5,74



Ölçek:1/2  
(Scale):1/2



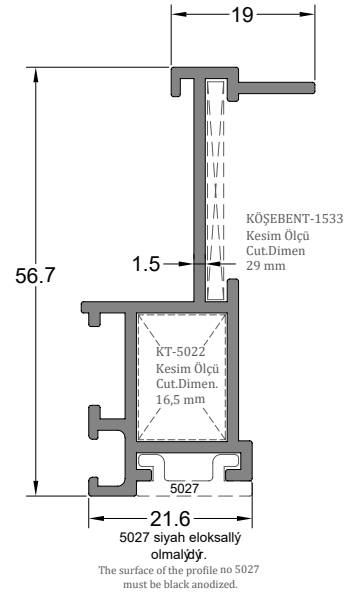
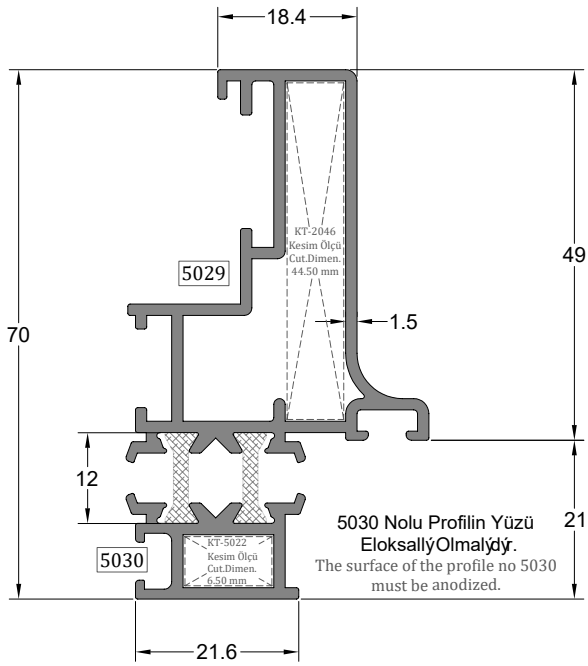
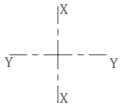
Ölçek:1/2  
(Scale):1/2

**NOT: Bonding işlemi için boyalı eloksallı ürünlerde primer uygulaması ral boya ve eloksallı renge göre değişmektedir.**

**PROFİL SİPARİŞİNDEN ÖNCE CAMI TEDARİK ETTİĞİNİZ FİRMAYA DANIPARAK SİPARİŞLERİNİZİ GEÇİNİZ !!!**

NOTE : Primer application for glazing bonding on powder coated and anodized profiles varies depending on the color.

PLEASE CONSULT WITH YOUR GLAZING SUPPLIER BEFORE PLACING YOUR PROFILE ORDERS !!!

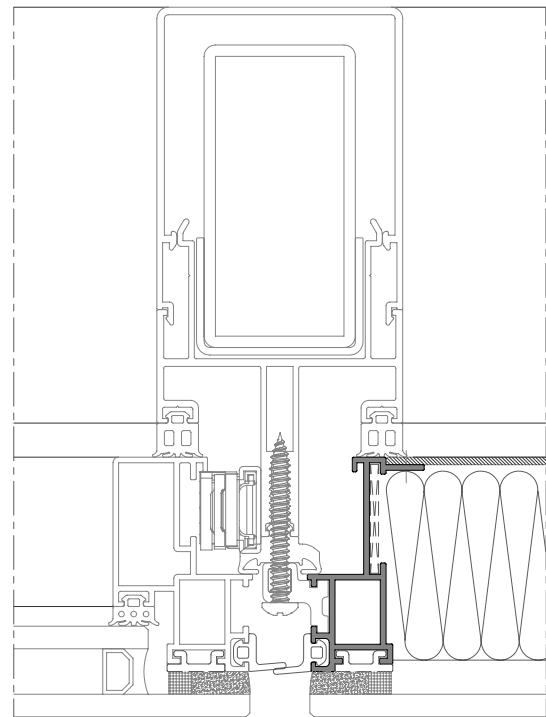
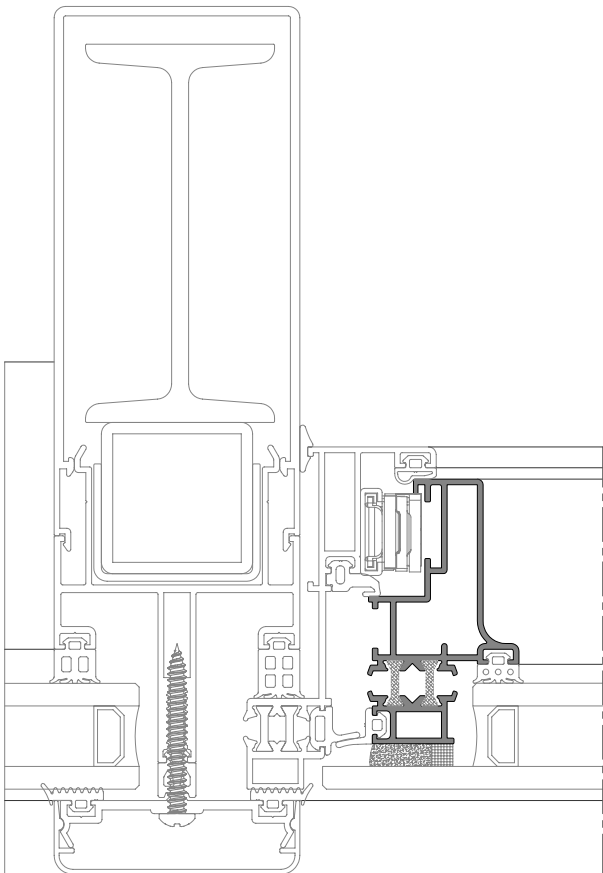


Yalıtımlı Kaset Profili INSULATED CASEDE PROFILE	Profil Kodu Profile Code	(kg/mt) Weight	Jx cm <sup>4</sup>	Jy cm <sup>4</sup>
	5029-5030-12	1,250	20,07	4,50

(5063-5066)-(5063-5067) profiller ile çalışmaktadır.

Tek Cam Yalıtımsız Kaset Profili SINGLE GLAZING UNINSULATED CASEDE PROFILE	Profil Kodu Profile Code	(kg/mt) Weight	Jx cm <sup>4</sup>	Jy cm <sup>4</sup>
	5068	0,634	7,65	1,11

5093-5062-5081 profiller ile uyumludur.

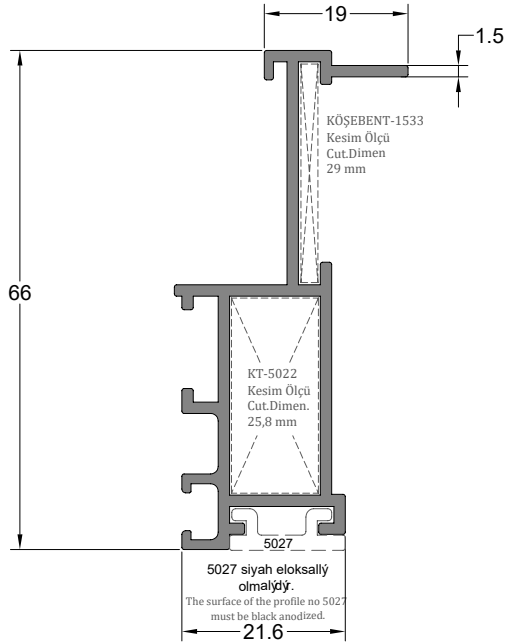
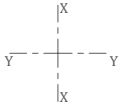


**NOT: Bonding işlemi için boyalı elokssal ürünlerde primer uygulaması ral boya ve eloksal renge göre değişmektedir.**

**PROFİL SİPARİŞİNDEN ÖNCE CAMI TEDARİK ETTİĞİNİZ FİRMAYA DANIPARAK SİPARİŞLERİNİZİ GEÇİRİNİZ !!!**

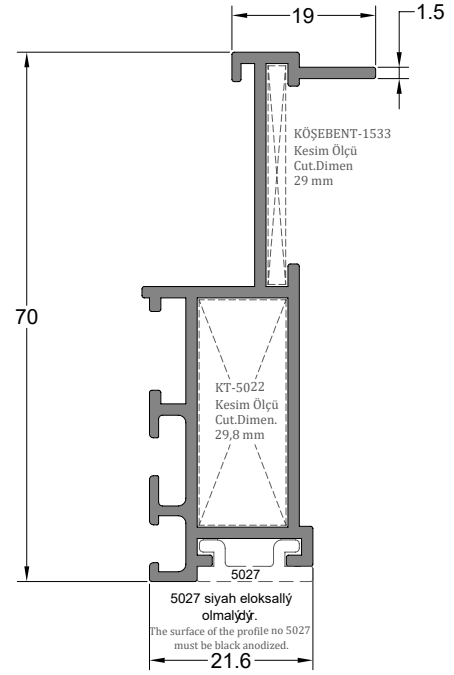
NOTE : Primer application for glazing bonding on powder coated and anodized profiles varies depending on the color.

PLEASE CONSULT WITH YOUR GLAZING SUPPLIER BEFORE PLACING YOUR PROFILE ORDERS !!!



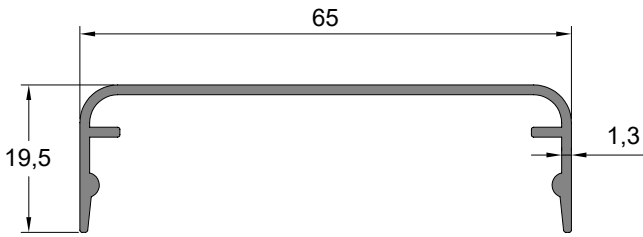
Tek Cam Kaset Profili	Profil Kodu	(kg/mt)	Jx cm <sup>4</sup>	Jy cm <sup>4</sup>
SINGLE GLAZING CASEDDE PROFILE	Profile Code	Weight		
	5032	0,727	11,42	1,30

5028-5088 profiller ile uyumludur.

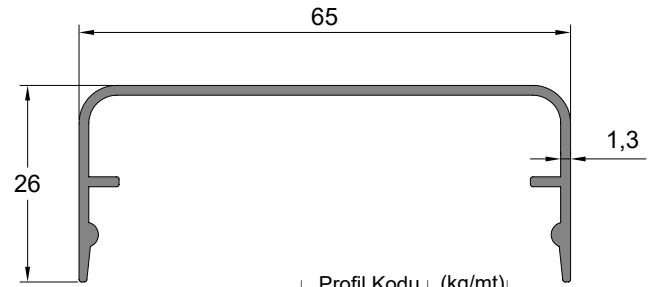


Tek Cam Kaset Profili	Profil Kodu	(kg/mt)	Jx cm <sup>4</sup>	Jy cm <sup>4</sup>
SINGLE GLAZING CASEDDE PROFILE	Profile Code	Weight		
	5071	0,783	13,54	1,47

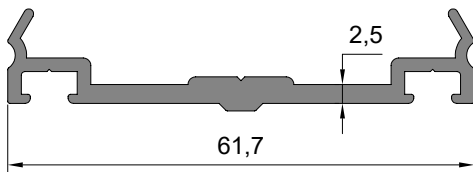
5029-5030-5031 profiller ile uyumludur.



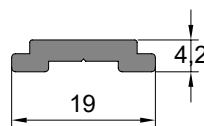
Kapak Profili	Profil Kodu	(kg/mt)
COVER PROFILE	Profile Code	weight
	5102	0,387



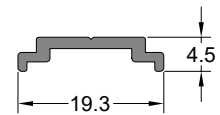
Kapak Profili	Profil Kodu	(kg/mt)
COVER PROFILE	Profile Code	weight
	5103	0,433



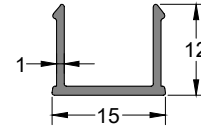
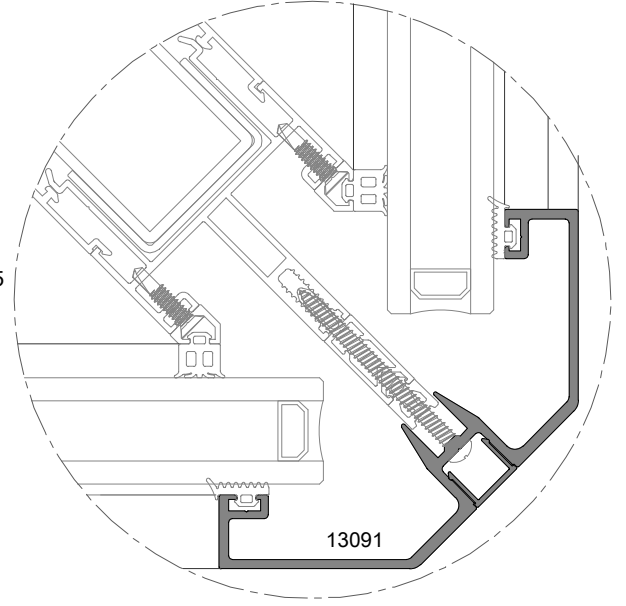
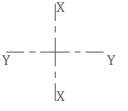
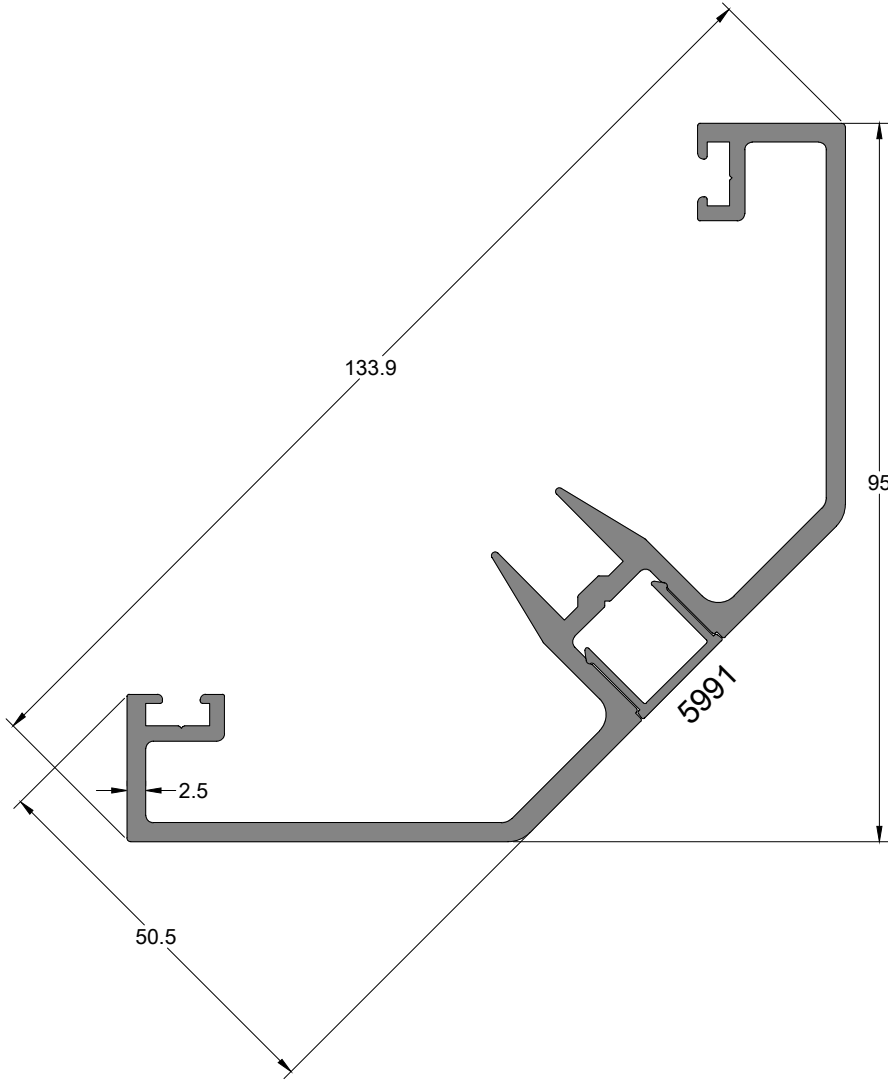
Kapak Altı Profili	Profil Kodu	(kg/mt)
SUB-COVER PROFILE	Profile Code	weight
	5104	0,569



Tij Profili	Profil Kodu	(kg/mt)
STEM BAR PROFILE	Profile Code	Weight
	1122	0,158

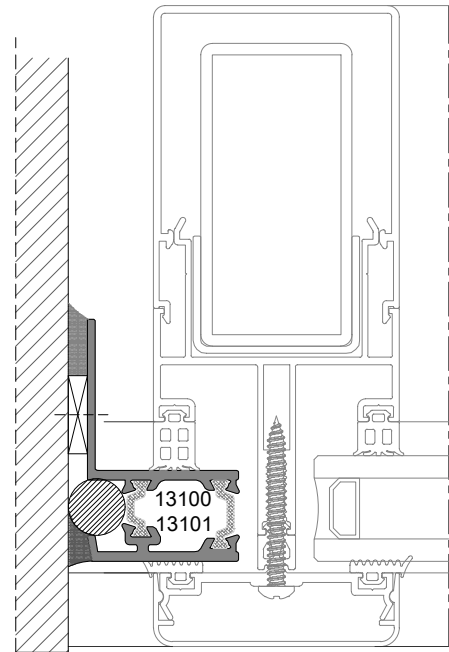
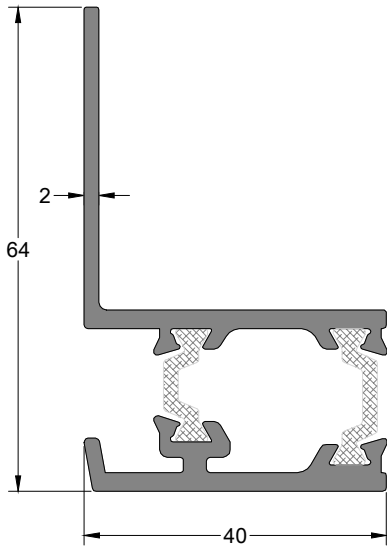


Tij Profili	Profil Kodu	(kg/mt)
STEM BAR PROFILE	Profile Code	Weight
	8241	0,099



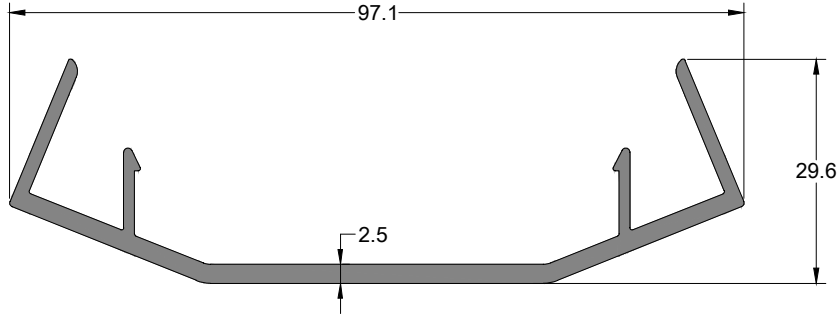
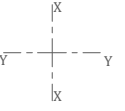
90° Dıştan Köşe Dönüş Kapak Profili	Profil Kodu Profile Code	(kg/mt) Weight
90° CORNER COVER PROFILE	13091	1,950

Kapak Profili	Profil Kodu Profile Code	(kg/mt) Weight
COVER PROFILE	5991	0,108

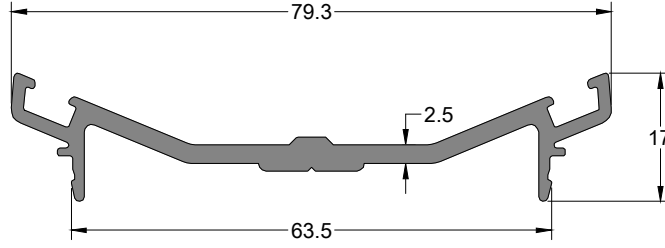


Duvar Bitiş Profili	Profil Kodu Profile Code	(kg/mt) Weight	Jx cm <sup>4</sup>	Jy cm <sup>4</sup>
WALL FINISH PROFILE	13100-13101	1,031	9,94	5,46

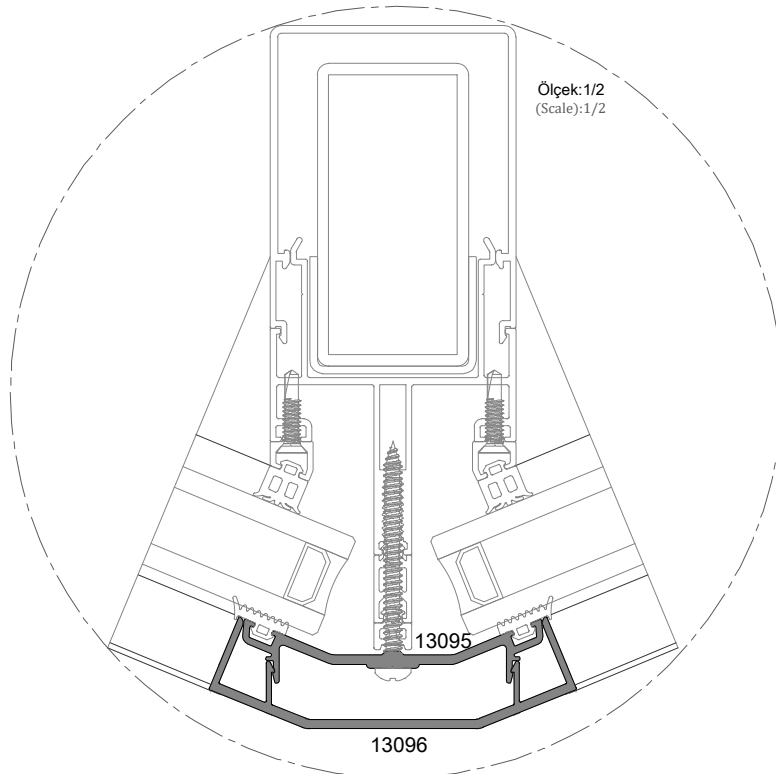
Ölçek:1/2  
(Scale):1/2

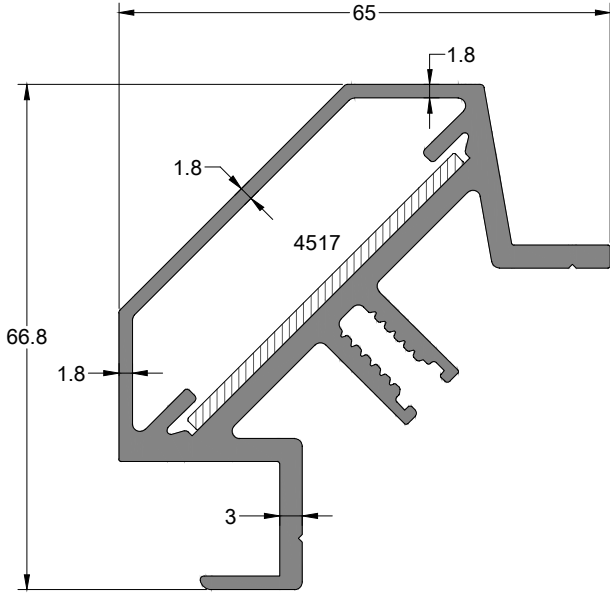


135° Köşe Dönüş Kapak Profili	Profil Kodu Profile Code	(kg/mt) Weight
135° CORNER COVER PROFILE	13096	0,945



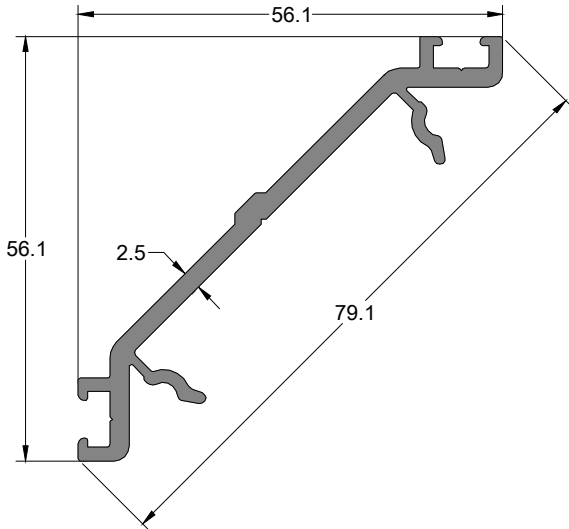
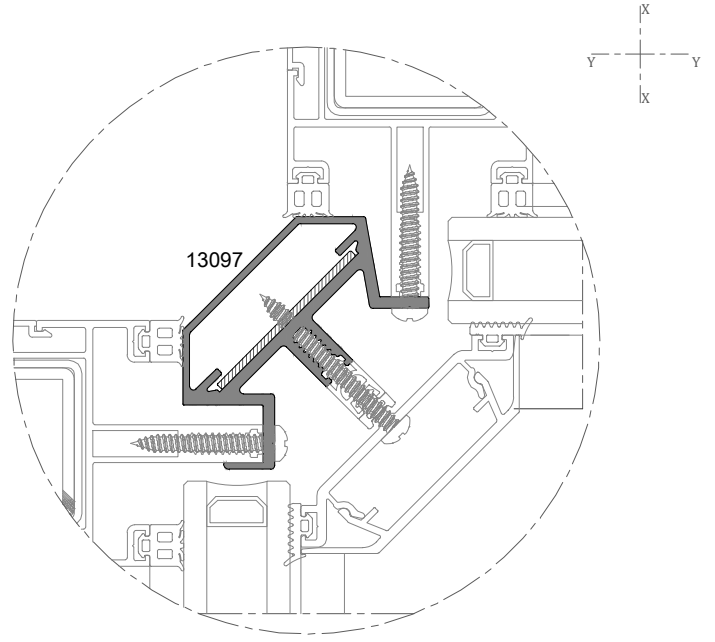
135° Köşe Dönüş Baskı Profili	Profil Kodu Profile Code	(kg/mt) Weight
135° CORNER EXTENSION PROFILE	13095	0,728





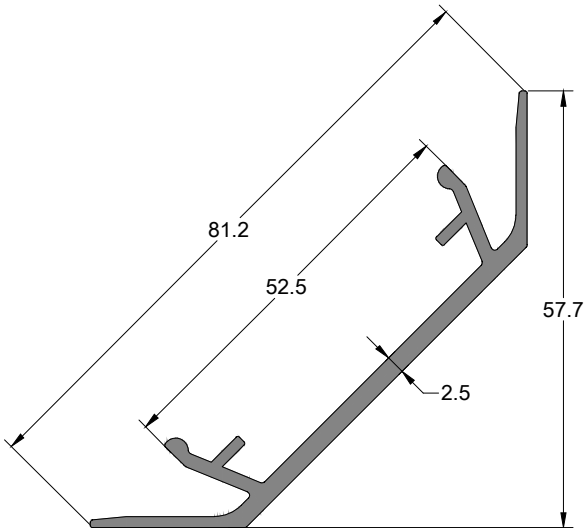
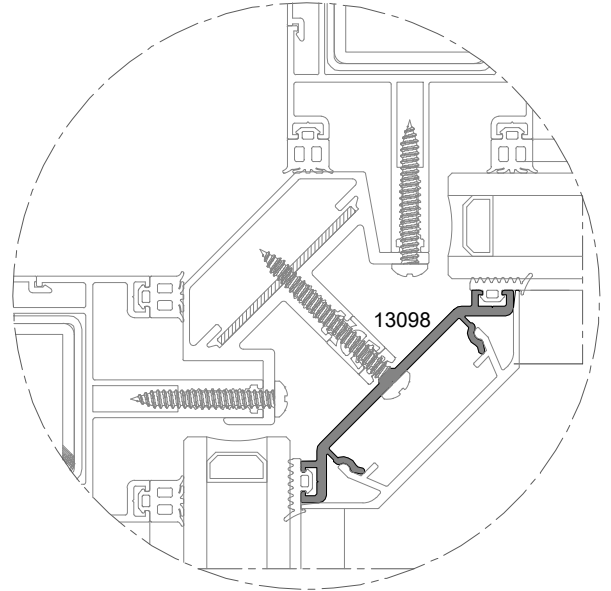
**90° İçten Köşe Dönüş Profili**  
90° CORNER COVER PROFILE

Profil Kodu Profile Code	(kg/mt) Weight
13097	1,779



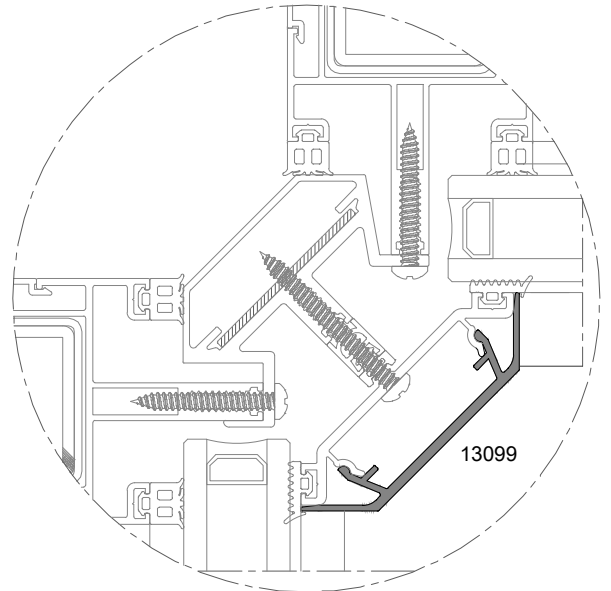
**90° İçten Köşe Dönüş Baskı Profili**  
90° CORNER EXTENSION PROFILE

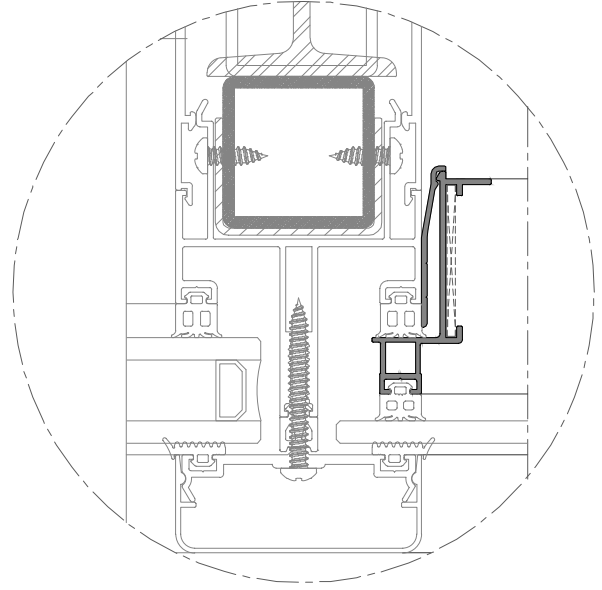
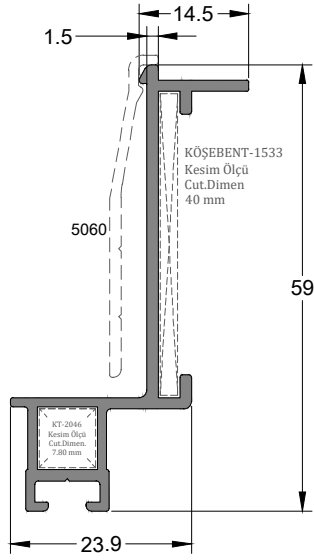
Profil Kodu Profile Code	(kg/mt) Weight
13098	0,749



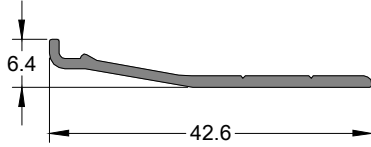
**90° İçten Köşe Dönüş Kapak Profili**  
90° CORNER COVER PROFILE

Profil Kodu Profile Code	(kg/mt) Weight
13099	0,688

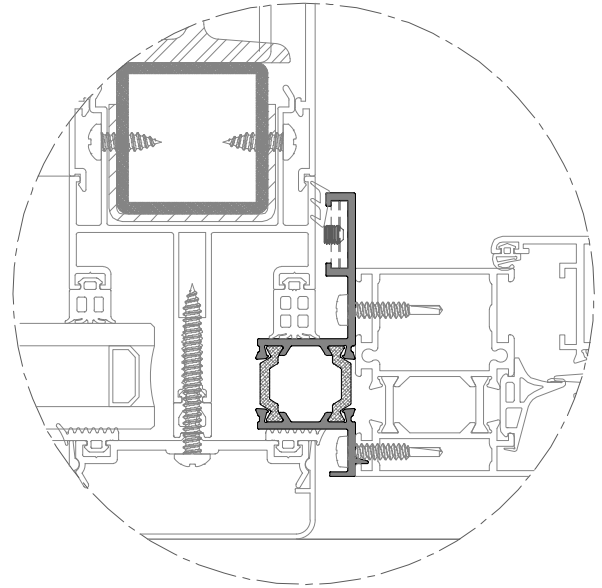
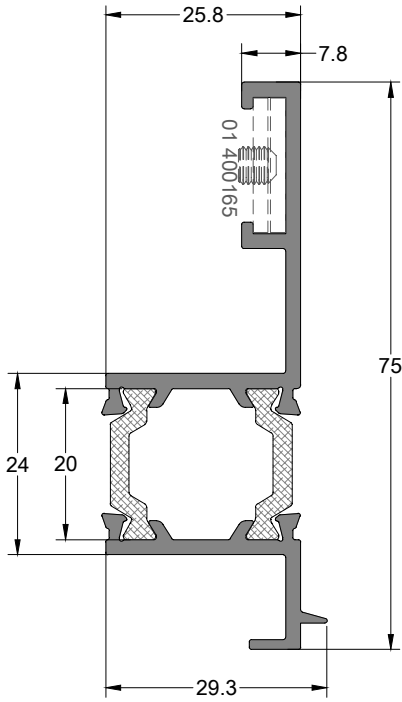




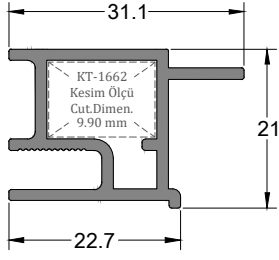
Tek Cam ve Spandrel Panel Kaset Profili	Profil Kodu	(kg/mt)	Jx cm <sup>4</sup>	Jy cm <sup>4</sup>
CASEDEDE PROFILE	5056	0,478	6,57	1,00



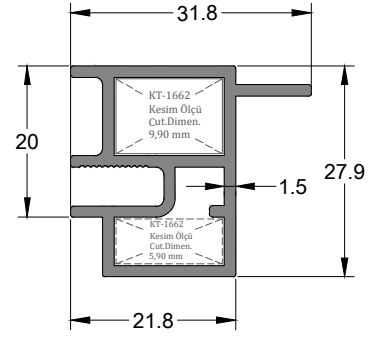
Çıta Profili	Profil Kodu	(kg/mt)
BEAD PROFILE	5060	0,172



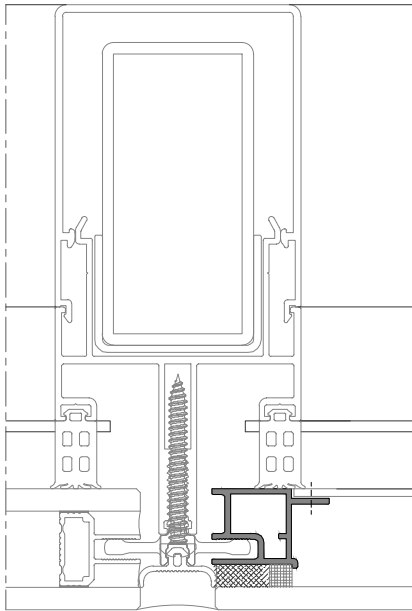
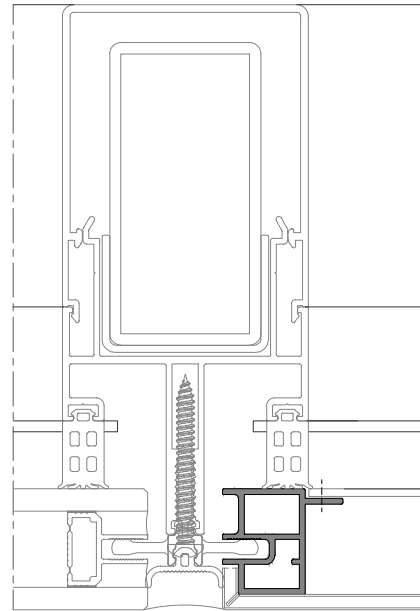
Geçiş Adaptör Profili	Profil Kodu	(kg/mt)	Jx cm <sup>4</sup>	Jy cm <sup>4</sup>
TRANSITION ADAPTER PROFILE	13108-13109	0,918	14,47	3,32



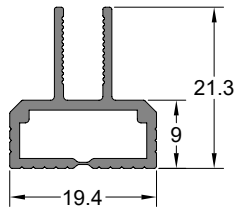
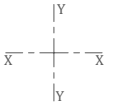
Tek Cam Kaset Profili	Profil Kodu	(kg/mt)
SINGLE GLAZING CASSETTE PROFILE	Profile Code	Weight
	6115	0,411



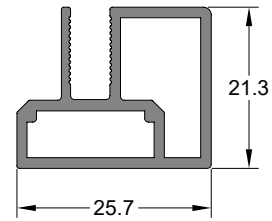
Kompozit Kaset Profili	Profil Kodu	(kg/mt)
COMPOSITE CASSETTE PROFILE	Profile Code	Weight
	6116	0,530


 Ölçek:1/2  
 (Scale):1/2

 Ölçek:1/2  
 (Scale):1/2

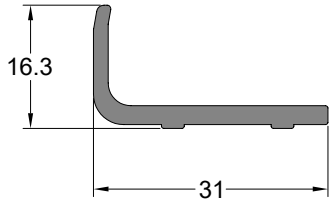




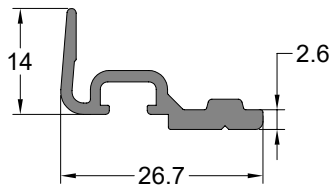
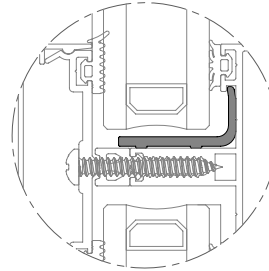
Isıcam Spacer Profili	Profil Kodu	(kg/mt)
DOUBLE GLAZING SPACER PROFILE	Profile Code	Weight
	6117	0,254



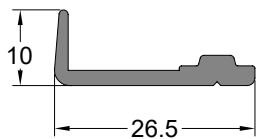
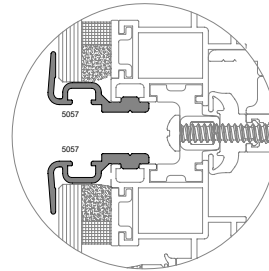
Tek Cam Spacer Profili	Profil Kodu	(kg/mt)
SINGLE GLAZING SPACER PROFILE	Profile Code	Weight
	9748	0,419



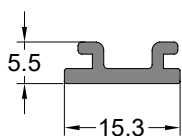
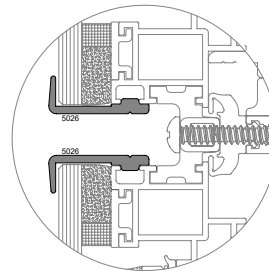
Cam Altı Takoz Profili	Profil Kodu	(kg/mt)
GLASS UNDER WEDGE PROFILE	Profile Code	Weight
	5113	0,282



Cam Tutucu Profili	Profil Kodu	(kg/mt)
GLAZING HOLDER PROFILE	Profile Code	Weight
	5057	0,248

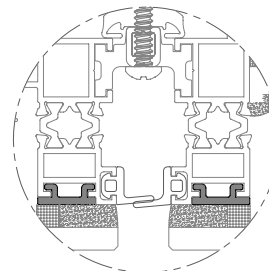


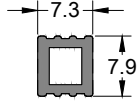
Cam Tutucu Profili	Profil Kodu	(kg/mt)
GLAZING HOLDER PROFILE	Profile Code	Weight
	5026	0,233



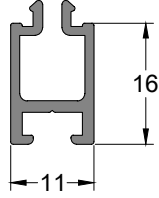
5027 siyah eloksally olmalıy.  
 The surface of the profile no 5027 must be black anodized.

Cam Yapıştırma Profili	Profil Kodu	(kg/mt)
GLAZING BONDING PROFILE	Profile Code	Weight
	5027	0,128

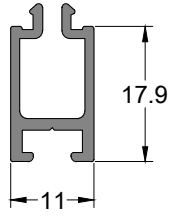




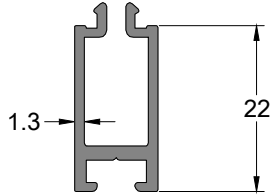
Kasa Ek Profili ADDITIONAL PROFILE	Profil Kodu Profile Code	(kg/mt) Weight
	5023	0,094



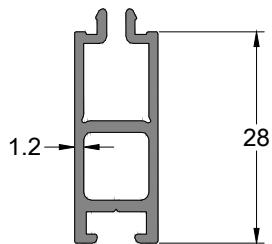
Yükseltme Çita Profili EXTENSION BEAD PROFILE	Profil Kodu Profile Code	(kg/mt) Weight
	5097	0,198



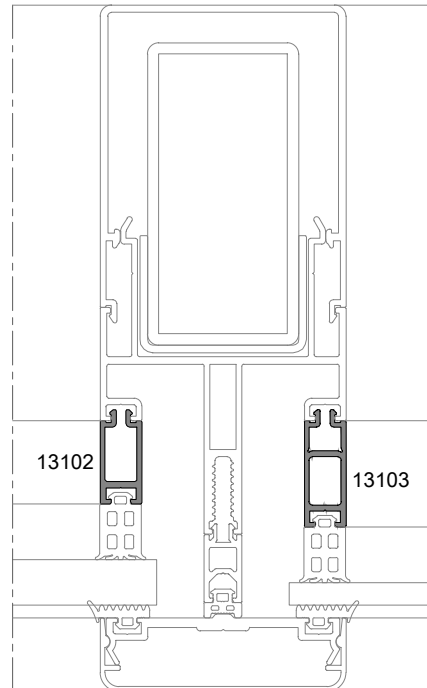
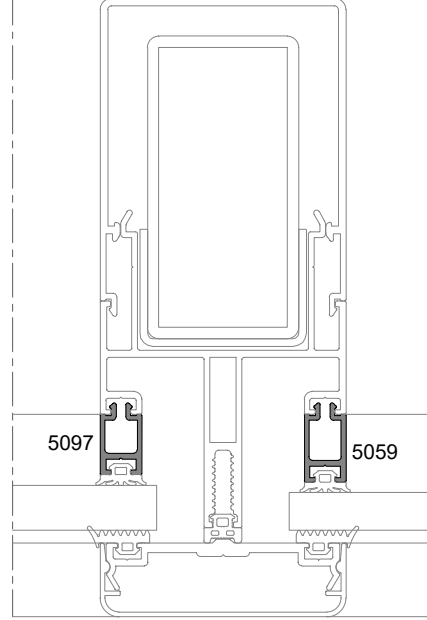
Yükseltme Çita Profili EXTENSION BEAD PROFILE	Profil Kodu Profile Code	(kg/mt) Weight
	5059	0,210

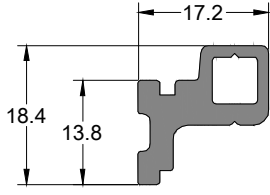


Yükseltme Çita Profili EXTENSION BEAD PROFILE	Profil Kodu Profile Code	(kg/mt) Weight
	13102	0,250

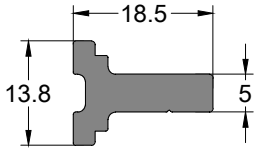
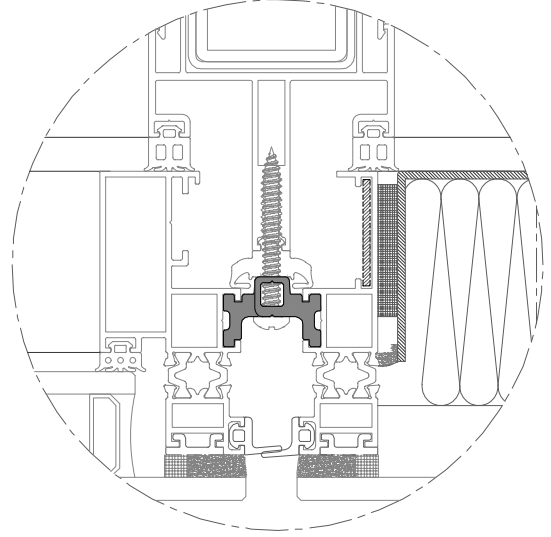


Yükseltme Çita Profili EXTENSION BEAD PROFILE	Profil Kodu Profile Code	(kg/mt) Weight
	13103	0,309

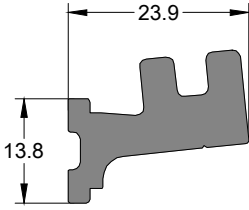
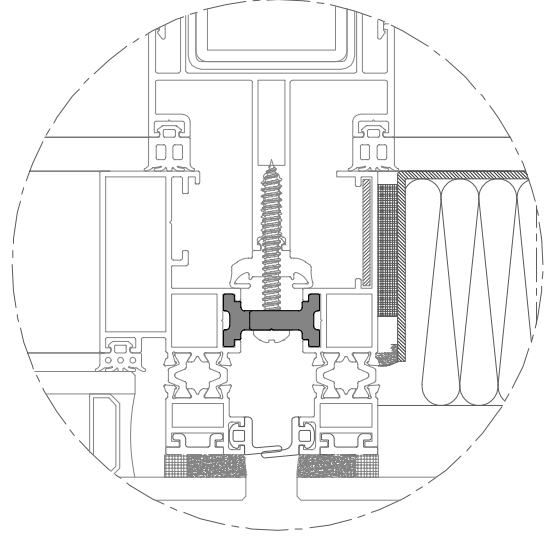




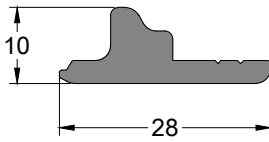
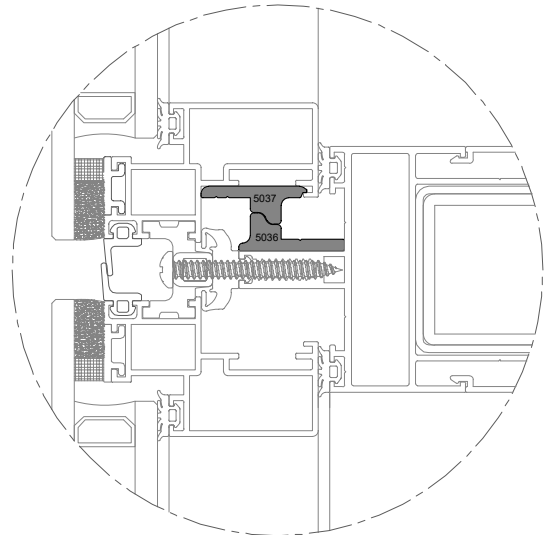
Kaset Tespit Profili	Profil Kodu	(kg/mt)
CASEDDE FIXING PROFILE	Profile Code	Weight
	5094	0,346



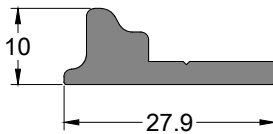
Kaset Tespit Profili	Profil Kodu	(kg/mt)
CASEDDE FIXING PROFILE	Profile Code	Weight
	5024	0,323



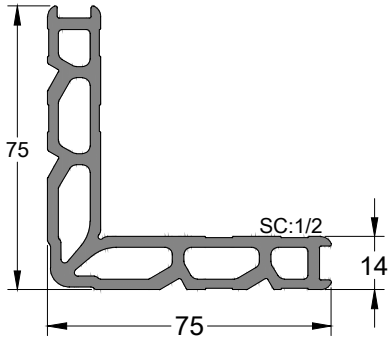
Kaset Tespit Profili	Profil Kodu	(kg/mt)
CASEDDE FIXING PROFILE	Profile Code	Weight
	5079	0,613



Kaset Üst Kilit Profili	Profil Kodu	(kg/mt)
CASEDDE BOTTOM LOCK PROFILE	Profile Code	Weight
	5037	0,340

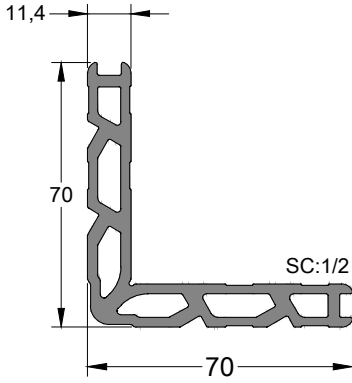


Kaset Altı Kilit Profili	Profil Kodu	(kg/mt)
HORIZONTAL LOCK PROFILE	Profile Code	Weight
	5036	0,339



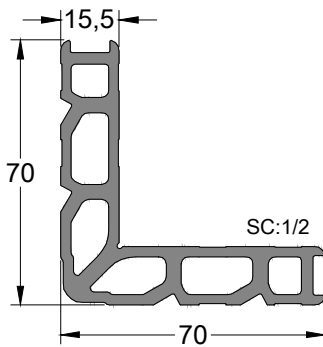
Köşe Takoz Profili	Profil Kodu	(kg/mt)
CORNER WEDGE PROFILE	Profile Code	Weight
	1662	2,576

Köşe Takoz Profil Kodu	Kullanıldığı Profil	Kesim Boyu (mm)
Corner Wedge Profile Code	Used Profile	Cutting Length (mm)
1662	5093	32,50 mm
	5081	32,00 mm
	5062	32,00 mm
	6115,6116	9,90 mm
	6116	5,90 mm



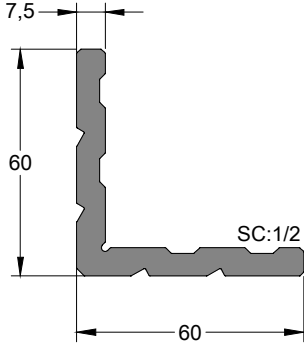
Köşe Takoz Profili	Profil Kodu	(kg/mt)
CORNER WEDGE PROFILE	Profile Code	Weight
	5022	2,245

Köşe Takoz Profil Kodu	Kullanıldığı Profil	Kesim Boyu (mm)
Corner Wedge Profile Code	Used Profile	Cutting Length (mm)
5022	5088	31,50 mm
	5028	25,80 mm
	5093	22,80 mm
	5031	29,80 mm
	5062	16,80 mm
	5081	22,20 mm
	5030	6,50 mm
	5068	16,50 mm
	5032	25,80 mm
	5071	29,80 mm
	5066	6,00 mm
	13104	13,50 mm
	13106	13,50 mm



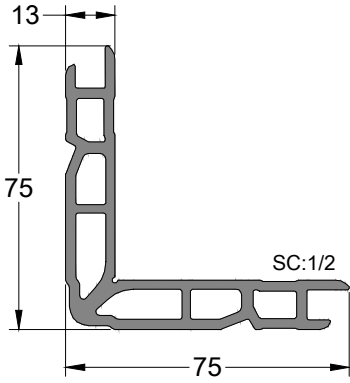
Köşe Takoz Profili	Profil Kodu	(kg/mt)
CORNER WEDGE PROFILE	Profile Code	Weight
	1695	2,540

Köşe Takoz Profil Kodu	Kullanıldığı Profil	Kesim Boyu (mm)
Corner Wedge Profile Code	Used Profile	Cutting Length (mm)
1695	13104	40,50 mm



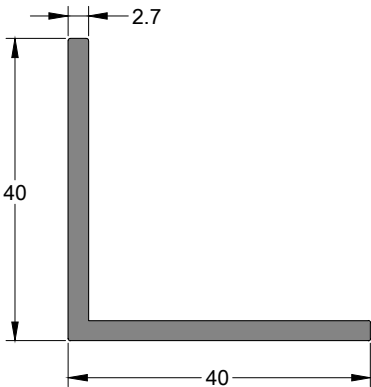
Köşe Takoz Profili	Profil Kodu	(kg/mt)
CORNER WEDGE PROFILE	Profile Code	Weight
	2046	2,091

Köşe Takoz Profil Kodu	Kullanıldığı Profil	Kesim Boyu (mm)
Corner Wedge Profile Code	Used Profile	Cutting Length (mm)
2046	5088	44,50 mm
	5028	44,50 mm
	5031	44,50 mm
	5029	44,50 mm
	5063	25,50 mm
	5064	25,50 mm
	5065	25,50 mm
	5056	7,80 mm



Köşe Takoz Profili	Profil Kodu	(kg/mt)
CORNER WEDGE PROFILE	Profile Code	Weight
	2371	2,241

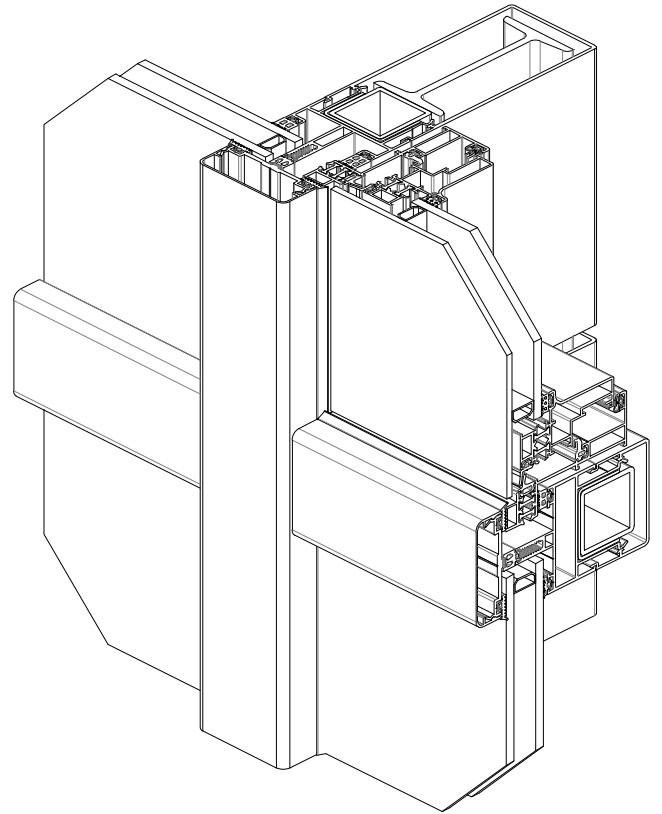
Köşe Takoz Profil Kodu	Kullanıldığı Profil	Kesim Boyu (mm)
Corner Wedge Profile Code	Used Profile	Cutting Length (mm)
2371	13105	5,80 mm



Köşe Takoz Profili	Profil Kodu	(kg/mt)
CORNER WEDGE PROFILE	Profile Code	Weight
	1533	0,566

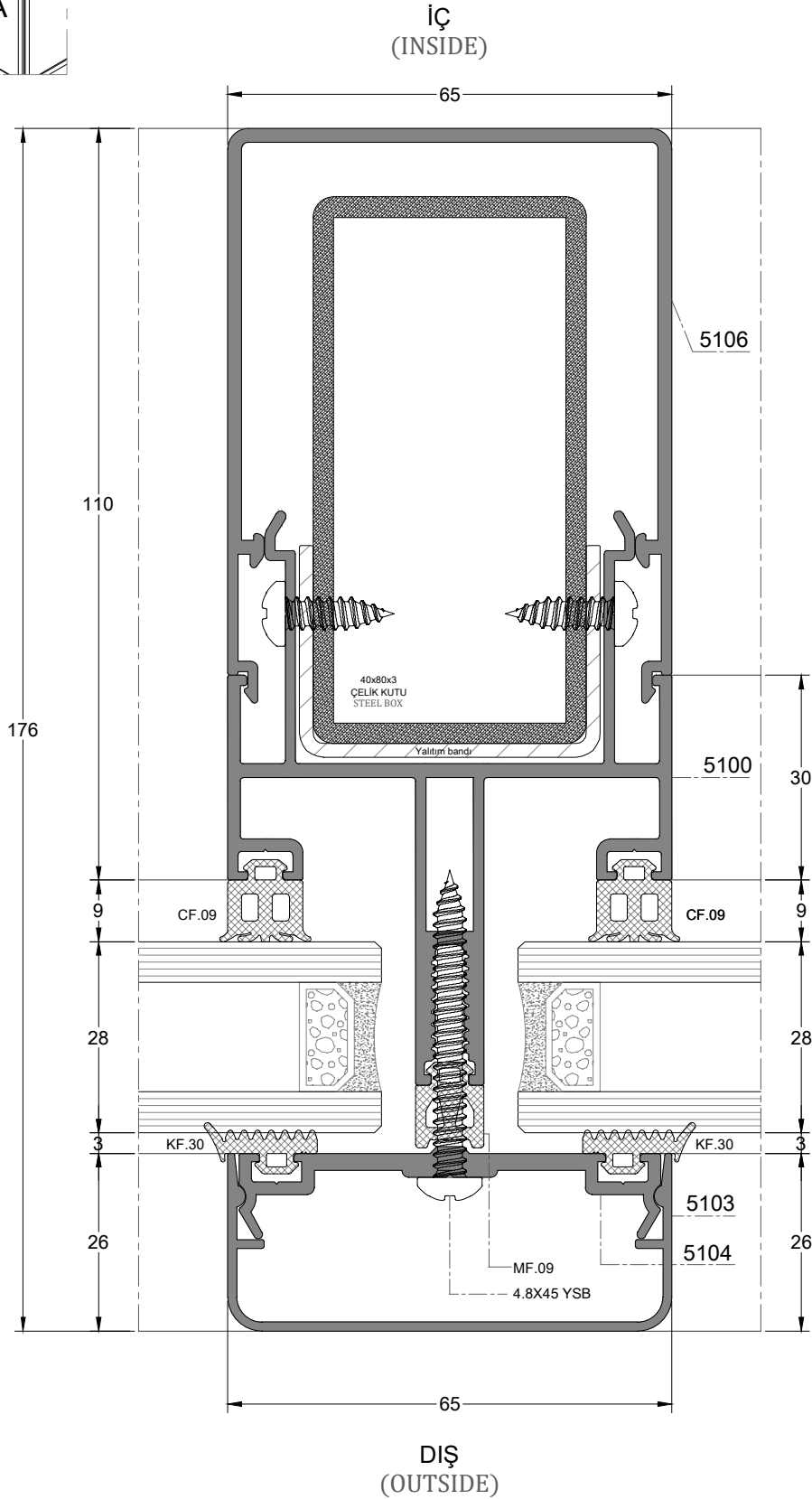
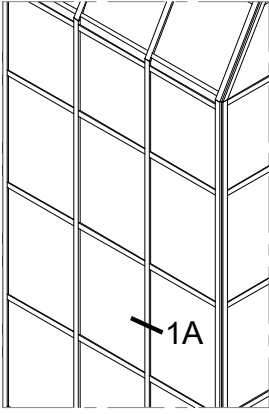
Köşe Takoz Profil Kodu	Kullanıldığı Profil	Kesim Boyu (mm)
Corner Wedge Profile Code	Used Profile	Cutting Length (mm)
1553	5068	29,00 mm
	5032	29,00 mm
	5071	29,00 mm
	5067	6,00 mm

# FS65 KAPAKLI CEPHE COVERED FACADE





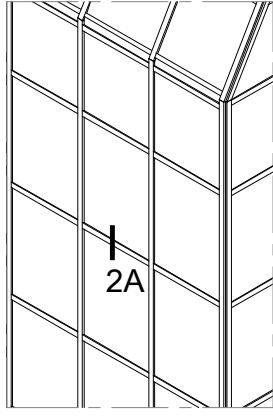
KAPAKLI CEPHE HEMYÜZ DÜŞEY DETAYI  
COVERED FACADE SYMMETRICAL VERTICAL DETAIL



D-1A



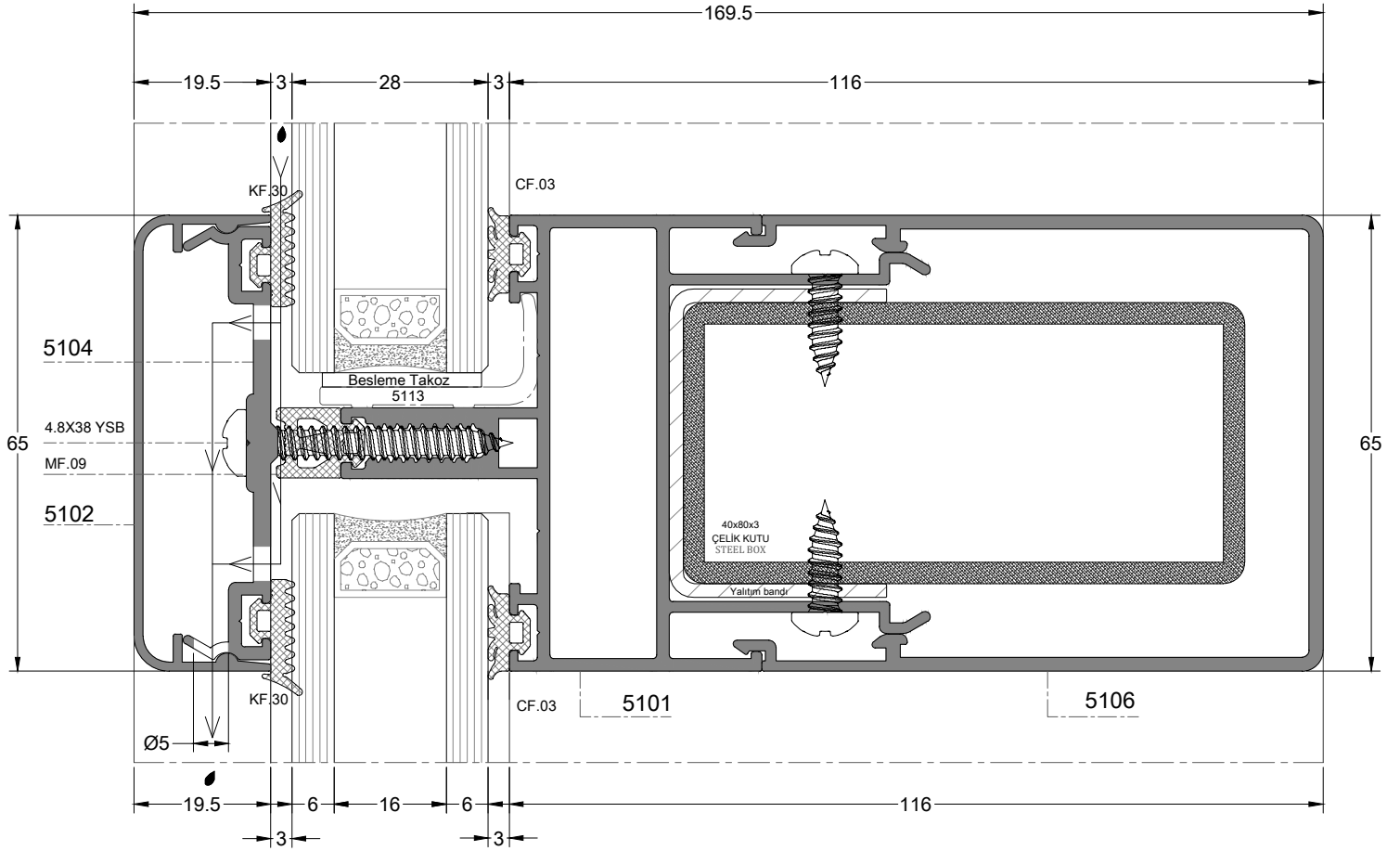




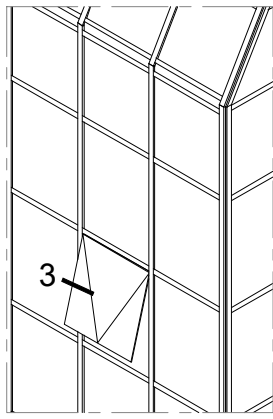
KAPAKLI CEPHE HEMYÜZ YATAY DETAYI  
COVERED FACADE SYMMETRICAL HORIZONTAL DETAIL

DIŞ  
(OUTSIDE)

İÇ  
(INSIDE)

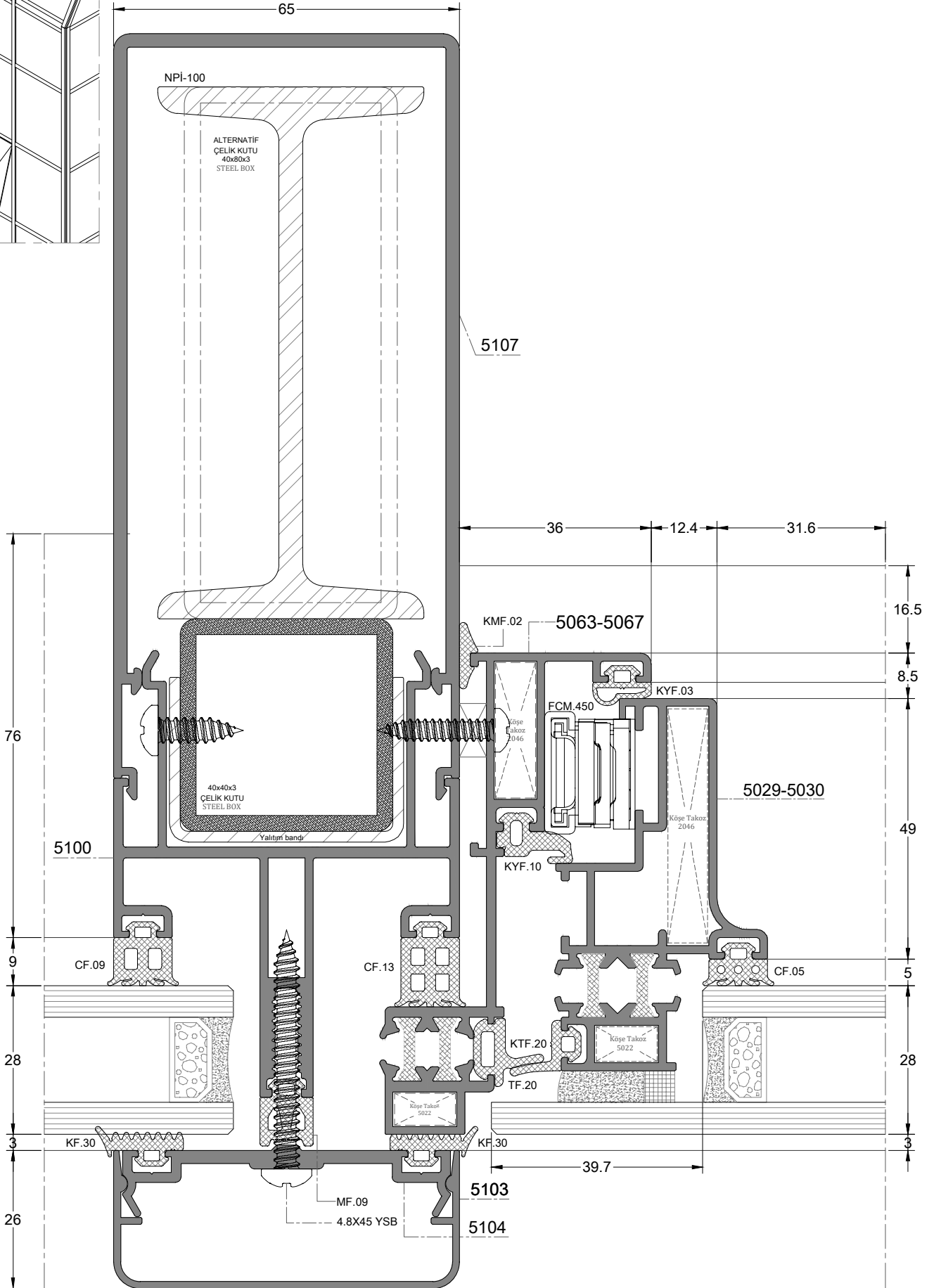


D-2A



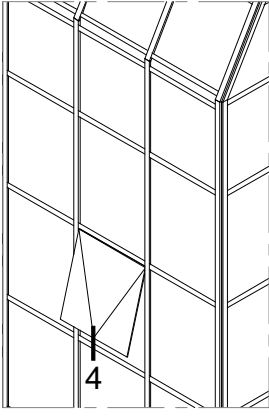
İÇ  
(INSIDE)

KAPAKLI CEPHE AÇILIR KANAT DÜŞEY DETAYI  
COVERED FACADE OUTWARD OPENING SASH VERTICAL DETAIL

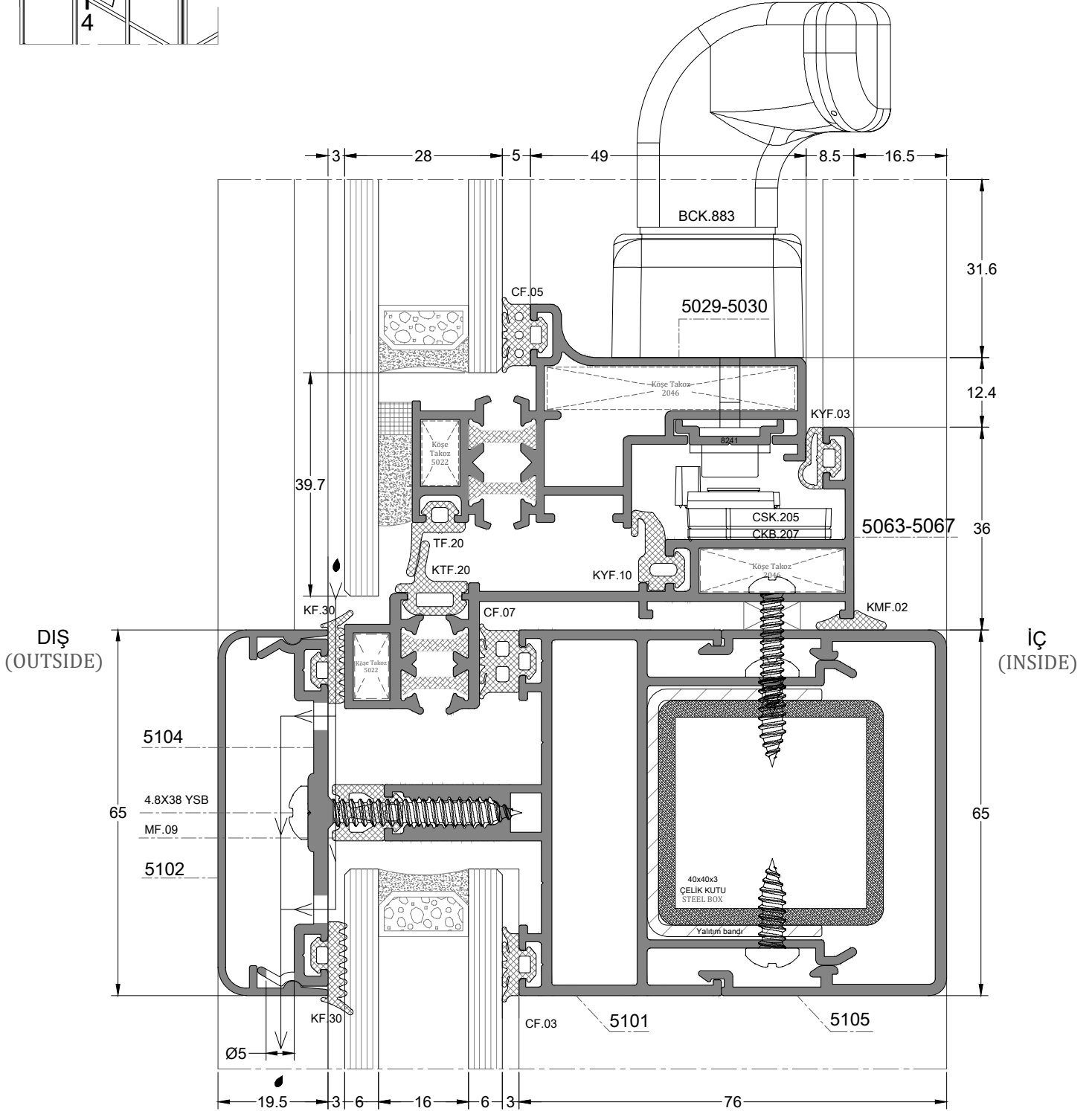


DIŞ  
(OUTSIDE)

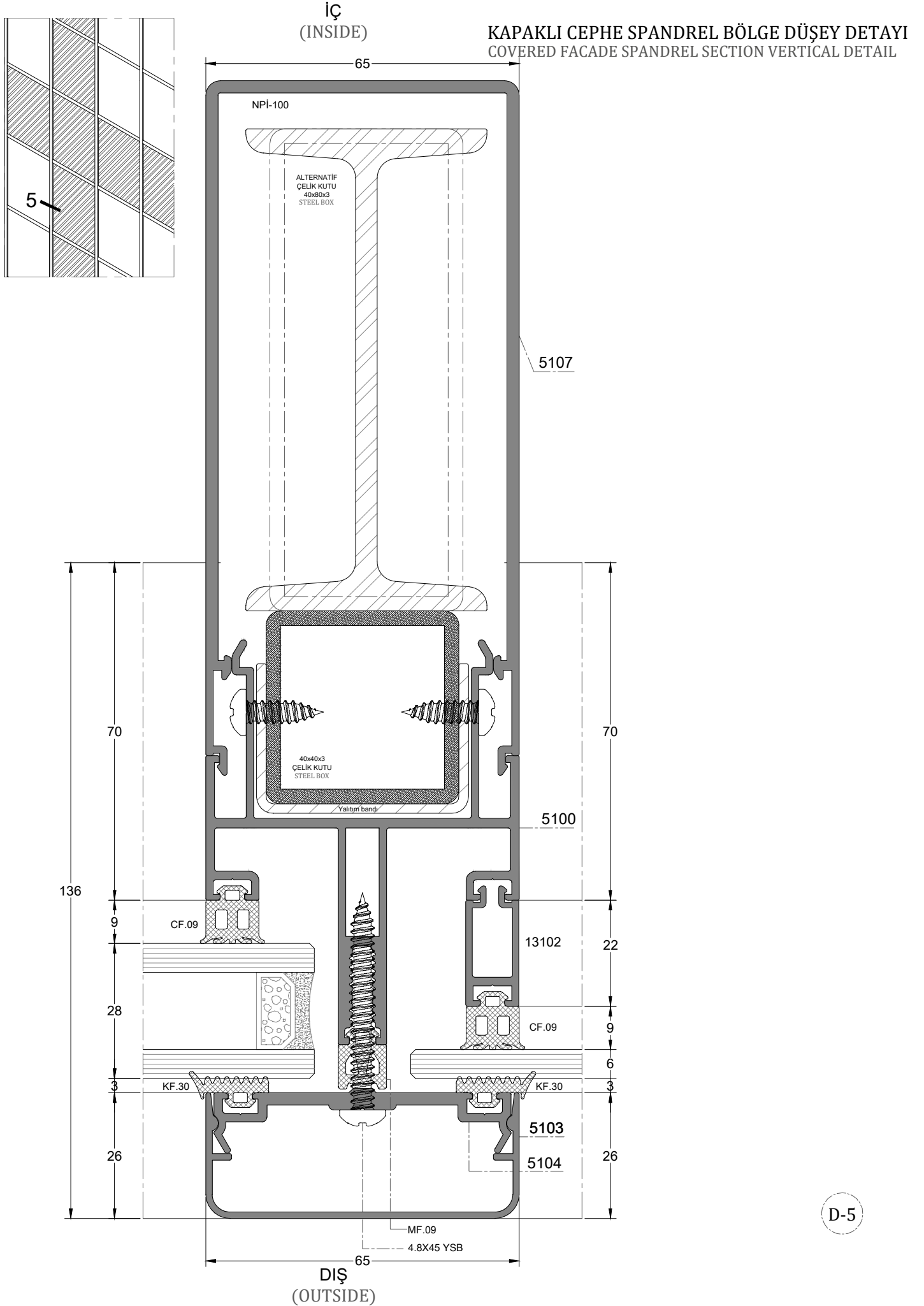
D-3



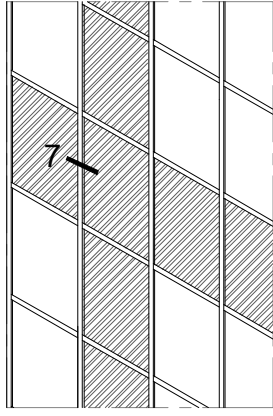
KAPAKLI CEPHE AÇILIR KANAT YATAY DETAYI  
COVERED FACADE OUTWARD OPENING SASH HORIZONTAL DETAIL



D-4

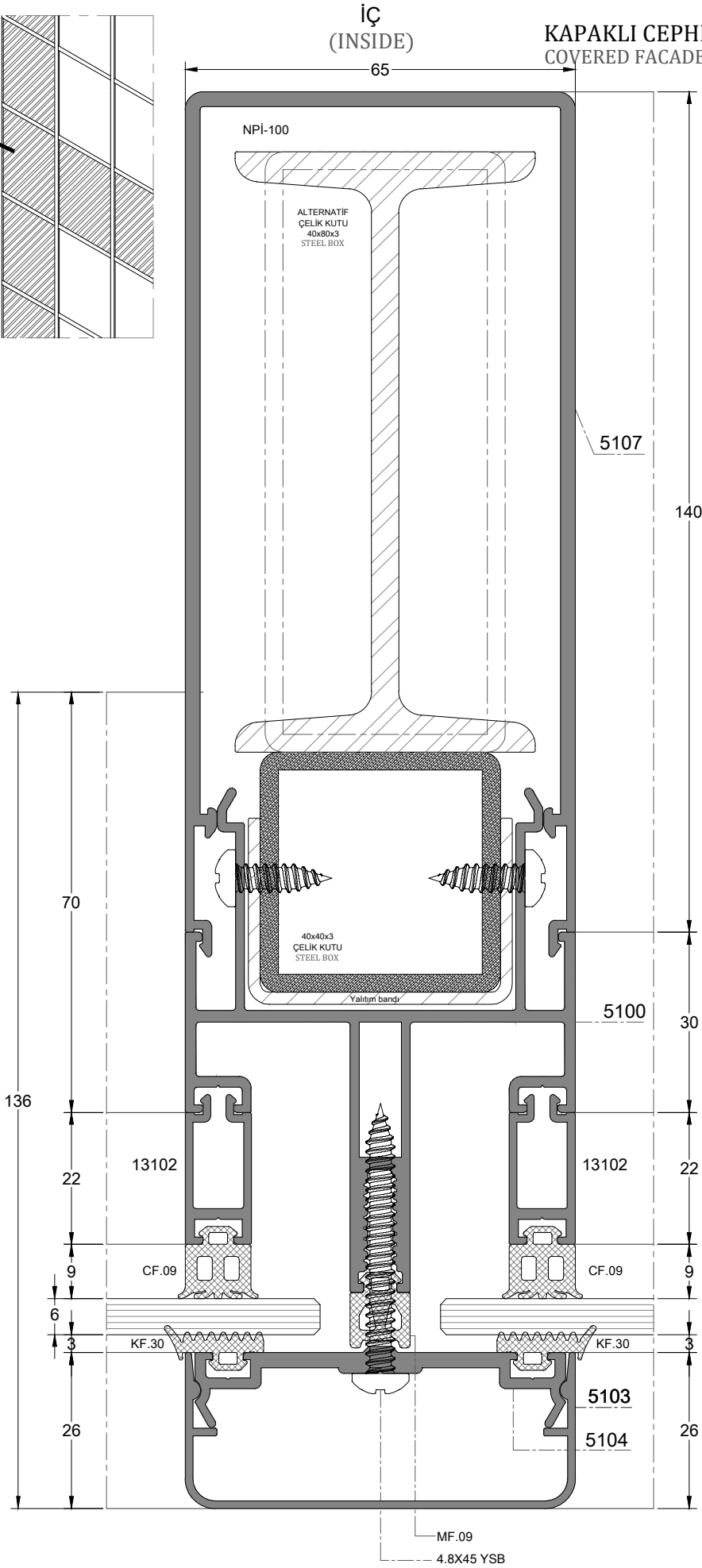






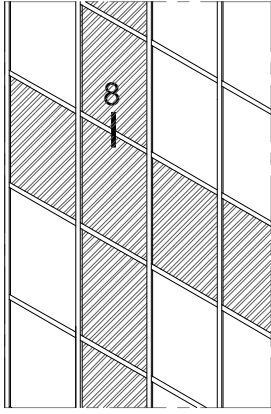
İÇ  
(INSIDE)

KAPAKLI CEPHE SPANDREL BÖLGE DÜŞEY DETAYI  
COVERED FACADE SPANDREL SECTION VERTICAL DETAIL

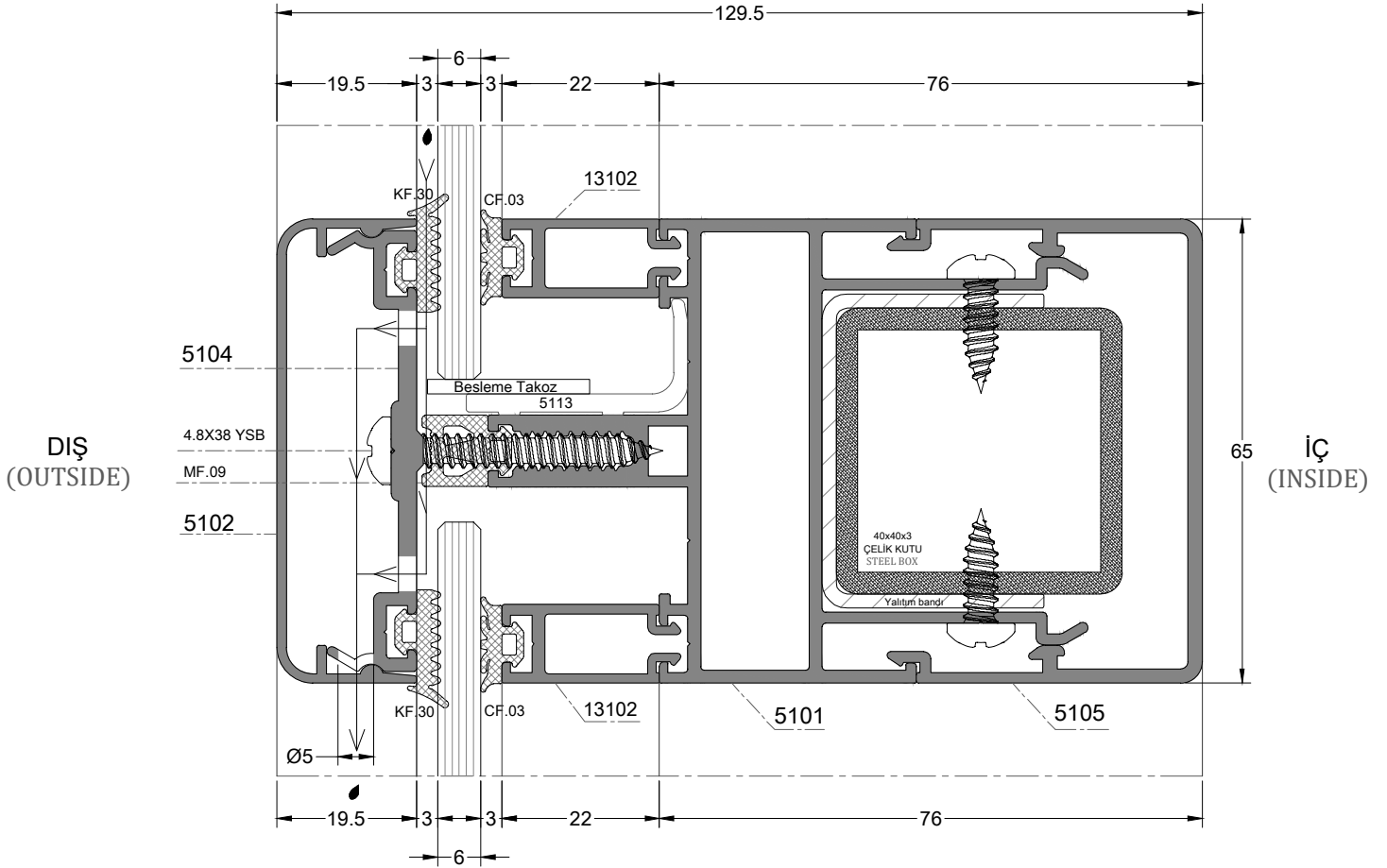


DIŞ  
(OUTSIDE)

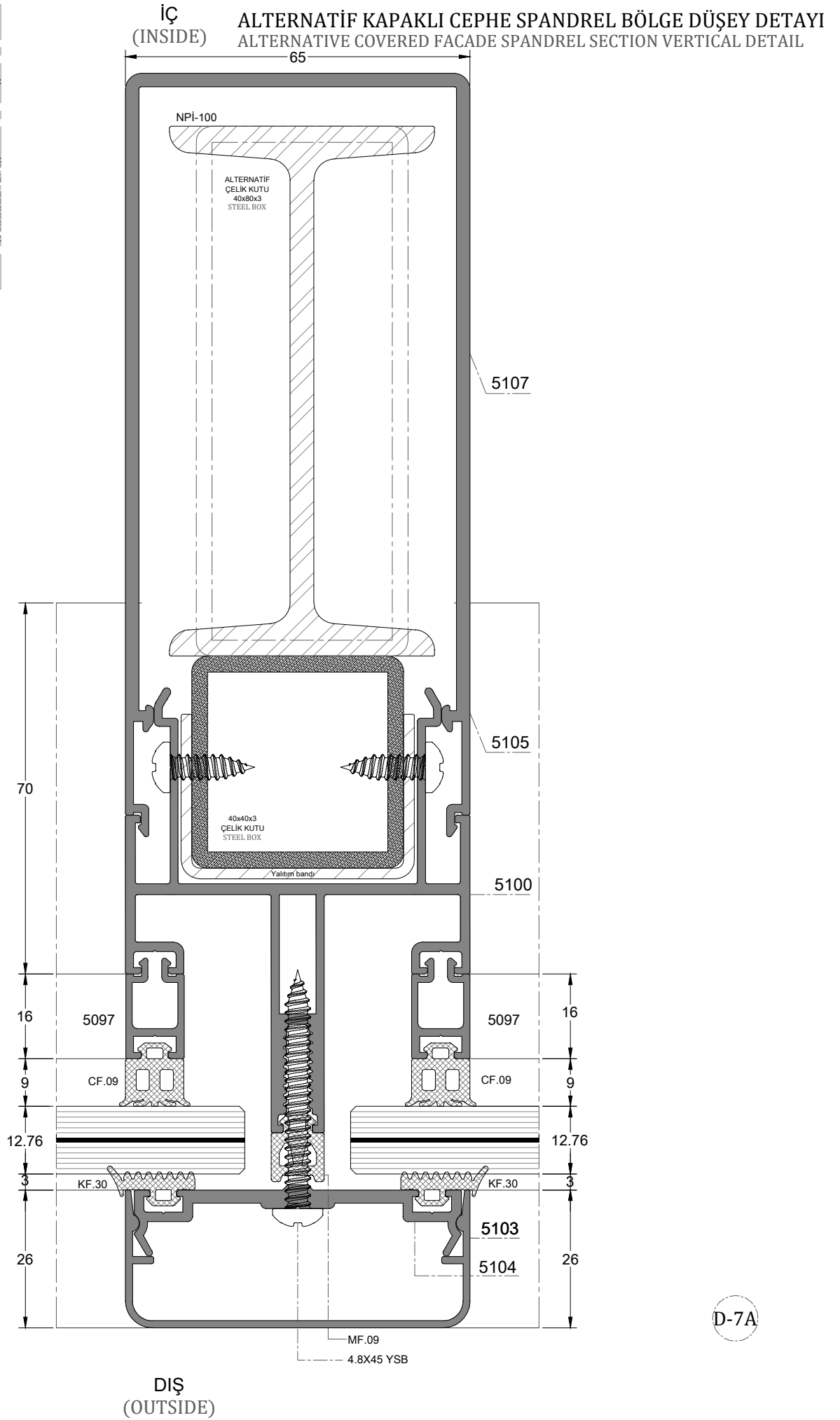
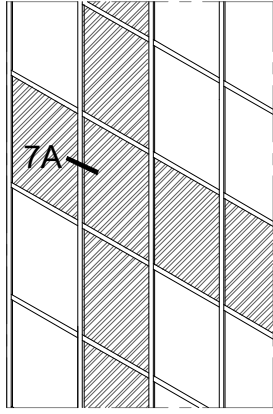
D-7



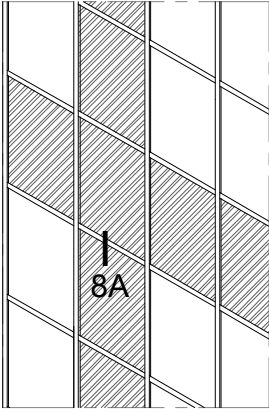
KAPAKLI CEPHE SPANDREL BÖLGE YATAY DETAYI  
COVERED FACADE SPANDREL SECTION HORIZONTAL DETAIL





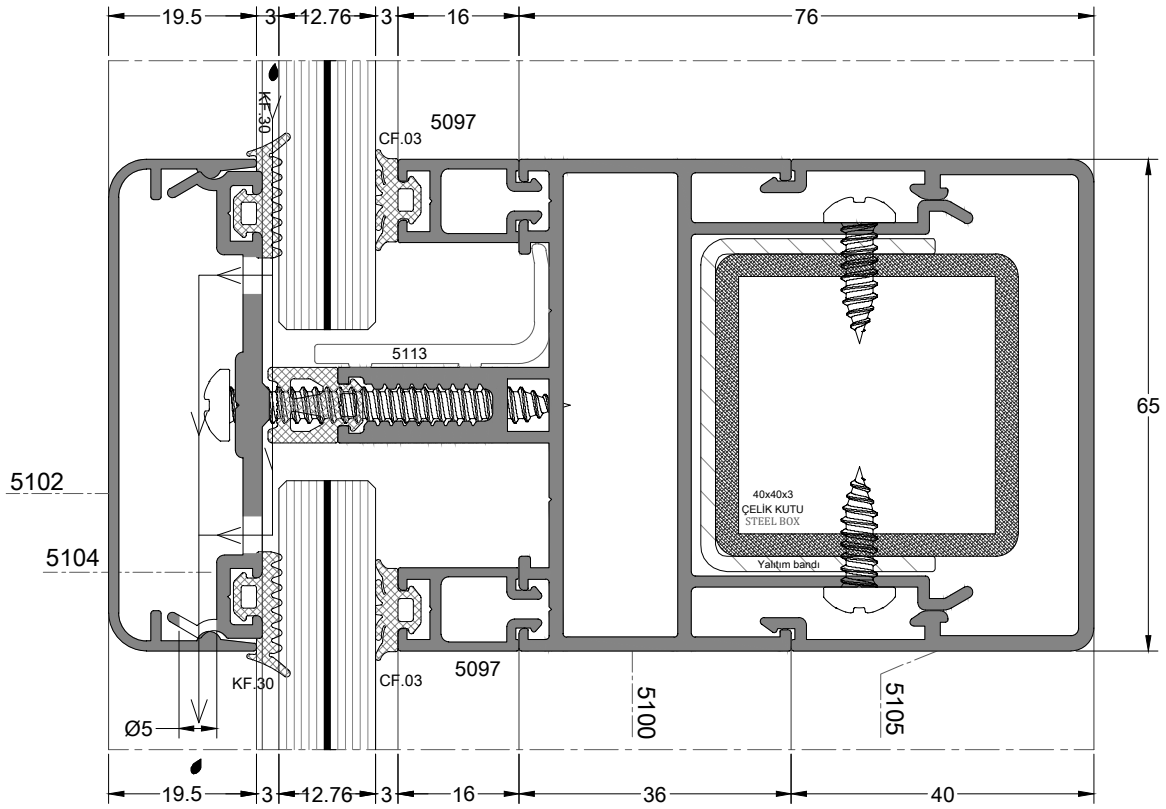


D-7A



ALTERNATİF KAPAKLI CEPHE SPANDREL BÖLGE DÜŞEY DETAYI  
ALTERNATIVE COVERED FACADE SPANDREL SECTION VERTICAL DETAIL

İÇ  
(INSIDE)



DIŞ  
(OUTSIDE)

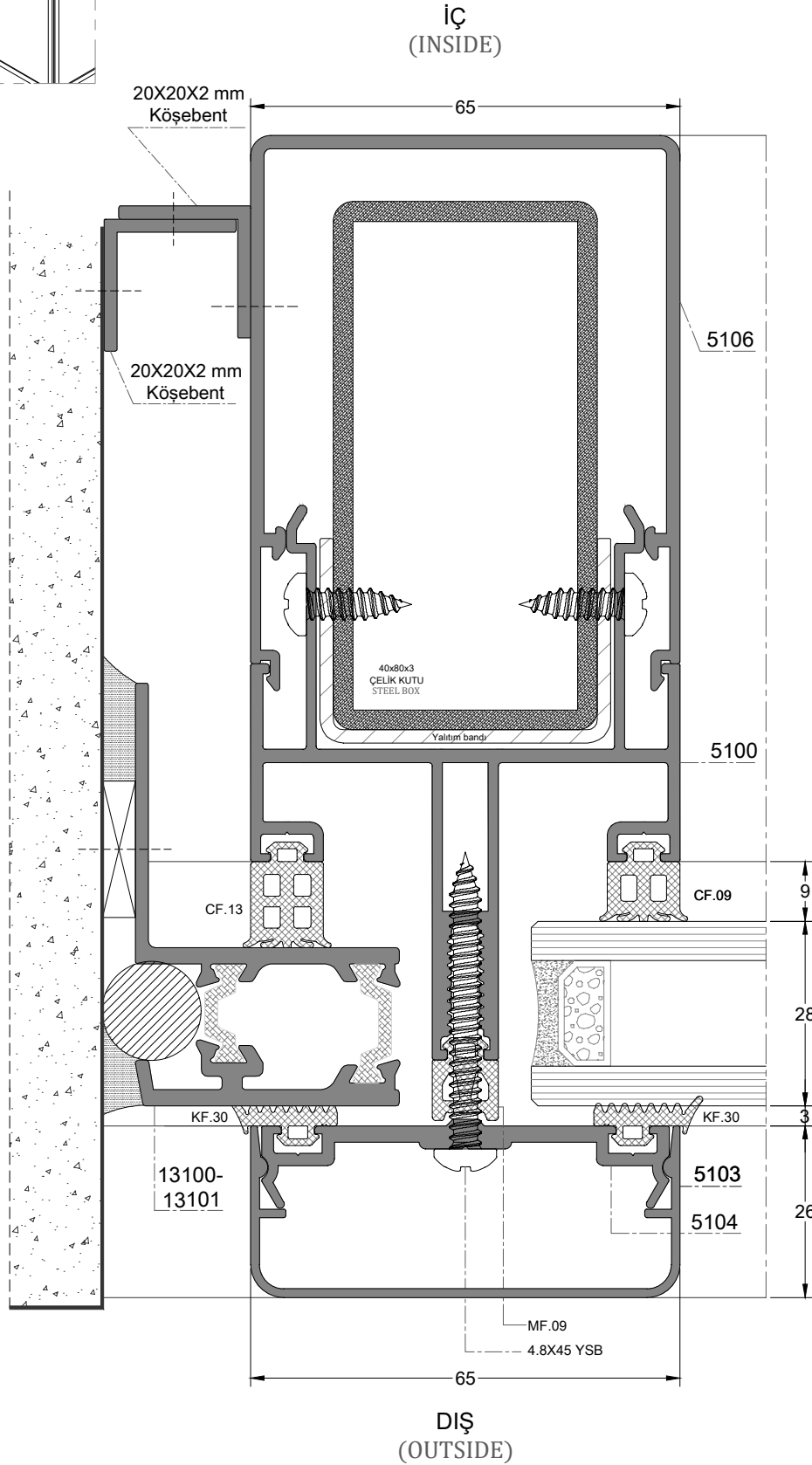
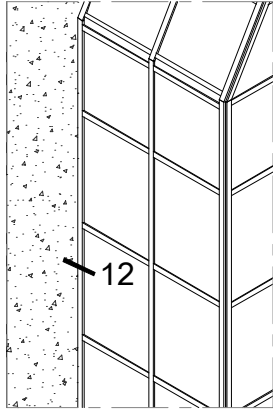
D-7A





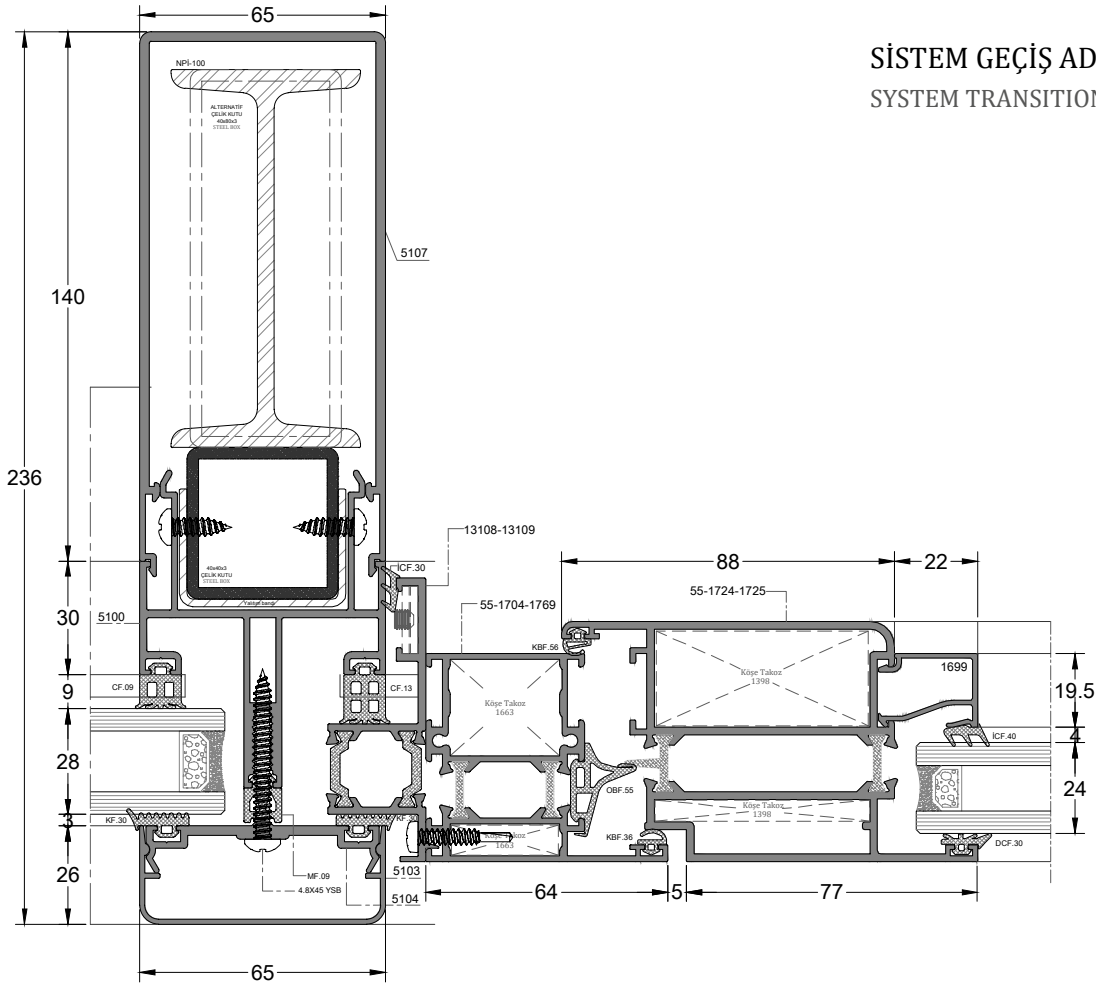


KAPAKLI CEPHE DUVAR BİTİŞ DETAYI  
COVERED FACADE WALL FINISH DETAIL

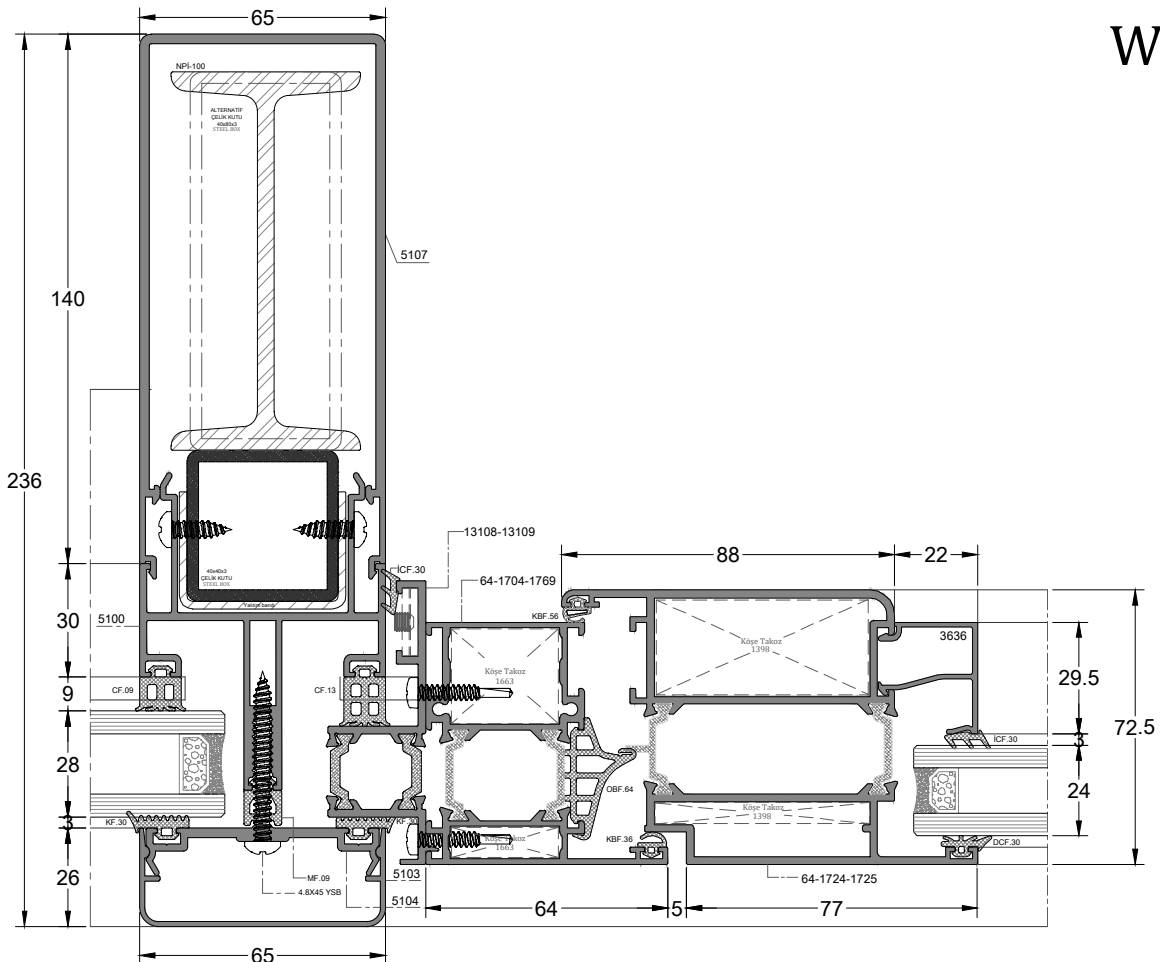


SİSTEM GEÇİŞ ADAPTÖR DETAYI  
SYSTEM TRANSITION ADAPTER DETAIL

WD55T



WD64T

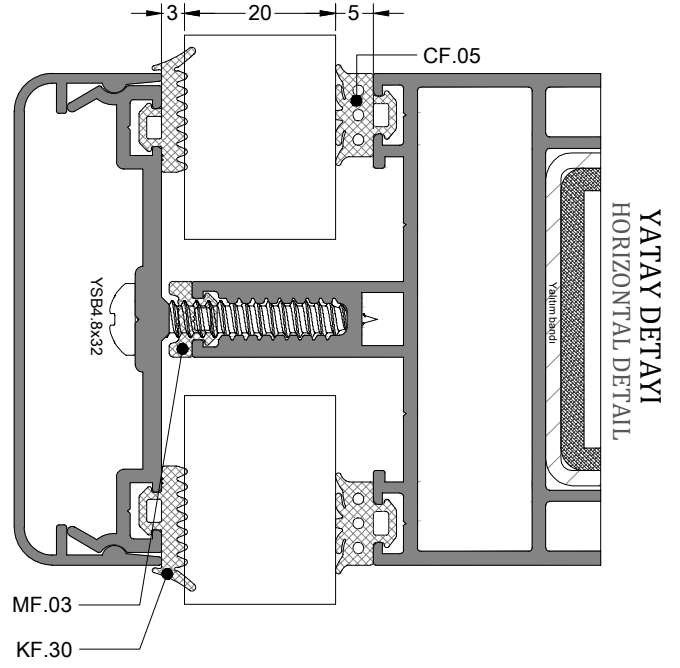
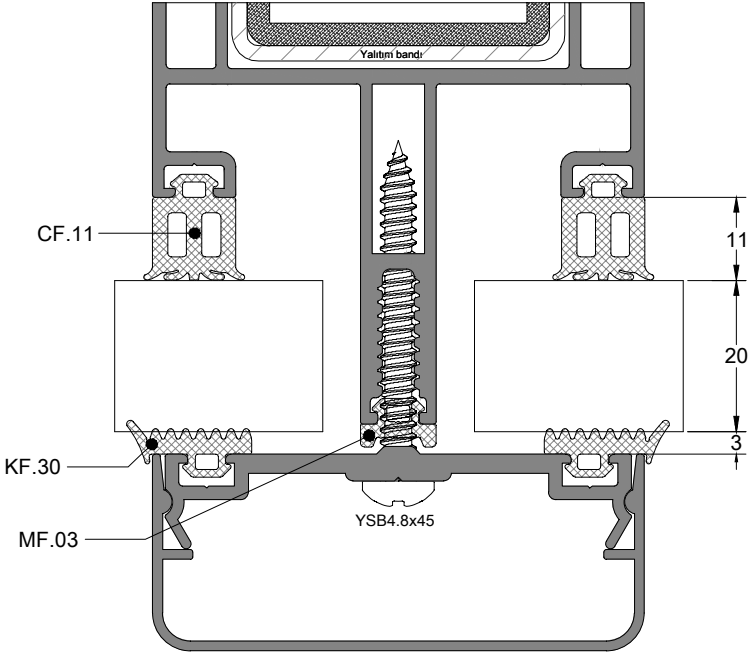






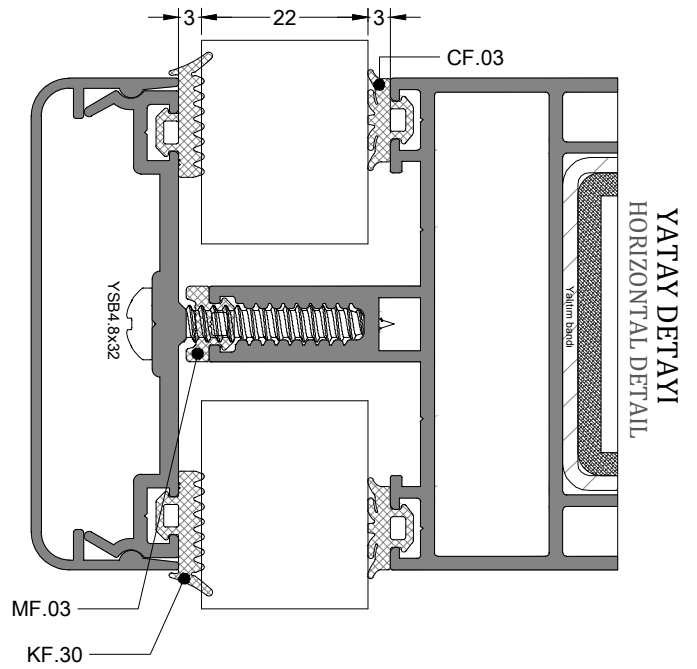
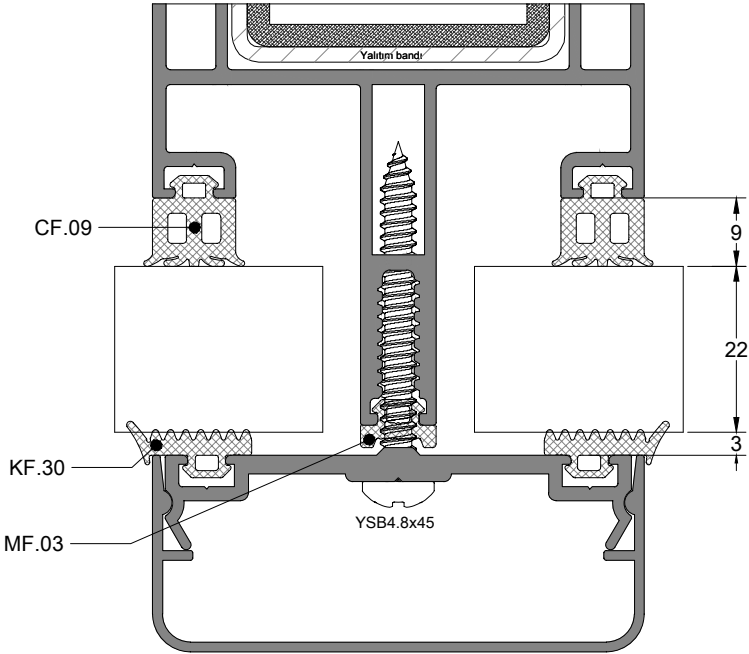
# 20 MM

DÜŞEY DETAYI  
VERTICAL DETAIL



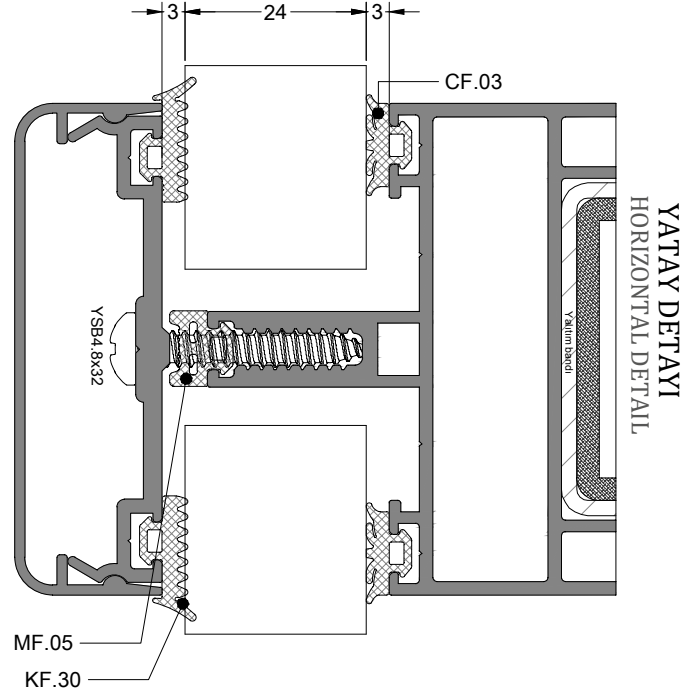
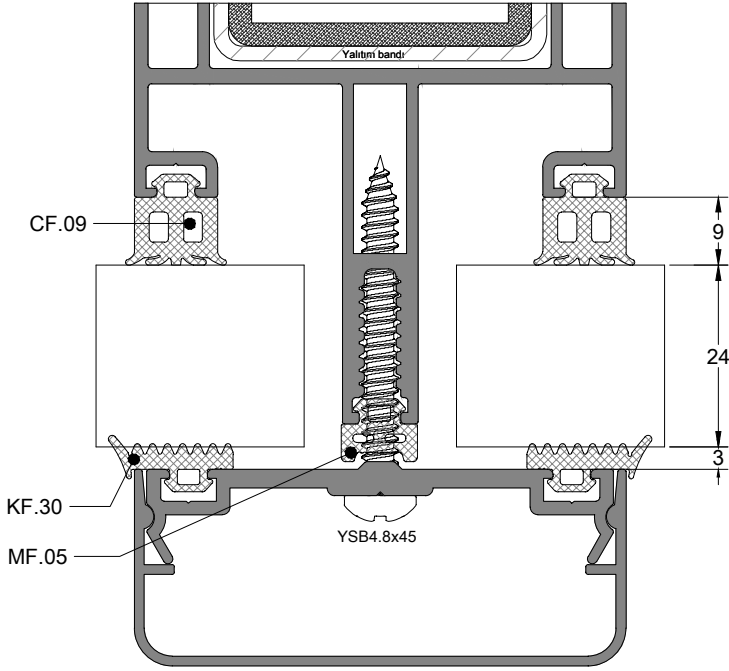
# 22 MM

DÜŞEY DETAYI  
VERTICAL DETAIL



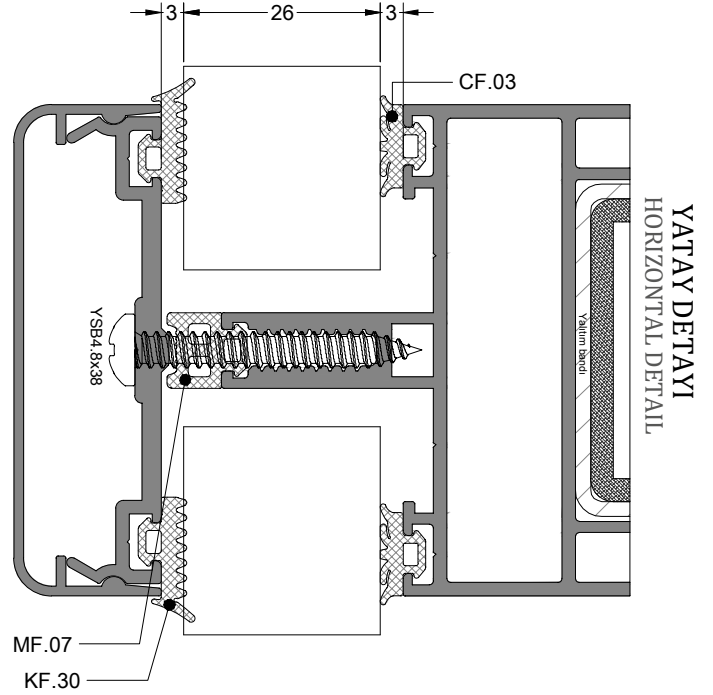
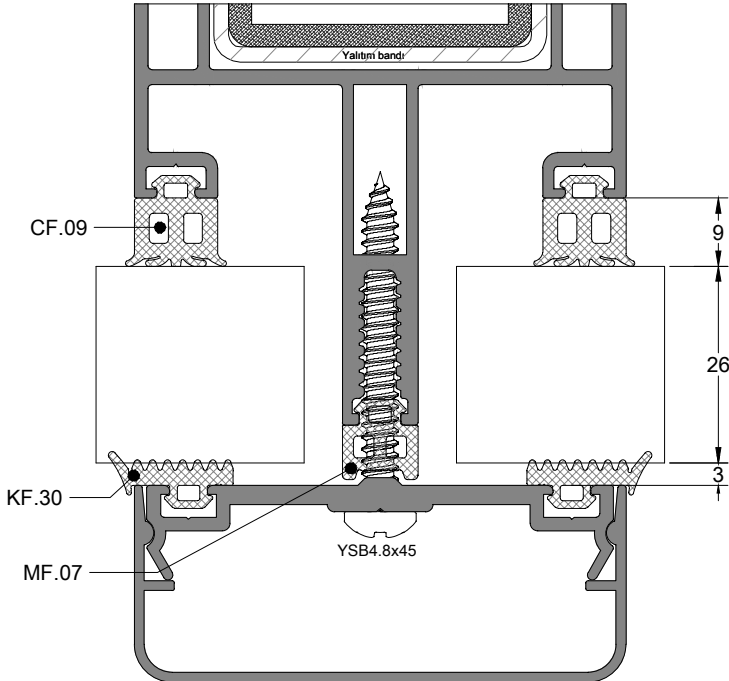
## 24 MM

DÜŞEY DETAYI  
VERTICAL DETAIL



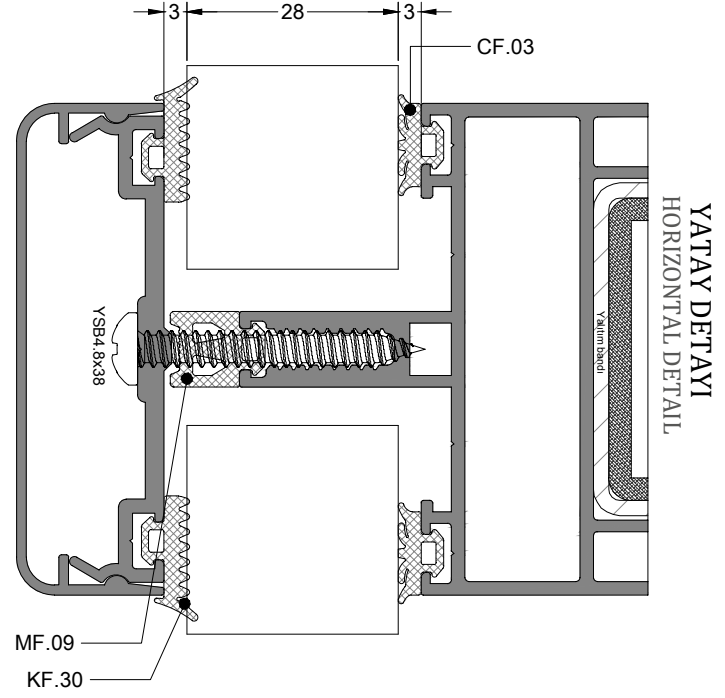
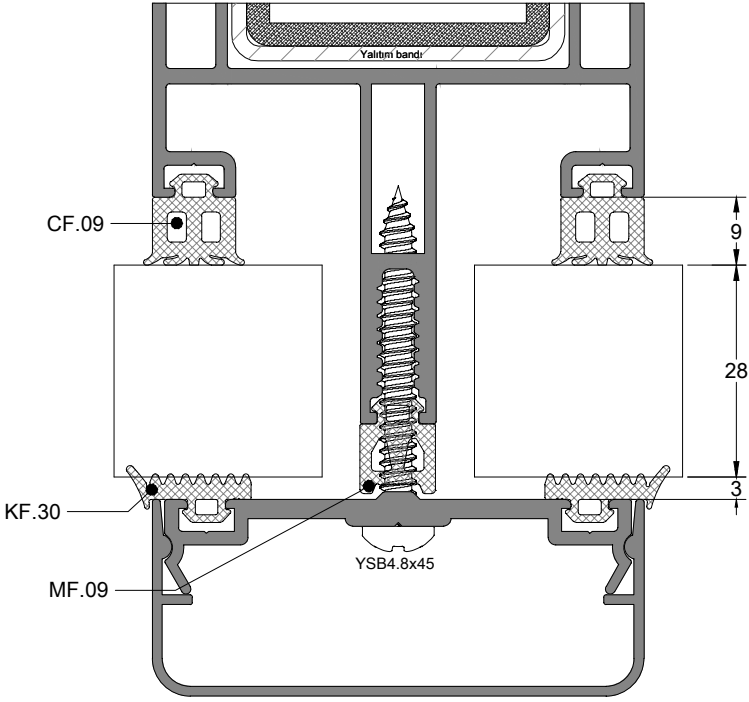
## 26 MM

DÜŞEY DETAYI  
VERTICAL DETAIL



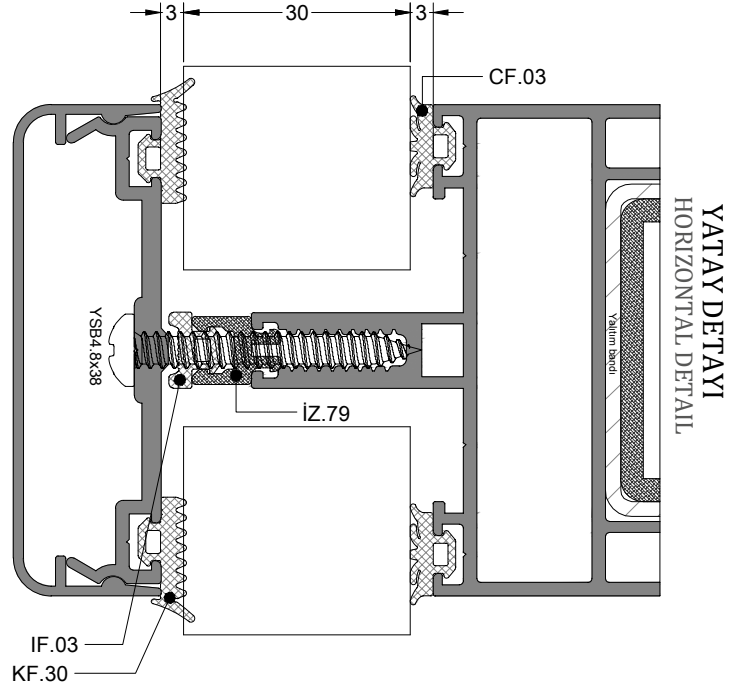
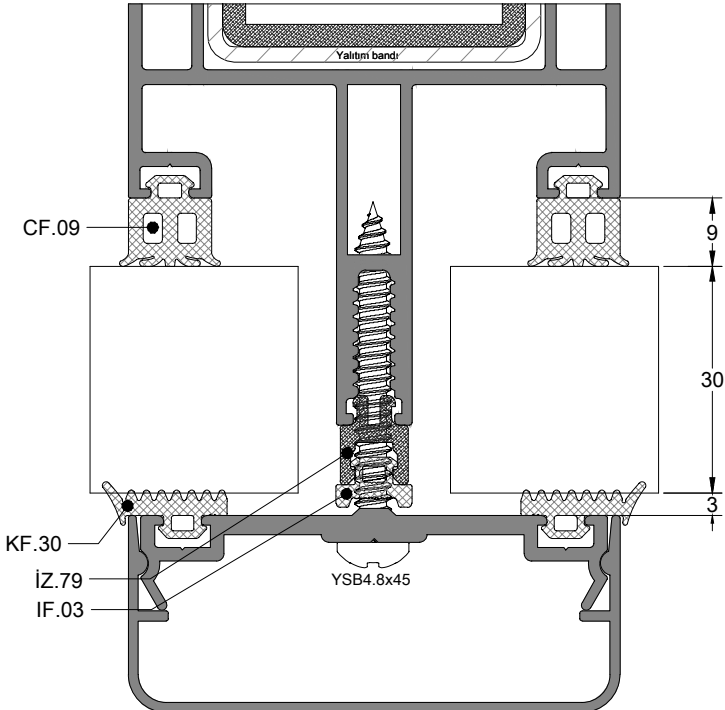
# 28 MM

DÜŞEY DETAYI  
VERTICAL DETAIL



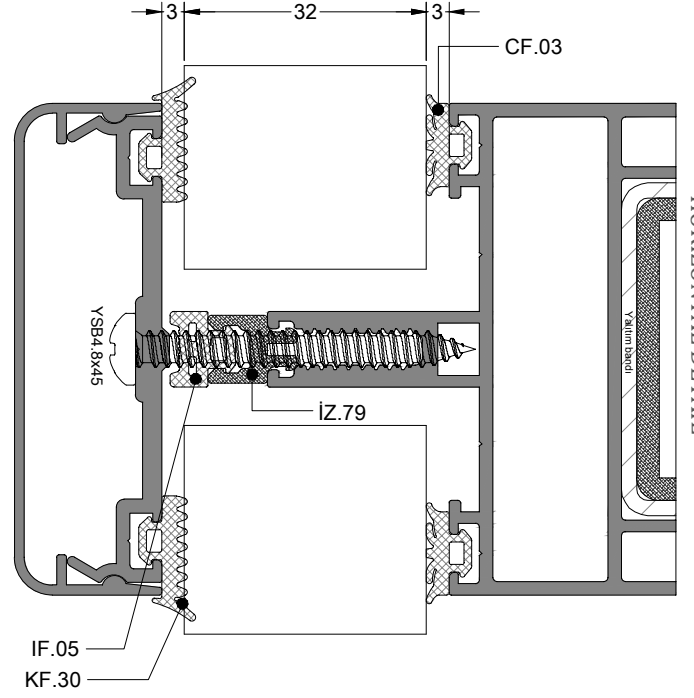
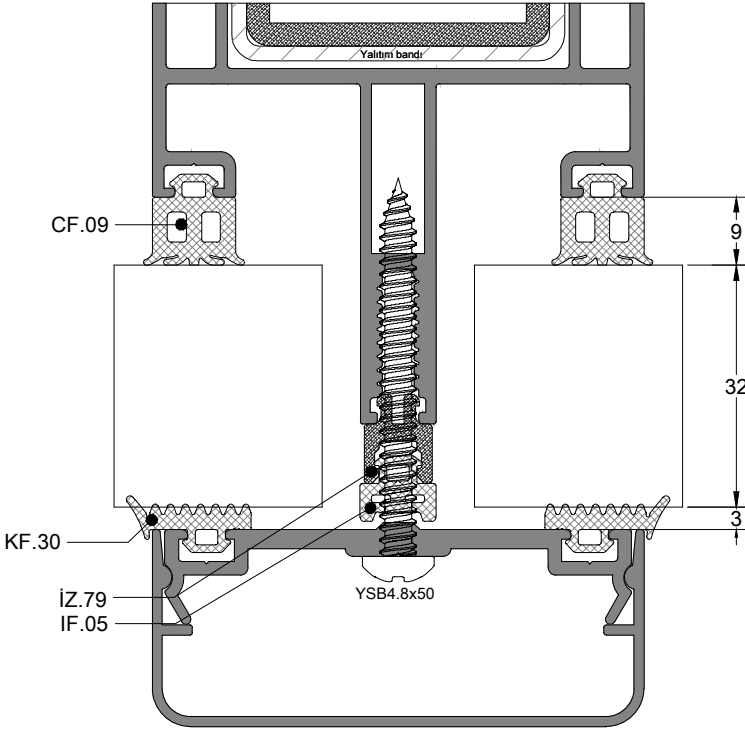
# 30 MM

DÜŞEY DETAYI  
VERTICAL DETAIL



# 32 MM

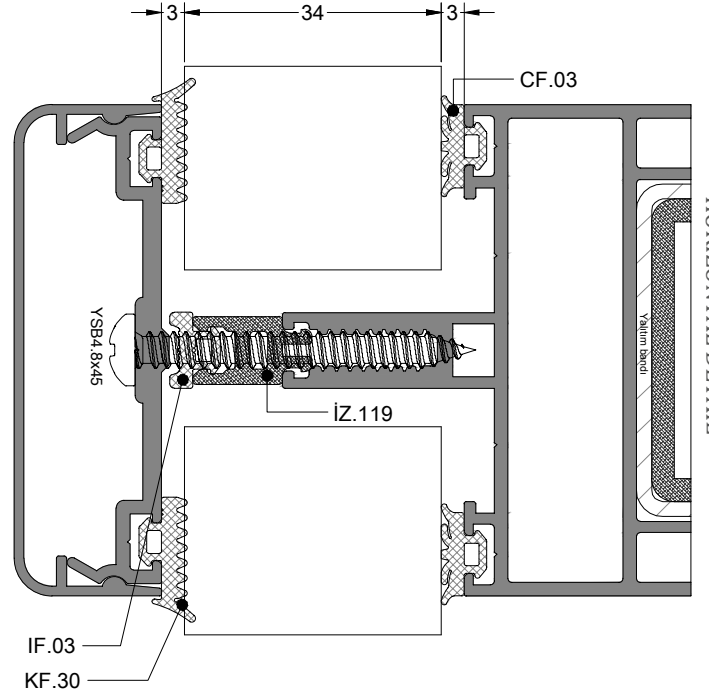
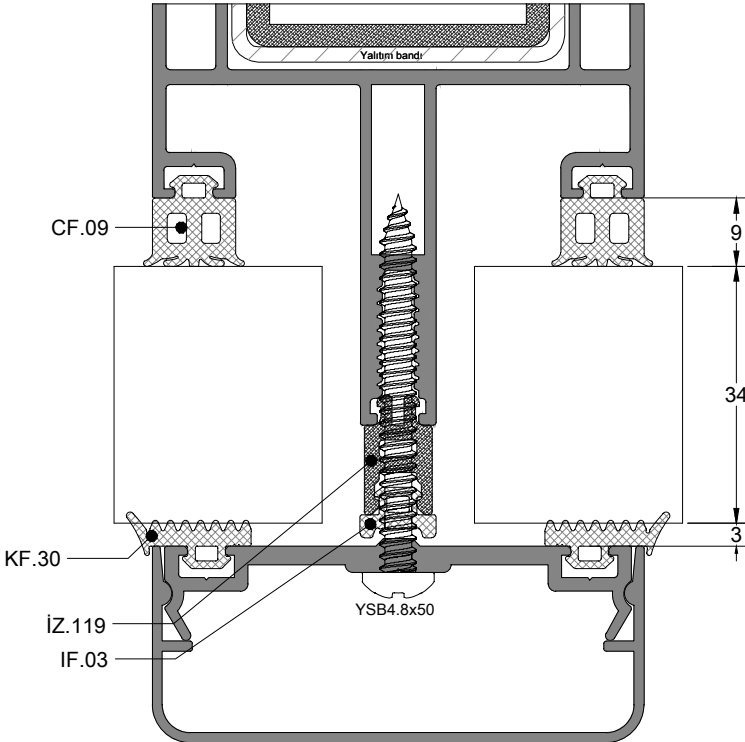
DÜŞEY DETAYI  
VERTICAL DETAIL



YATAY DETAYI  
HORIZONTAL DETAIL

# 34 MM

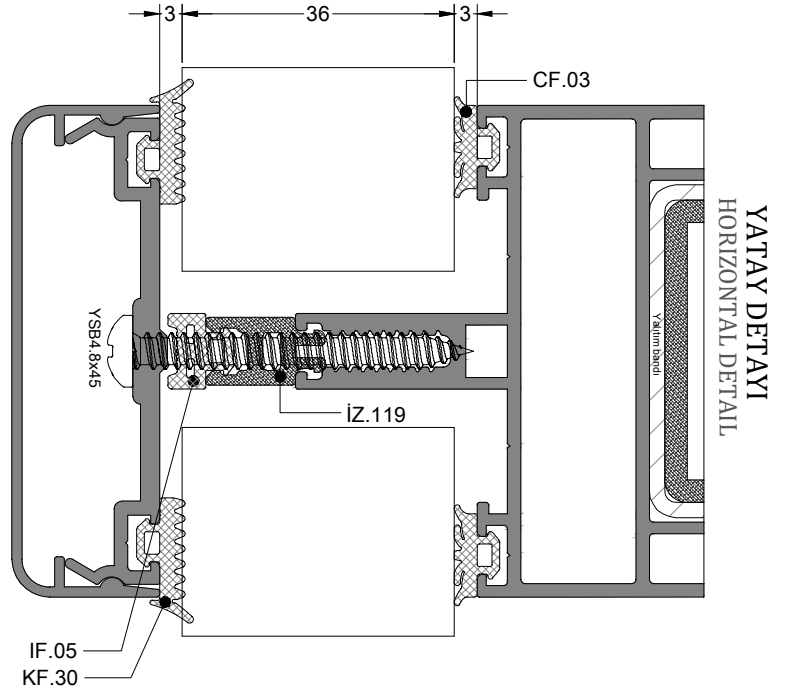
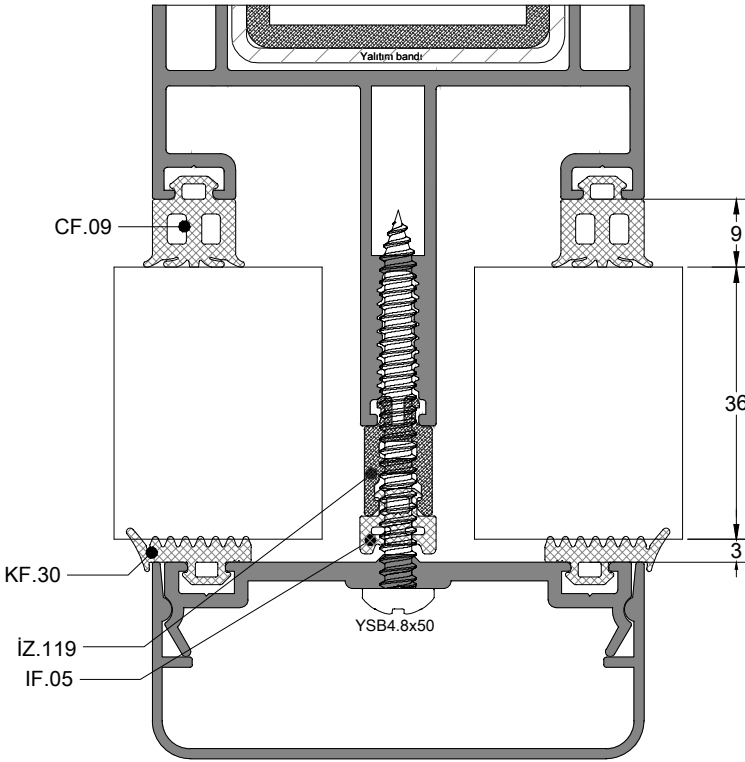
DÜŞEY DETAYI  
VERTICAL DETAIL



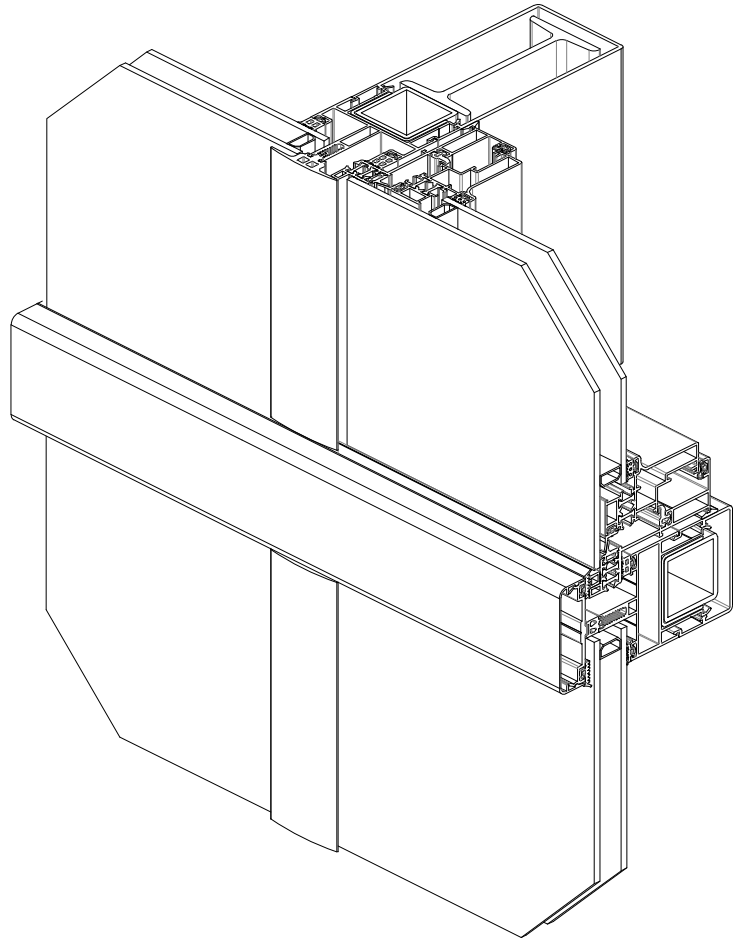
YATAY DETAYI  
HORIZONTAL DETAIL

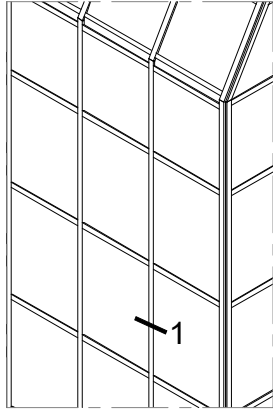
# 36 MM

DÜŞEY DETAYI  
VERTICAL DETAIL

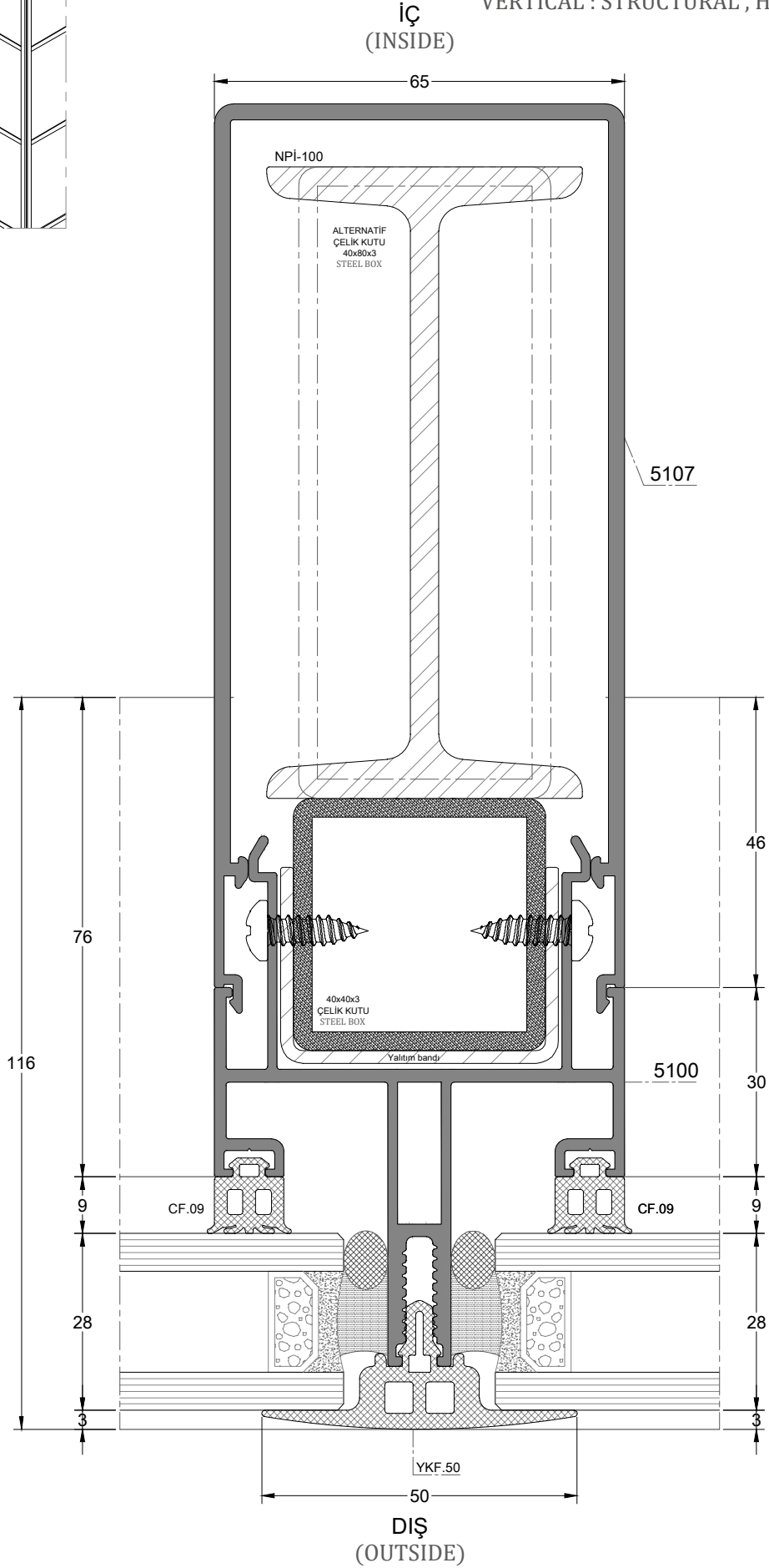


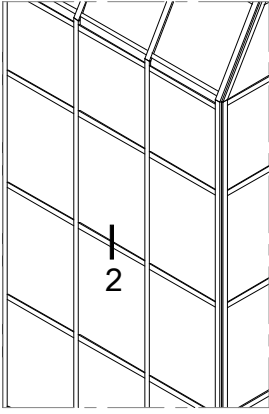
# FS65 YARI KAPAKLI CEPHE SEMI COVERED FACADE



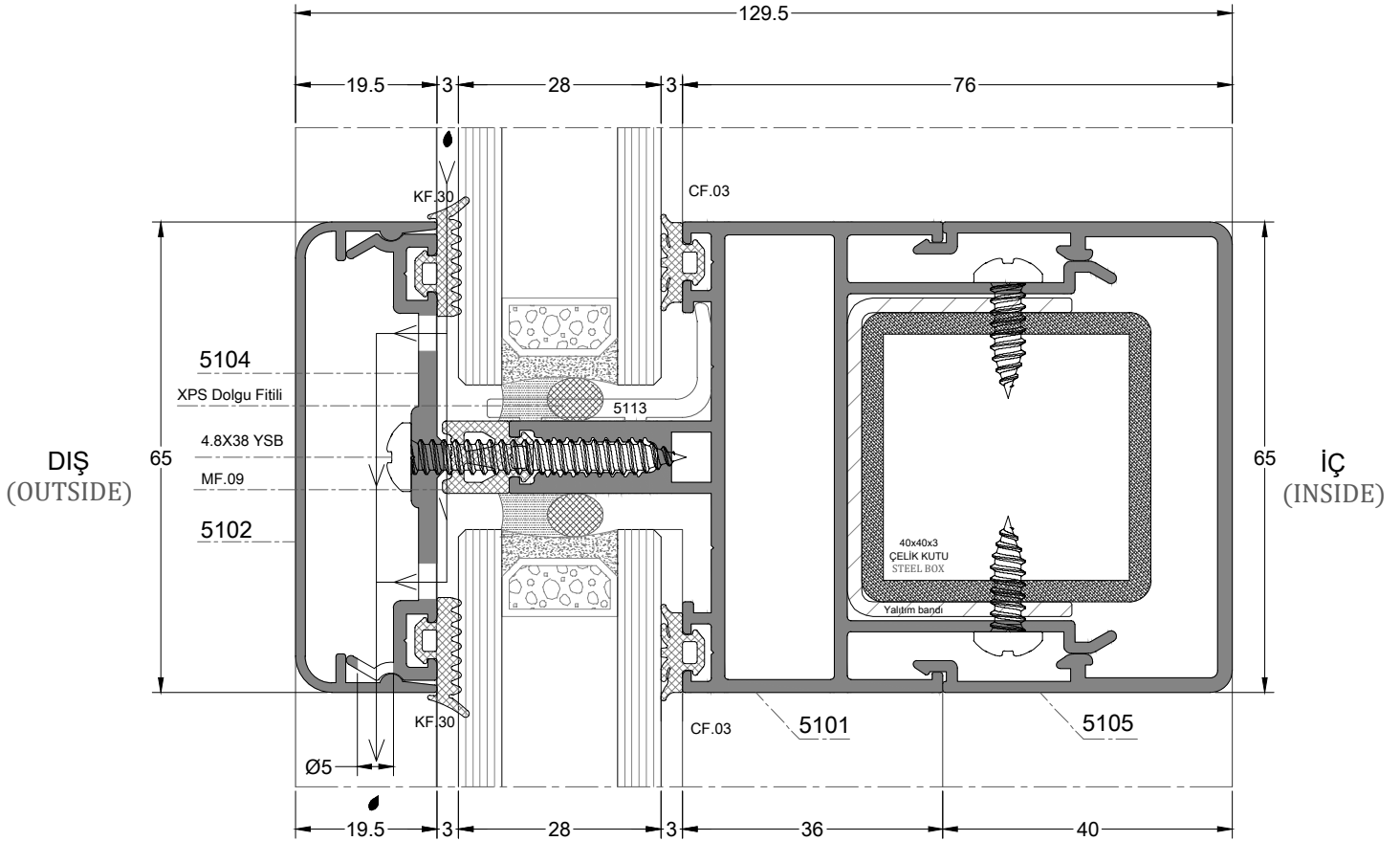


YARI KAPAKLI CEPHE YATAY DETAYI  
( DÜŞEY : SİLİKONLU , YATAY : KAPAKLI )  
SEMI COVERED FACADE HORIZONTAL DETAIL  
VERTICAL : STRUCTURAL , HORIZONTAL : COVERED

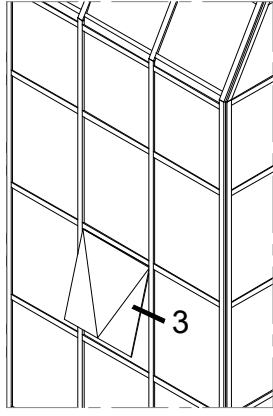




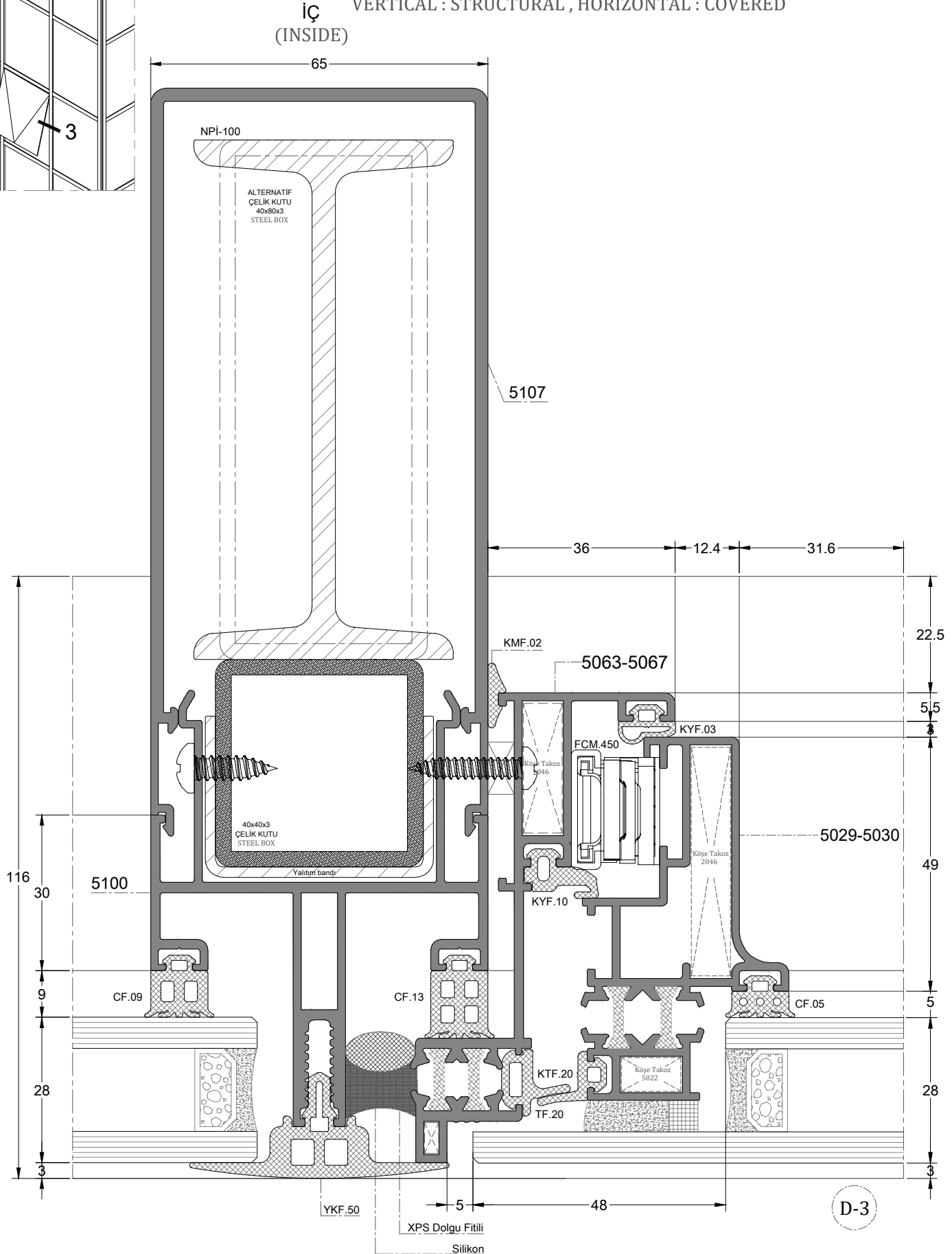
YARI KAPAKLI CEPHE YATAY DETAYI  
( DÜŞEY : SİLİKONLU , YATAY : KAPAKLI )  
SEMI COVERED FACADE HORIZONTAL DETAIL  
VERTICAL : STRUCTURAL , HORIZONTAL : COVERED



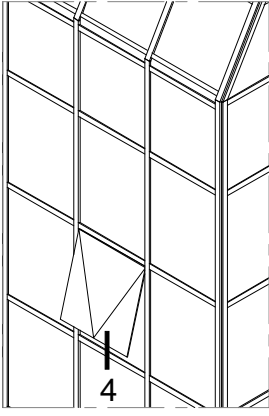




YARI KAPAKLI CEPHE AÇILIR KANAT DÜŞEY DETAYI  
( DÜŞEY : SİLİKONLU , YATAY : KAPAKLI )  
SEMI COVERED FACADE OUTWARD OPENING SASH VERTICAL DETAIL  
VERTICAL : STRUCTURAL , HORIZONTAL : COVERED



DIŞ  
(OUTSIDE)

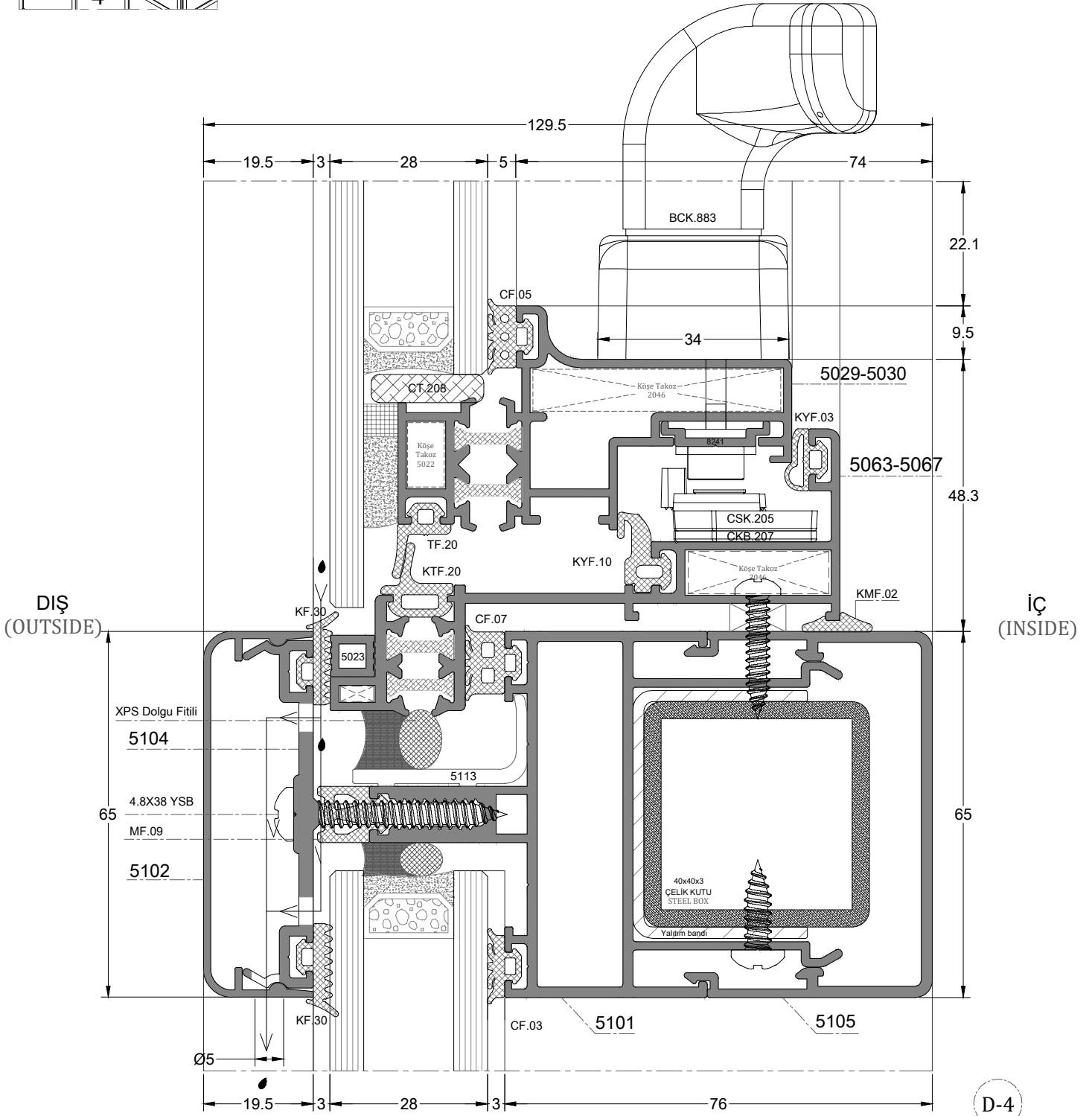


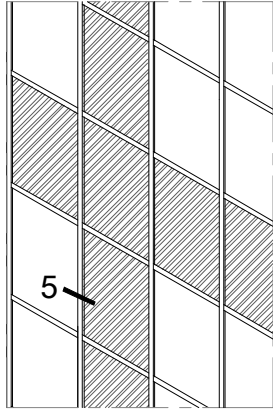
YARI KAPAKLI CEPHE AÇILIR KANAT YATAY DETAYI

( DÜŞEY : SİLİKONLU , YATAY : KAPAKLI )

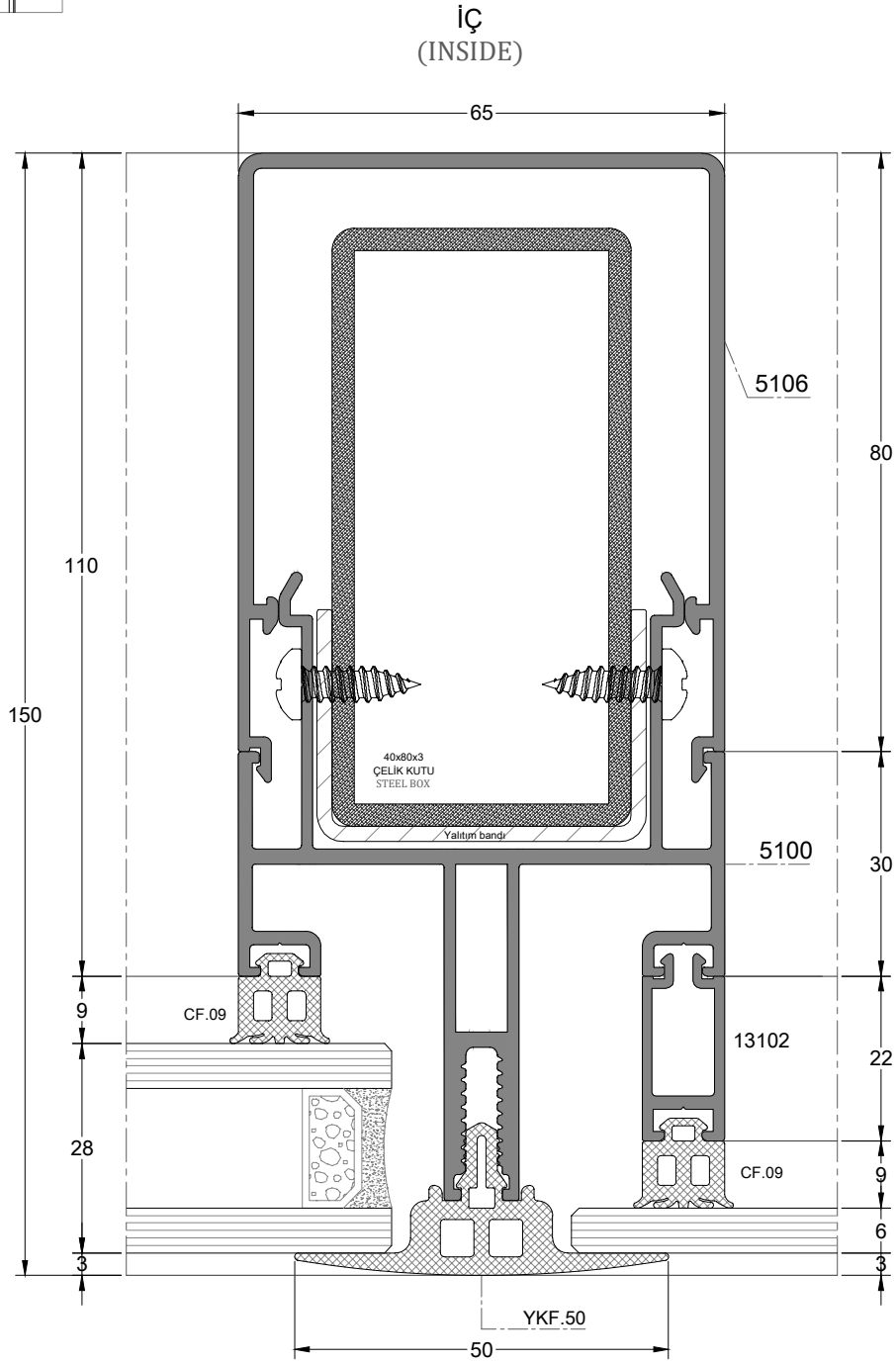
SEMI COVERED FACADE OUTWARD OPENING SASH HORIZONTAL DETAIL

VERTICAL : STRUCTURAL , HORIZONTAL : COVERED



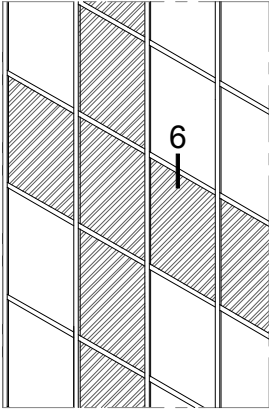


YARI KAPAKLI CEPHE SPANDREL BÖLGE DÜŞEY DETAYI  
( DÜŞEY : SİLİKONLU, YATAY : KAPAKLI )  
SEMI COVERED FACADE SPANDREL VERTICAL DETAIL  
VERTICAL : STRUCTURAL, HORIZONTAL : COVERED



DIŞ  
(OUTSIDE)

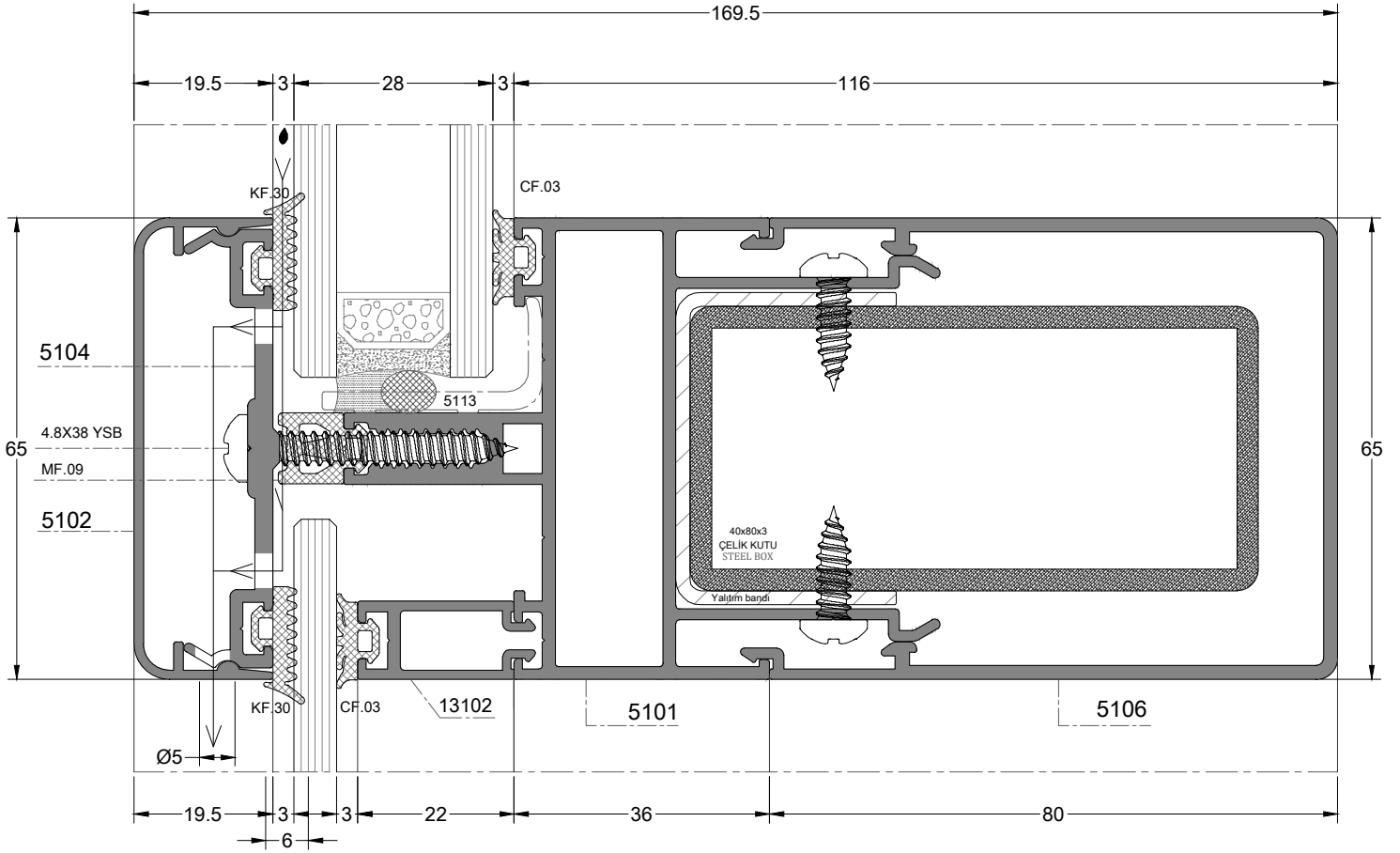
D-5



YARI KAPAKLI CEPHE SPANDREL BÖLGE YATAY DETAYI  
( DÜŞEY : SİLİKONLU, YATAY : KAPAKLI )  
SEMI COVERED FACADE SPANDREL HORIZONTAL DETAIL  
VERTICAL : STRUCTURAL, HORIZONTAL : COVERED

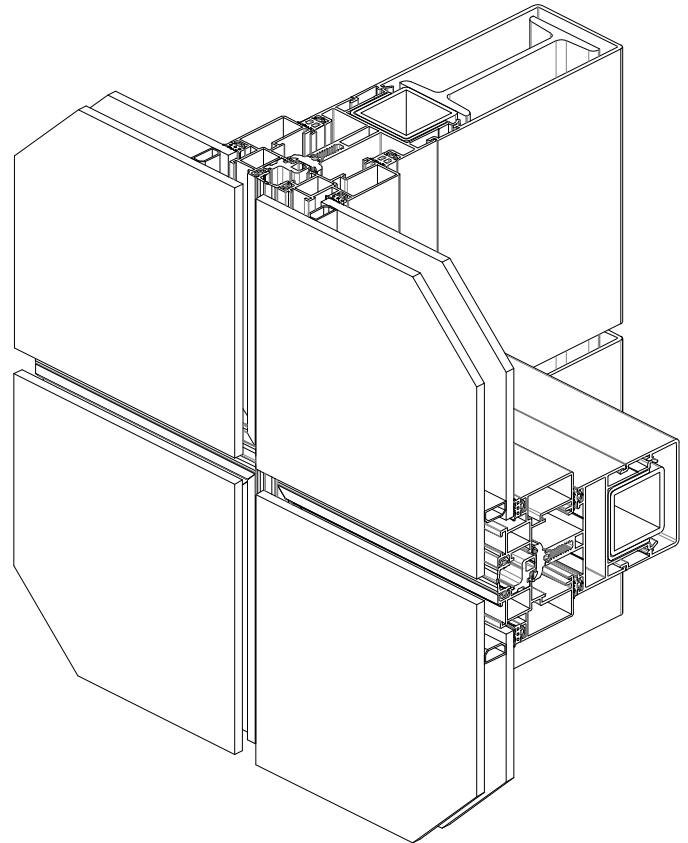
DIŞ  
(OUTSIDE)

İÇ  
(INSIDE)

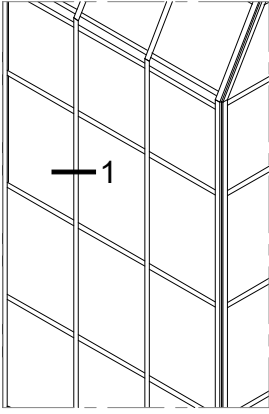


D-6

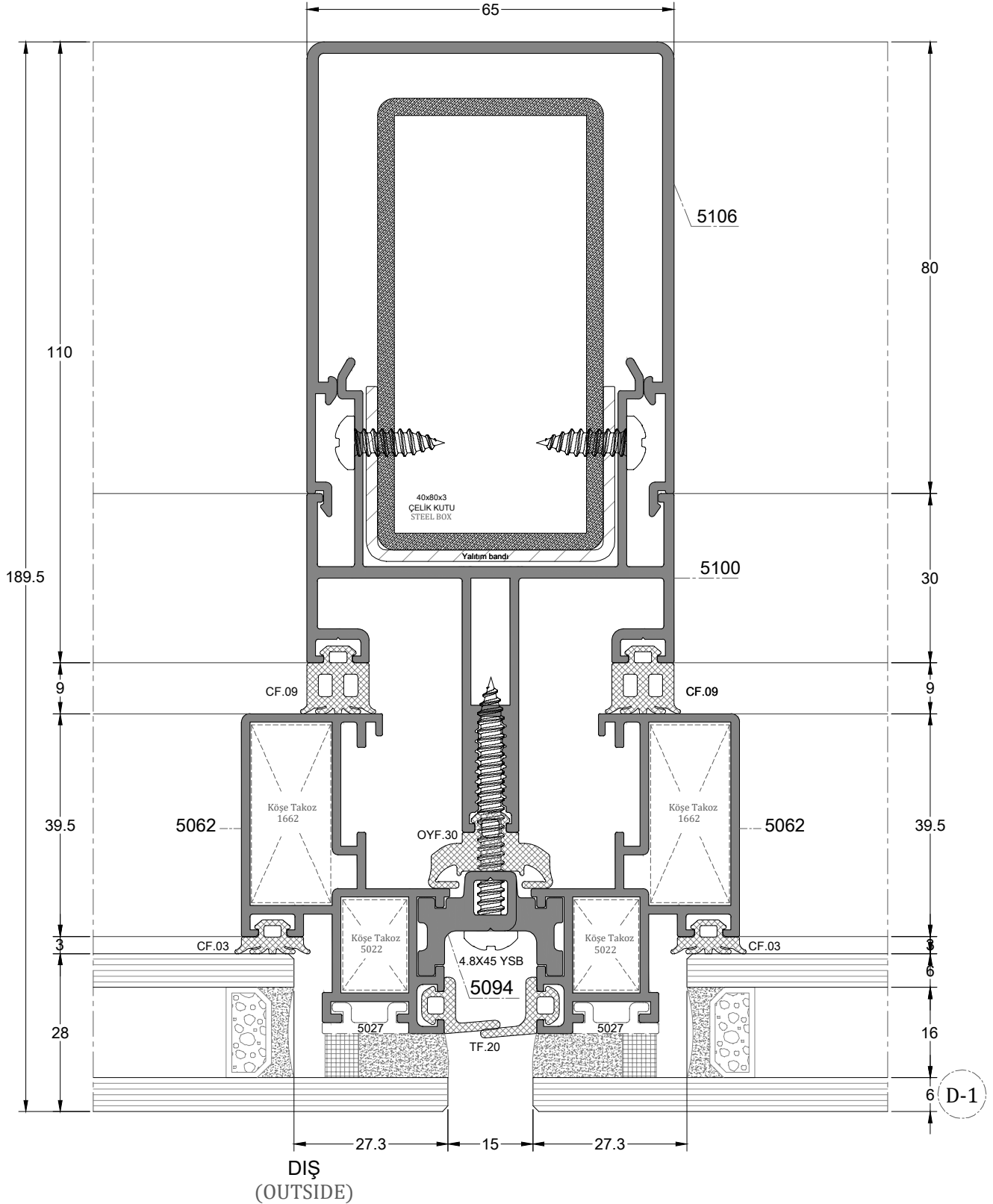
# FS65 KASETLİ SİLİKON CEPHE FACADE WITH STRUCTURAL CASSETTE

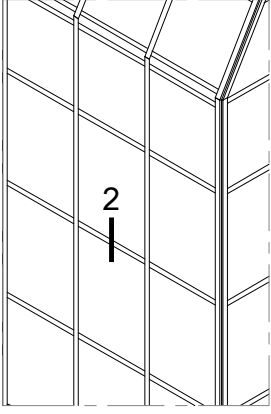


KASETLİ SİLİKON CEPHE DÜŞEY DETAYI  
STRUCTURAL CASSETTE VERTICAL DETAIL

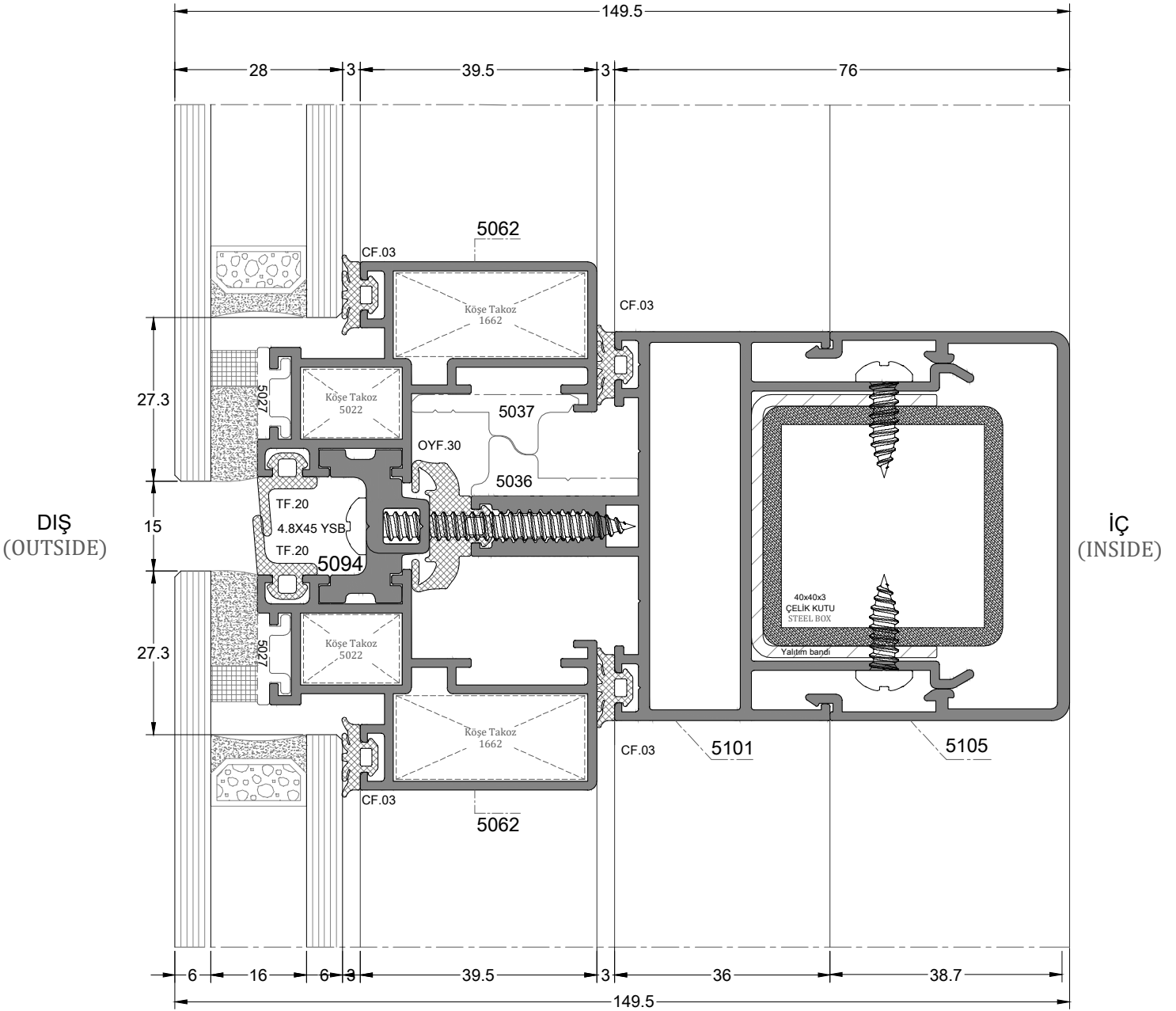


İÇ  
(INSIDE)



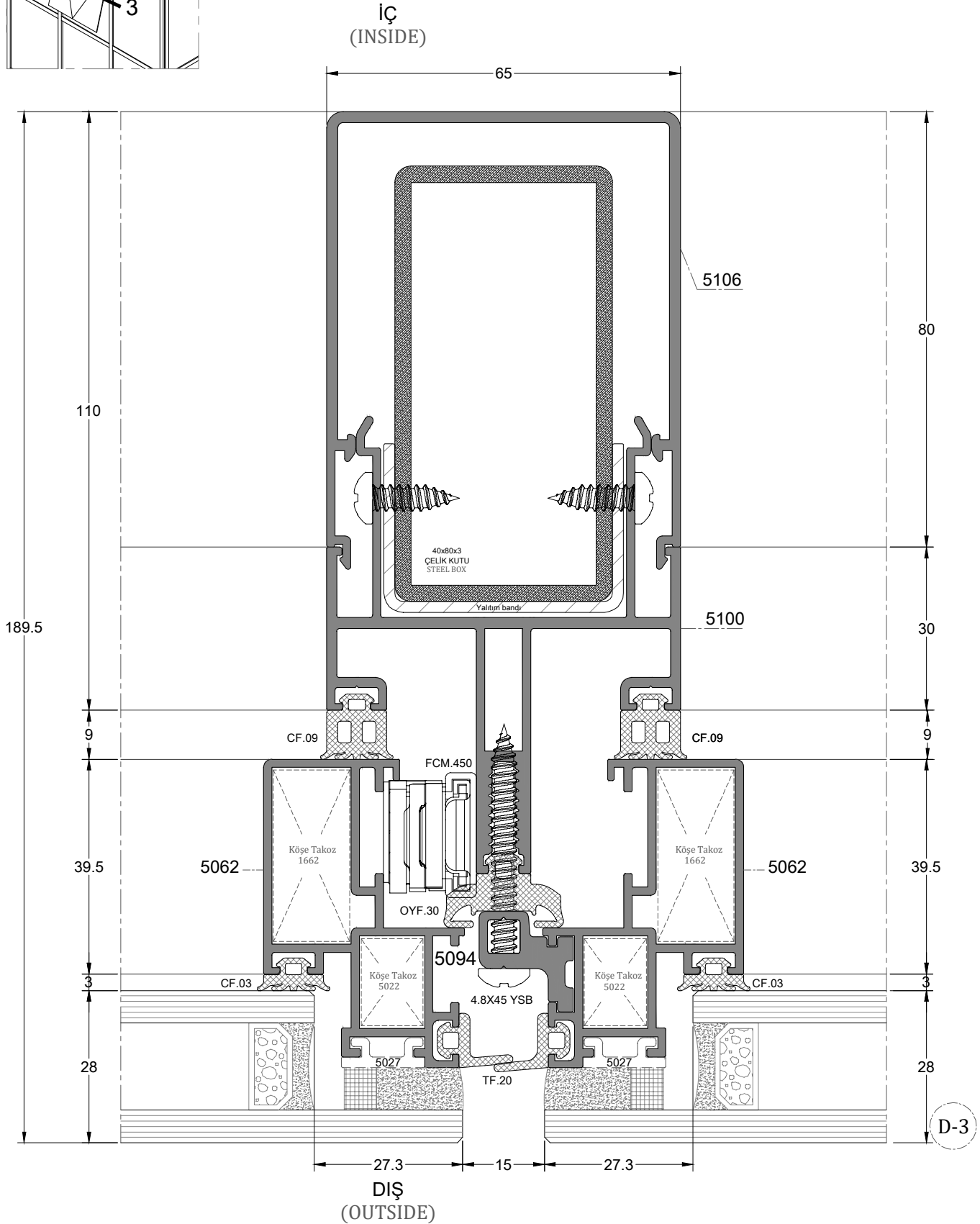
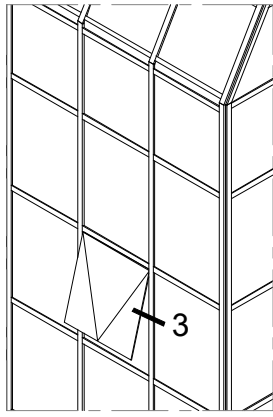


KASETLİ SİLİKON CEPHE YATAY DETAYI  
STRUCTURAL CASSETTE VERTICAL DETAIL



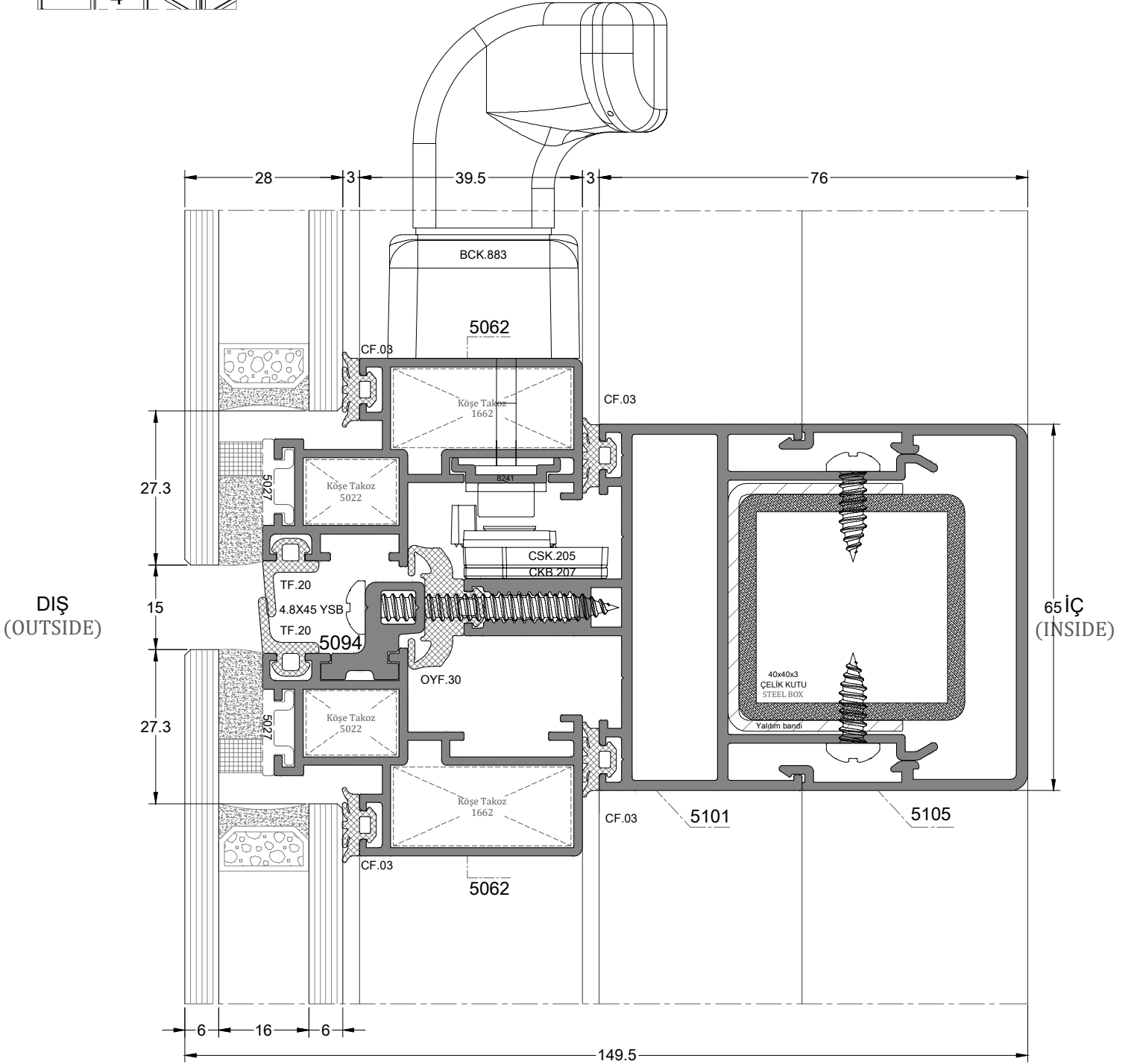
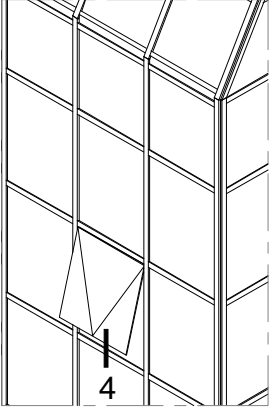
D-2

KASETLİ SİLİKON CEPHE AÇILIR KANAT DÜŞEY DETAYI  
STRUCTURAL CASSETTE OUTWARD OPENING SASH VERTICAL DETAIL

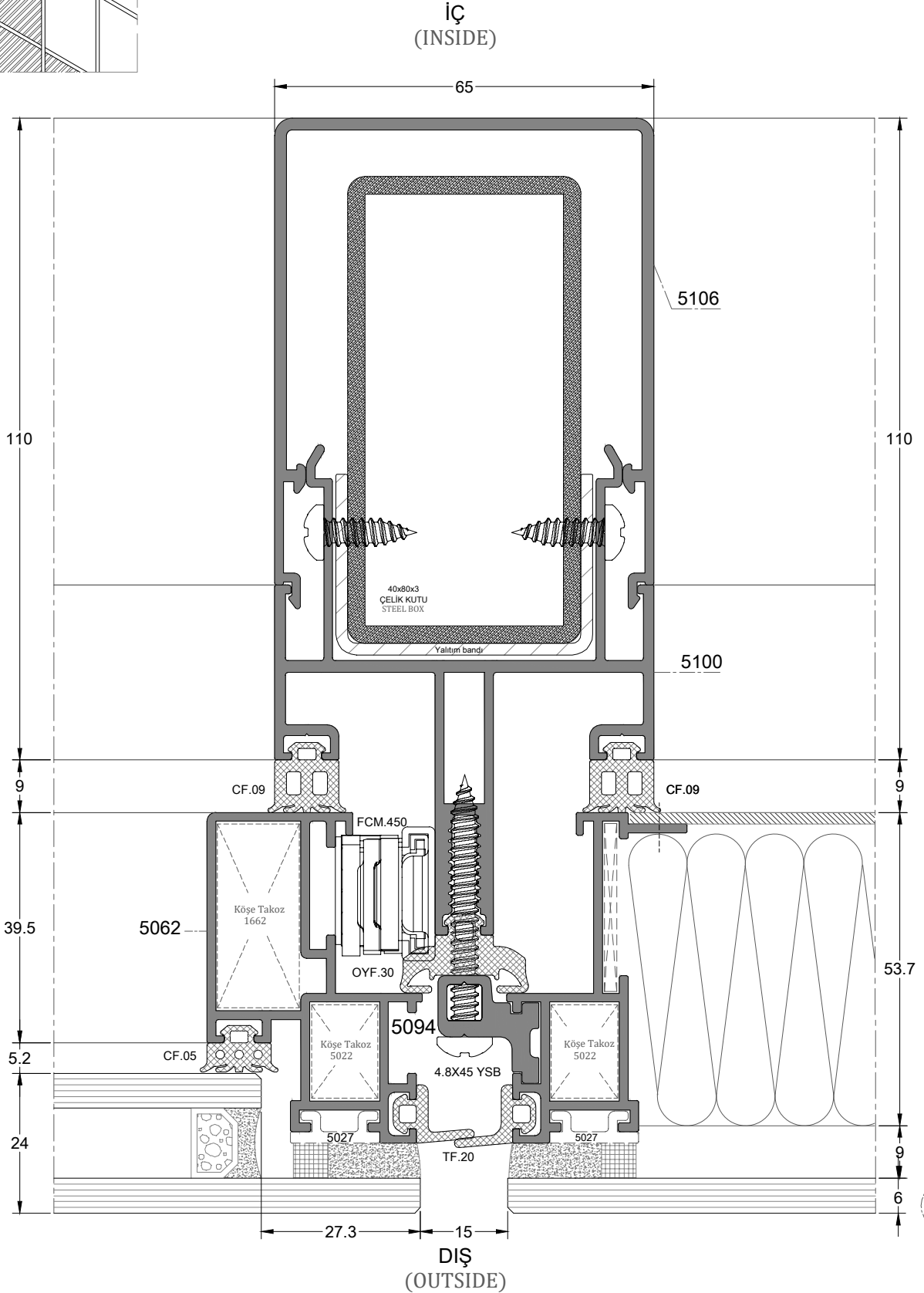
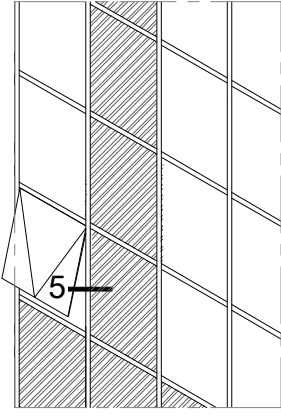




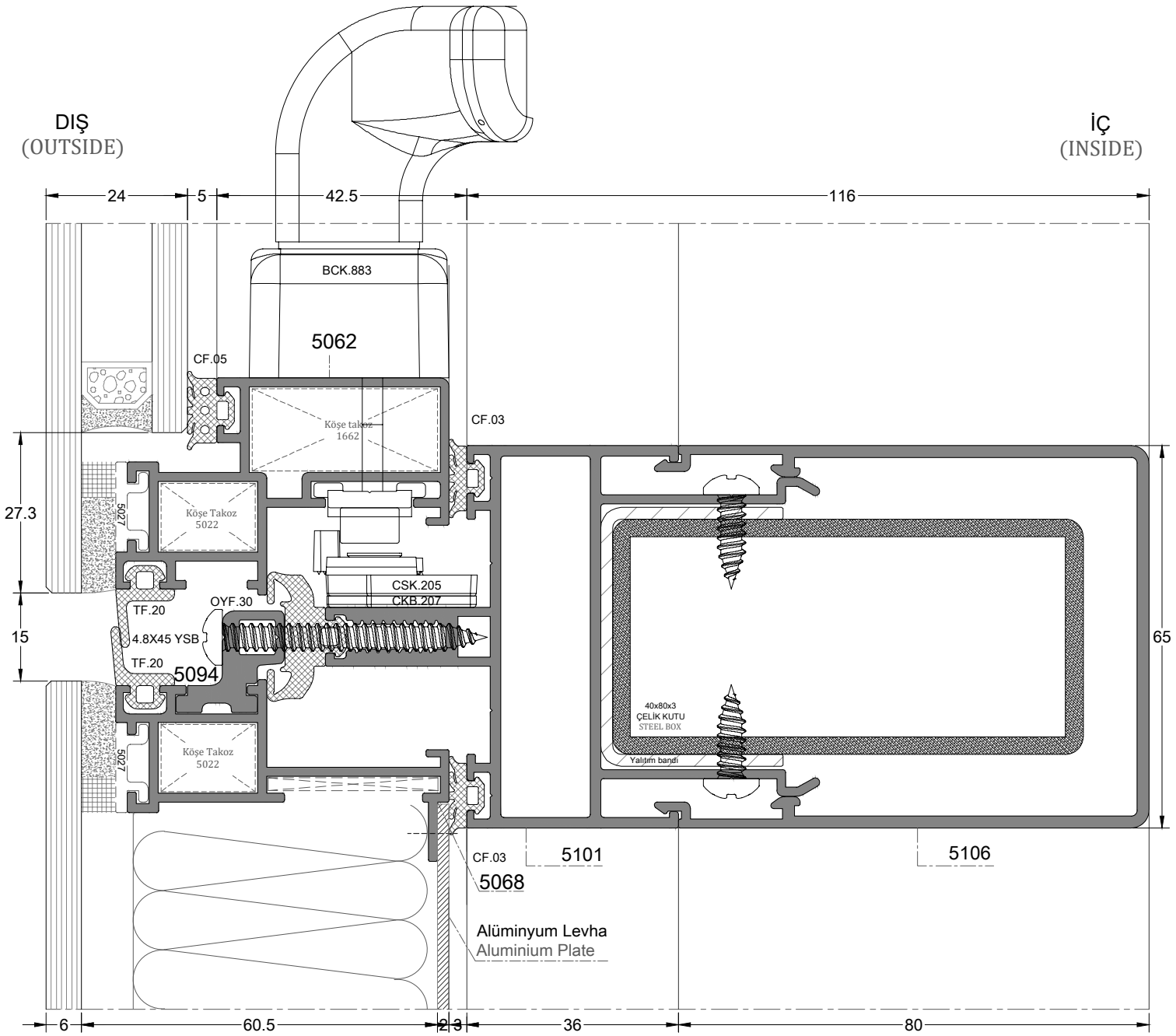
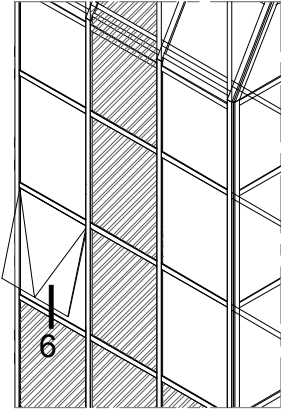
KASETLİ SİLİKON CEPHE AÇILIR KANAT YATAY DETAYI  
STRUCTURAL CASSETTE OUTWARD OPENING SASH HORIZONTAL DETAIL



KASETLİ SİLİKON CEPHE AÇILIR KANAT DÜŞEY DETAYI  
STRUCTURAL CASSETTE OUTWARD OPENING SASH VERTICAL DETAIL

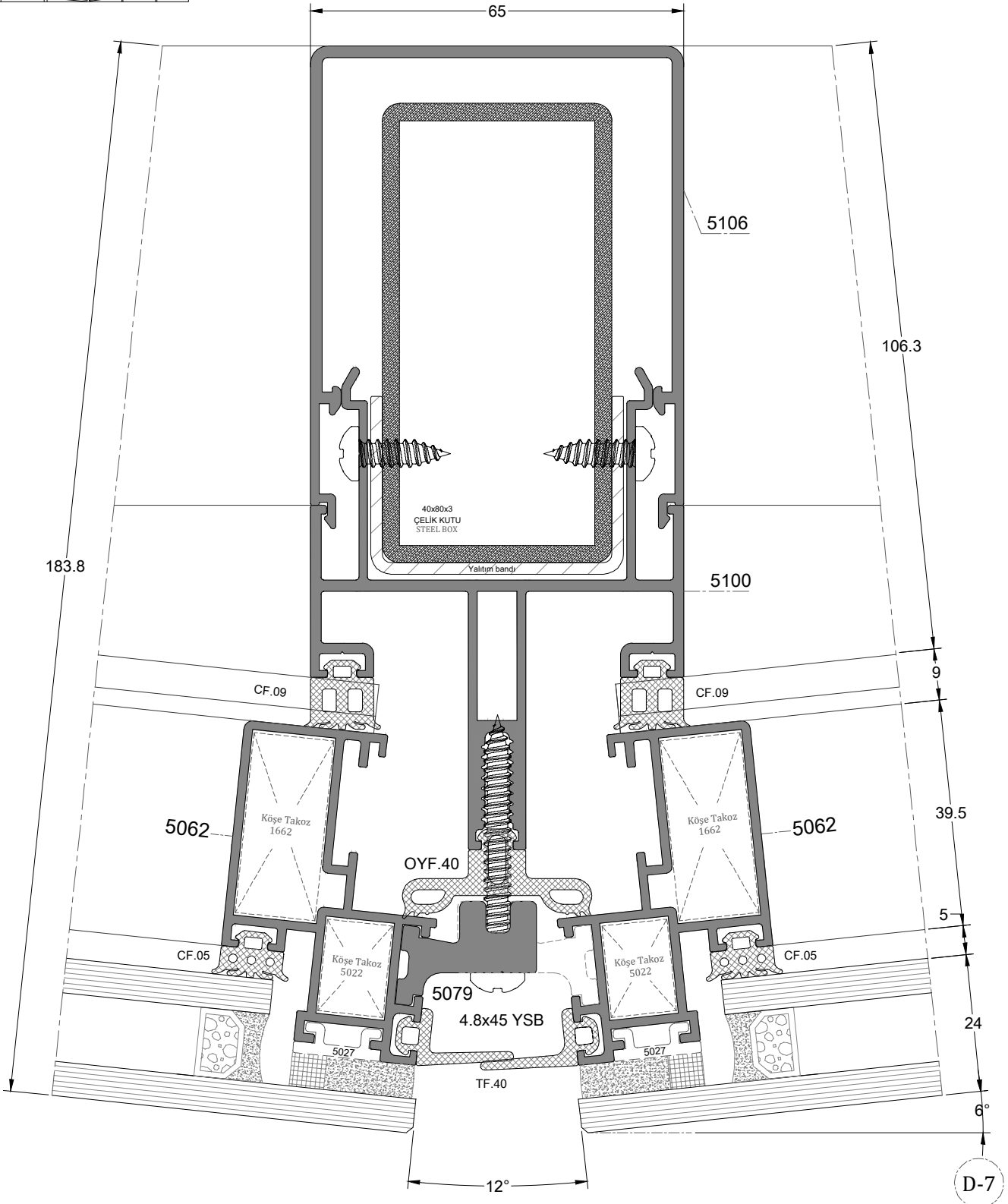
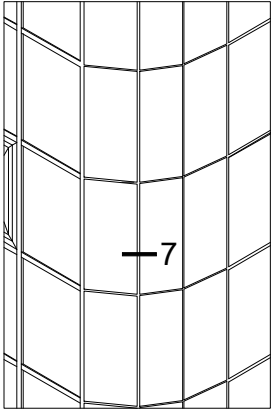


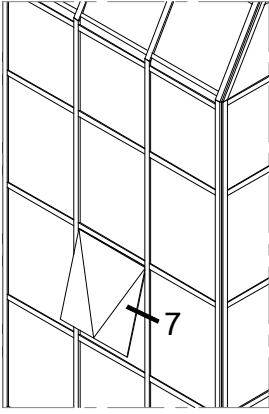
KASETLİ SİLİKON CEPHE AÇILIR KANAT YATAY DETAYI  
STRUCTURAL CASSETTE OUTWARD OPENING SASH HORIZONTAL DETAIL



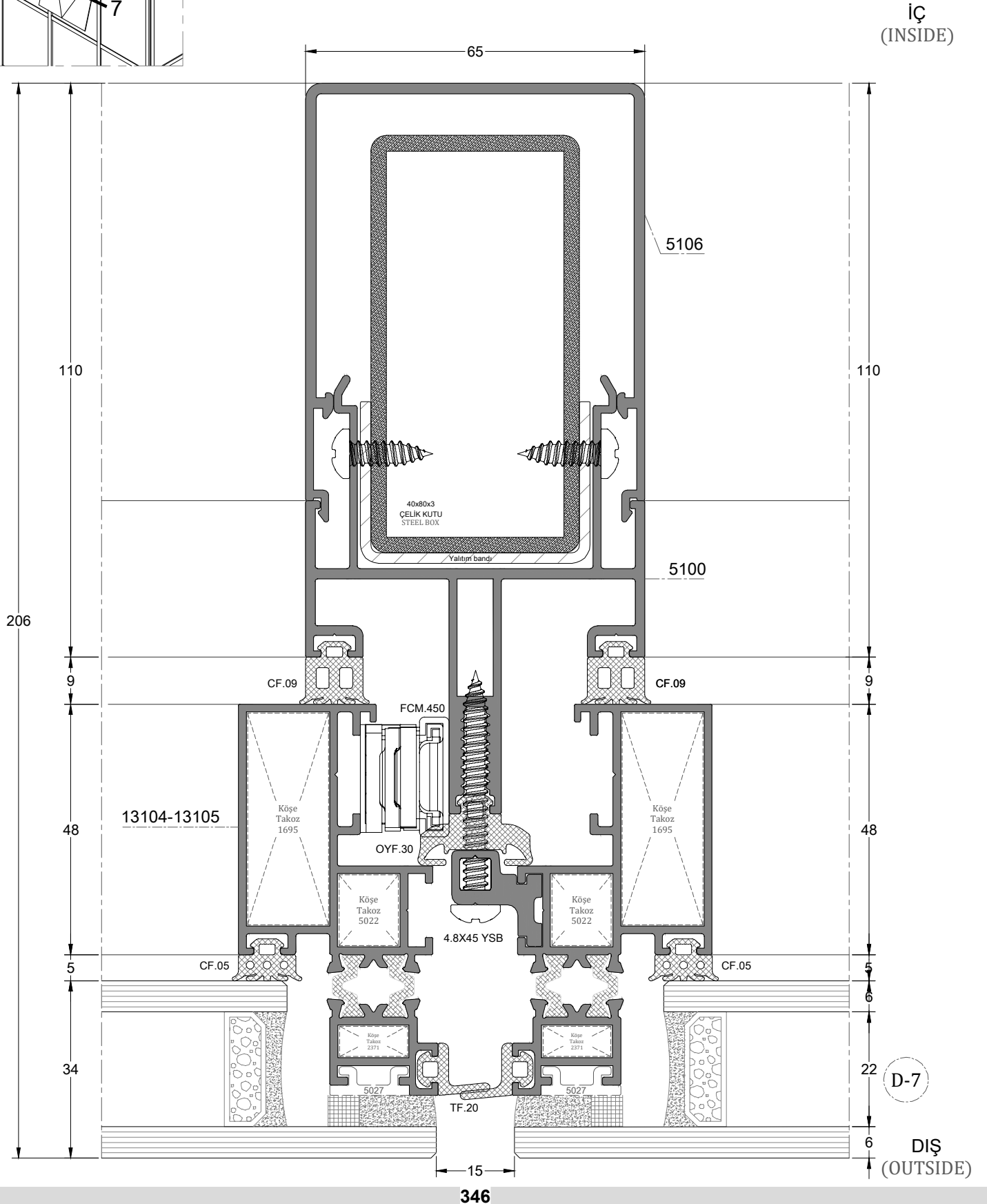
D-6

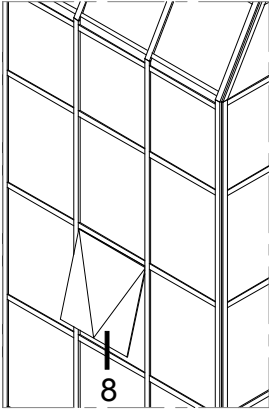
KASETLİ SİLİKON CEPHE OVAL DÖNÜŞ DÜŞEY DETAYI  
STRUCTURAL CASSETTE OVAL CORNER VERTICAL DETAIL



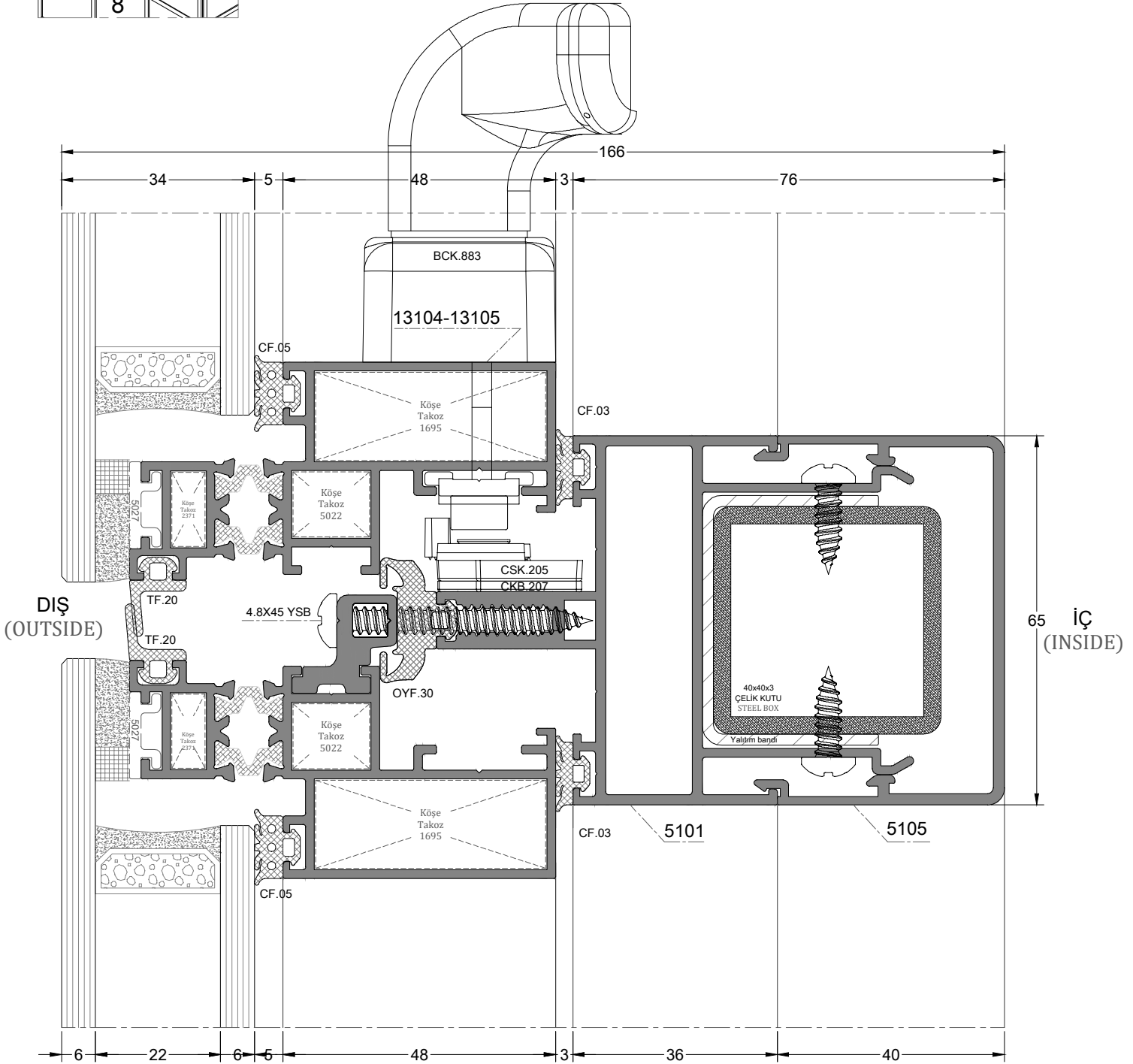


KASETLİ SİLİKON CEPHE AÇILIR KANAT DÜŞEY DETAYI  
(YALITIMLI KASET PROFİLİ)  
STRUCTURAL CASSETTE OUTWARD OPENING SASH VERTICAL DETAIL  
(THERMAL BREAK CASSETTE PROFILE)

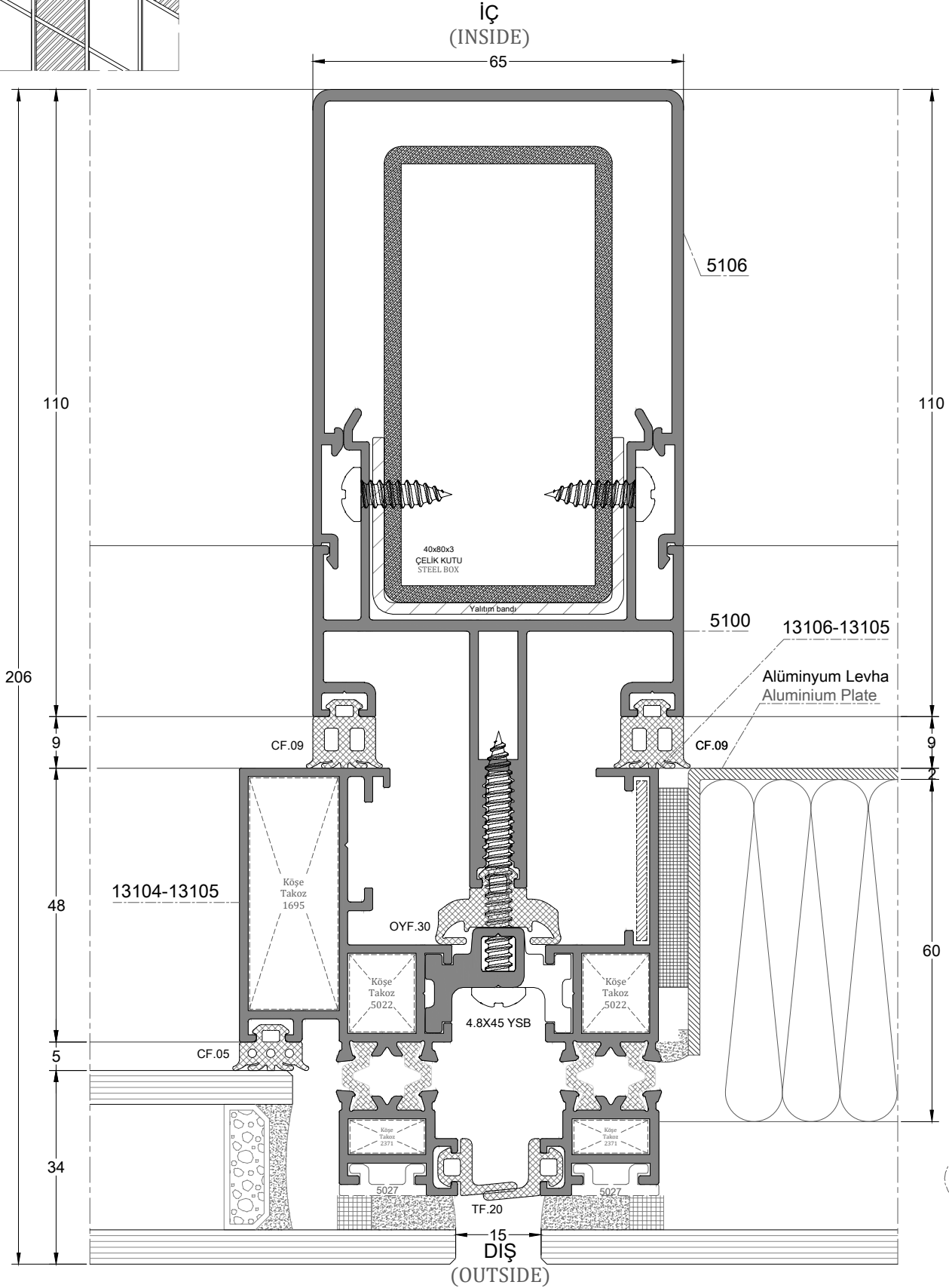
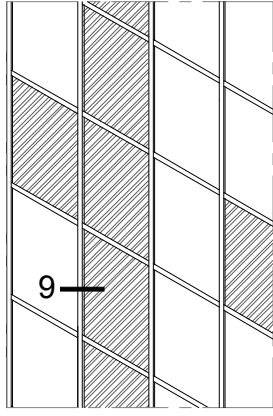


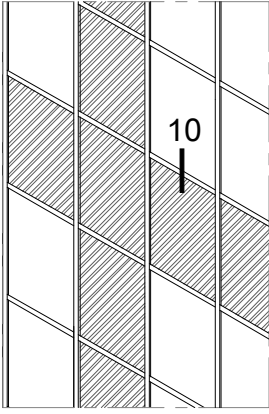


KASETLİ SİLİKON CEPHE AÇILIR KANAT YATAY DETAYI  
(YALITIMLI KASET PROFİLİ)  
STRUCTURAL CASSETTE OUTWARD OPENING SASH HORIZONTAL DETAIL  
(THERMAL BREAK CASSETTE PROFILE)

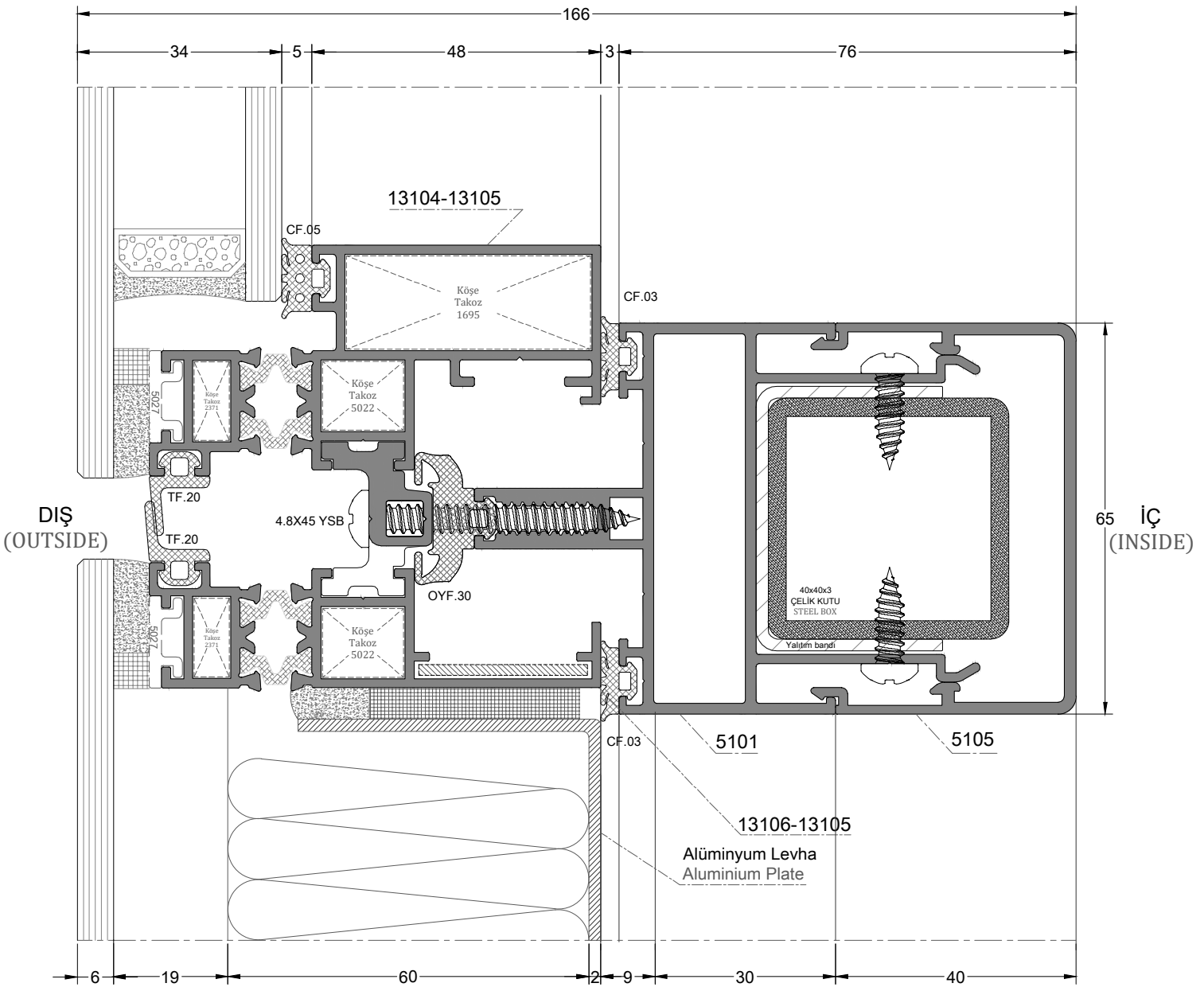


KASETLİ SİLİKON CEPHE SPANDREL BÖLGE DÜŞEY DETAYI  
(YALITIMLI KASET PROFİLİ)  
STRUCTURAL CASSETTE SPANDREL SECTION VERTICAL DETAIL  
(THERMAL BREAK CASSETTE PROFILE)



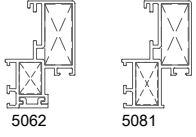


KASETLİ SİLİKON CEPHE SPANDREL BÖLGE YATAY DETAYI  
(YALITIMLI KASET PROFİLİ)  
STRUCTURAL CASSETTE SPANDREL SECTION HORIZONTAL DETAIL  
(THERMAL BREAK CASSETTE PROFILE)



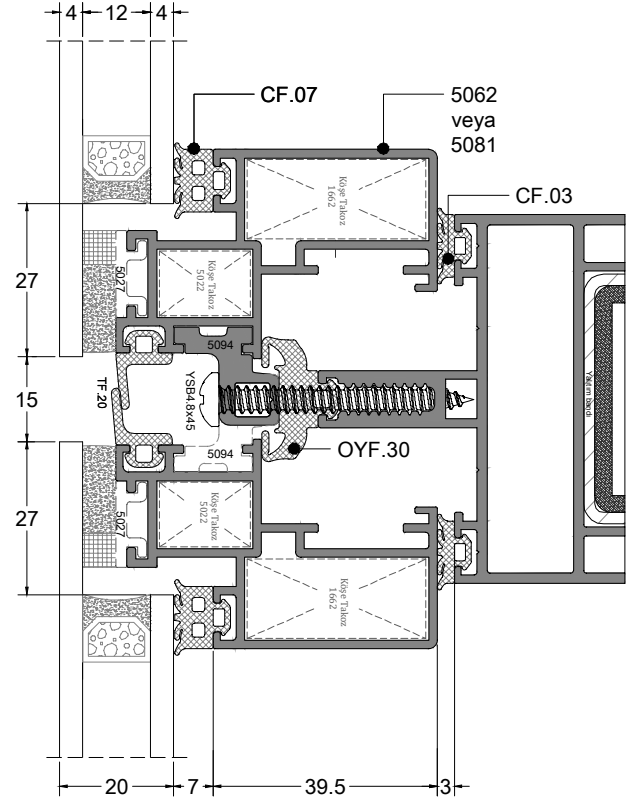
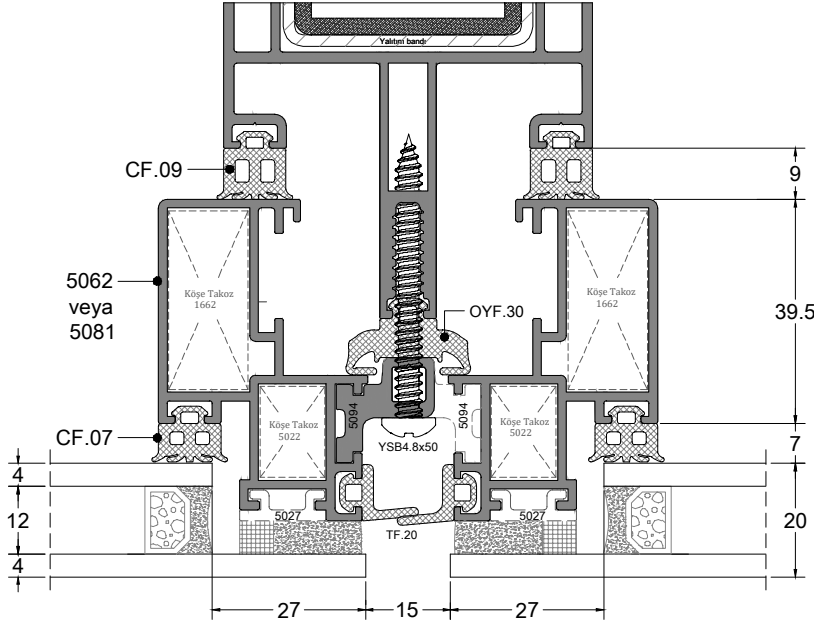


**KULLANILAN KASET PROFİLLERİ**  
 CASSETTE PROFILES USED



# 20 MM

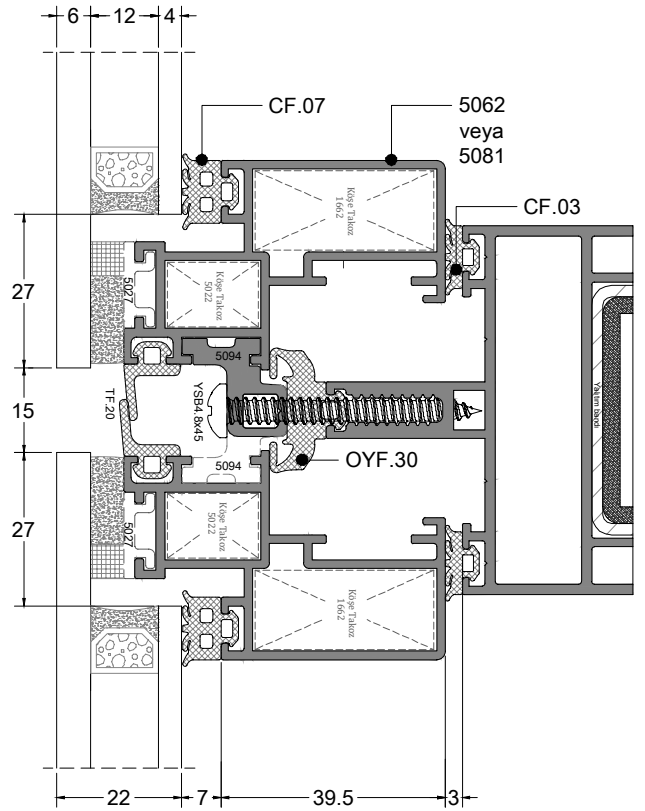
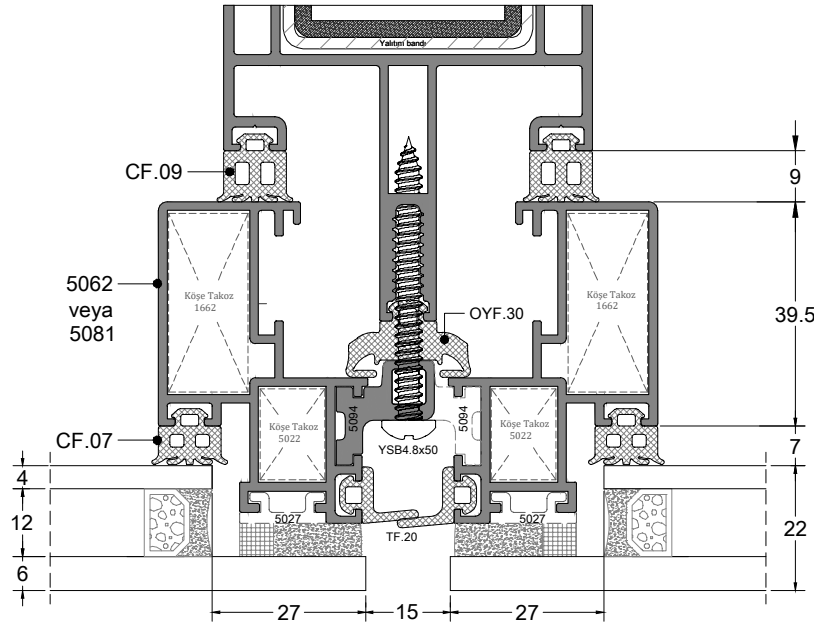
**DÜŞEY DETAYI**  
 VERTICAL DETAIL



YATAY DETAYI  
 HORIZONTAL DETAIL

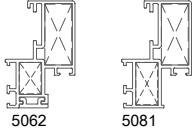
# 22 MM

**DÜŞEY DETAYI**  
 VERTICAL DETAIL

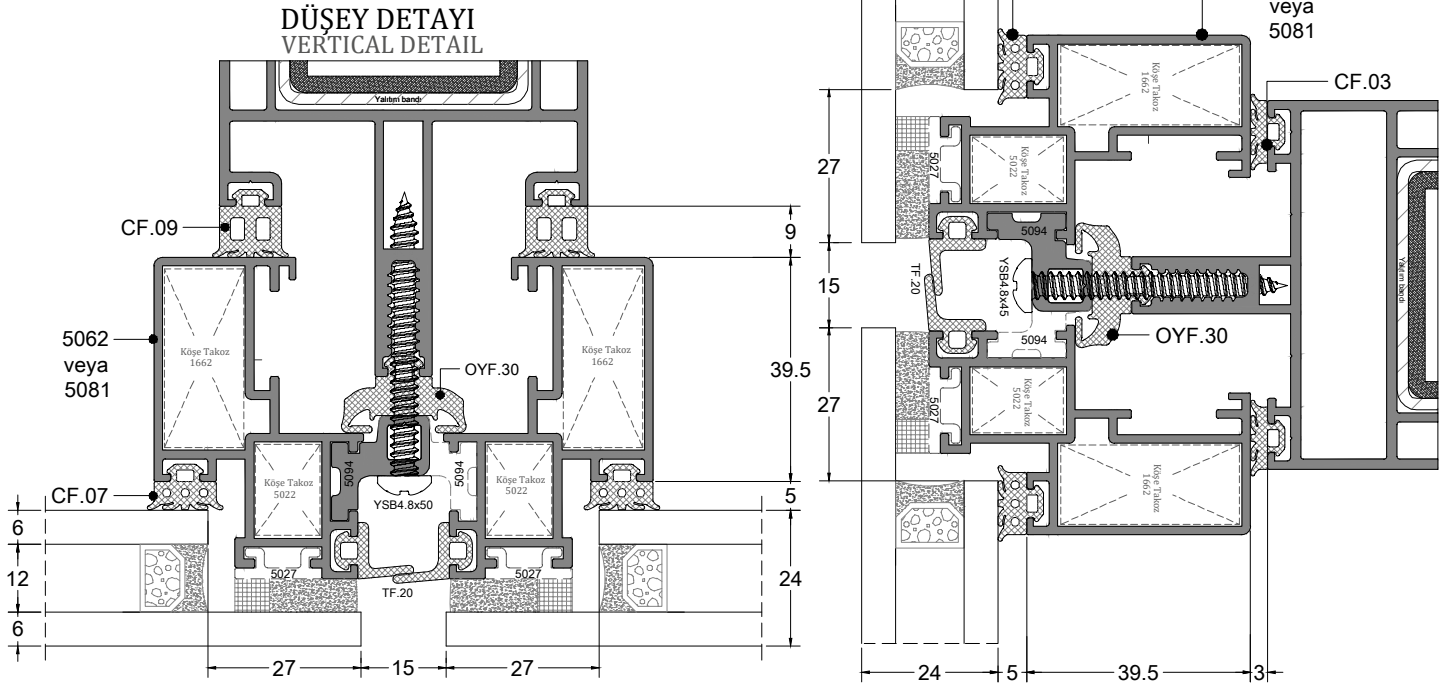


YATAY DETAYI  
 HORIZONTAL DETAIL

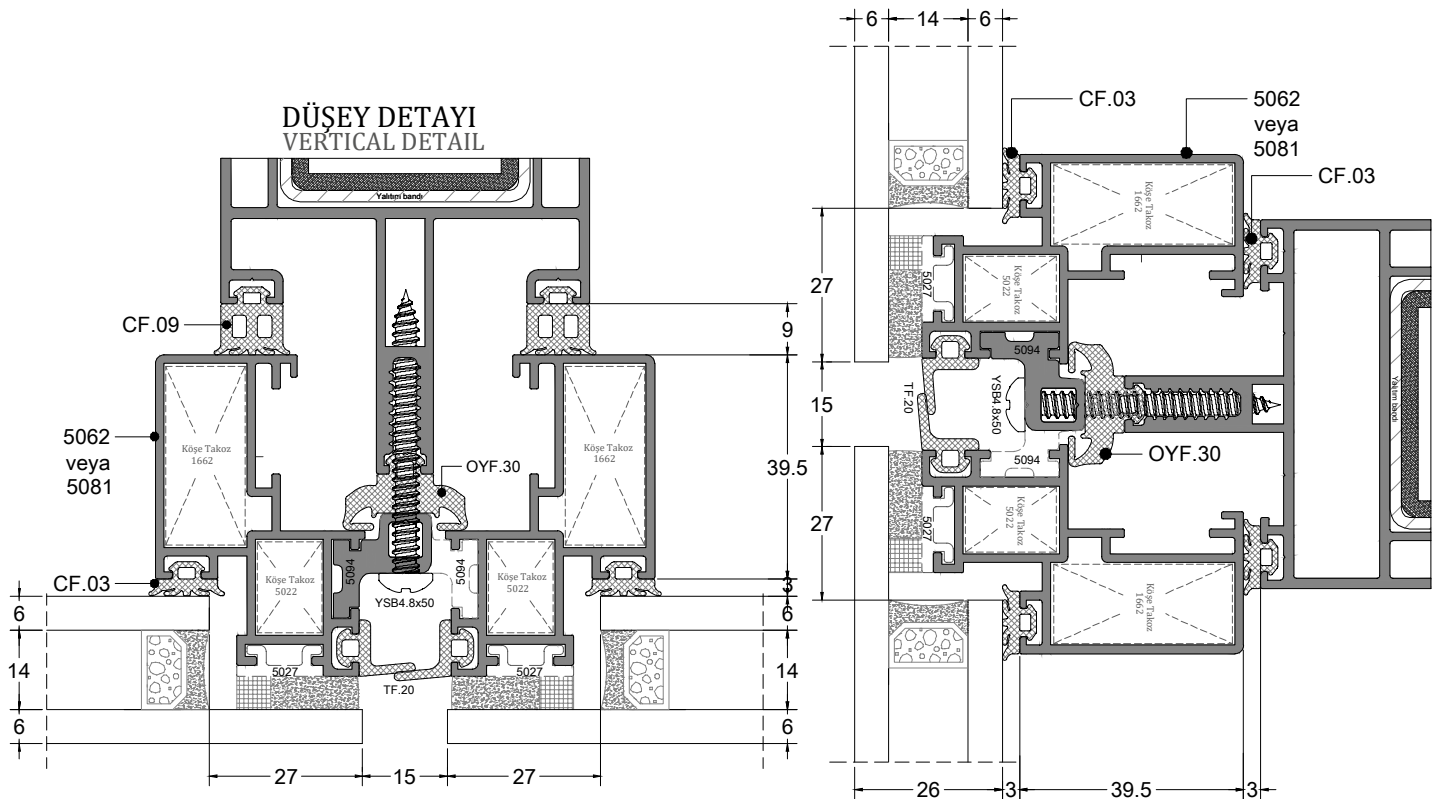
**KULLANILAN KASET PROFİLLERİ**  
 CASSETTE PROFILES USED



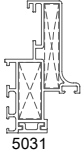
# 24 MM



# 26 MM

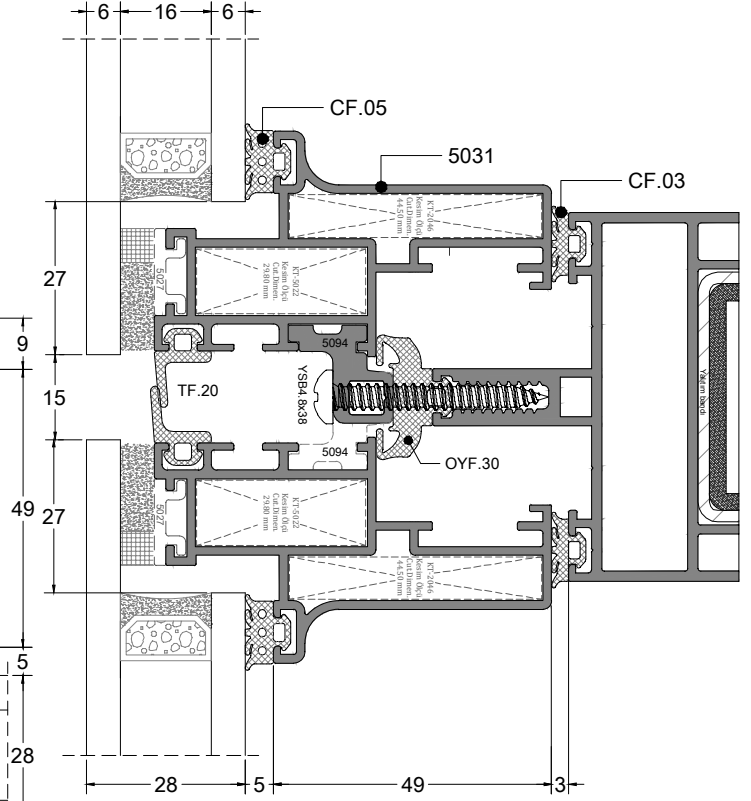
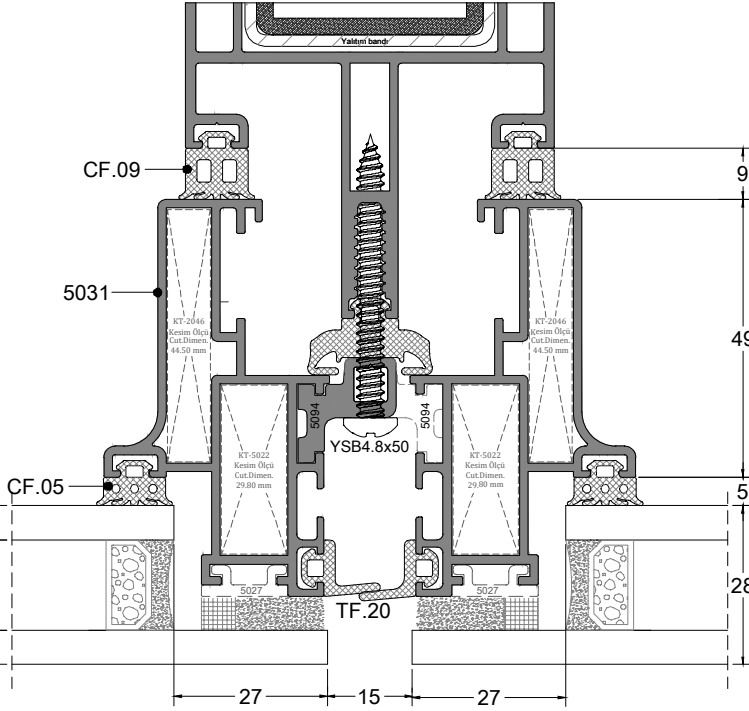


**KULLANILAN KASET PROFİLLERİ**  
 CASSETTE PROFILES USED



# 28 MM

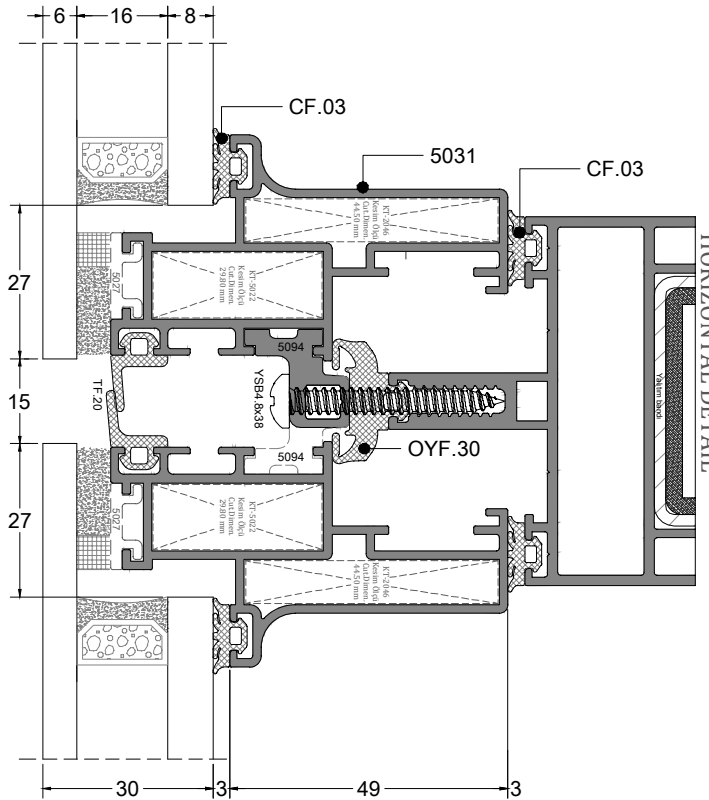
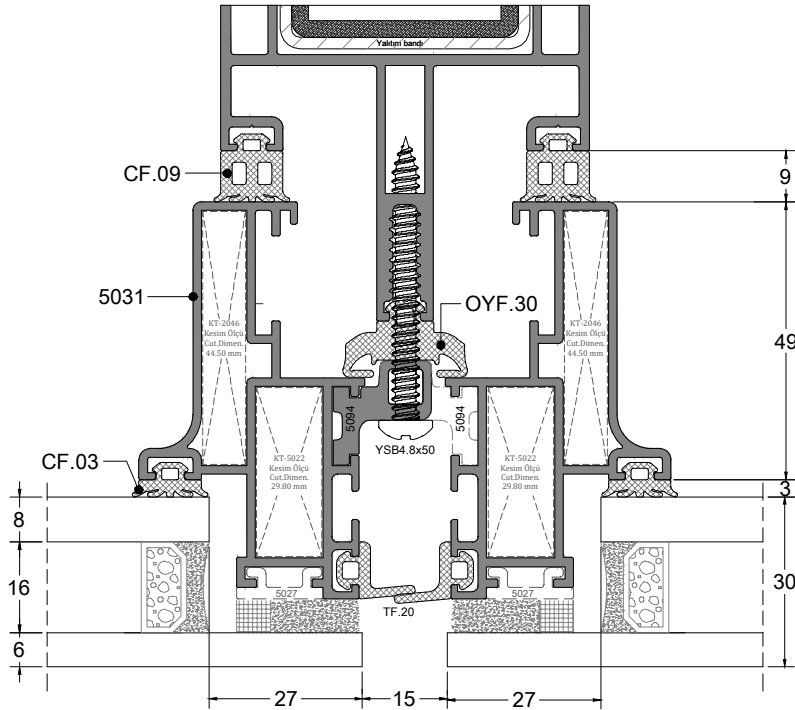
**DÜŞEY DETAYI**  
**VERTICAL DETAIL**



**YATAY DETAYI**  
**HORIZONTAL DETAIL**

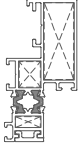
# 30 MM

**DÜŞEY DETAYI**  
**VERTICAL DETAIL**



**YATAY DETAYI**  
**HORIZONTAL DETAIL**

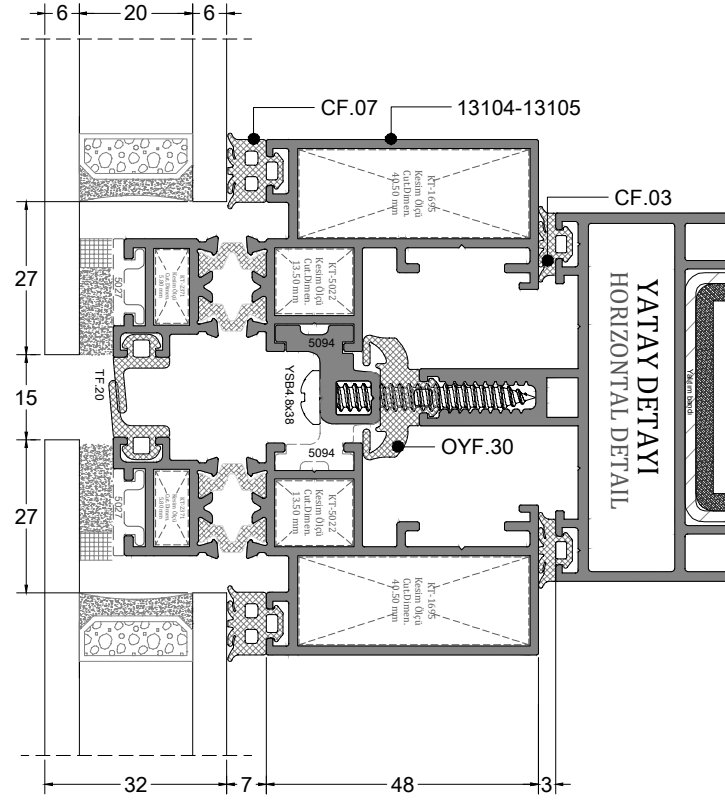
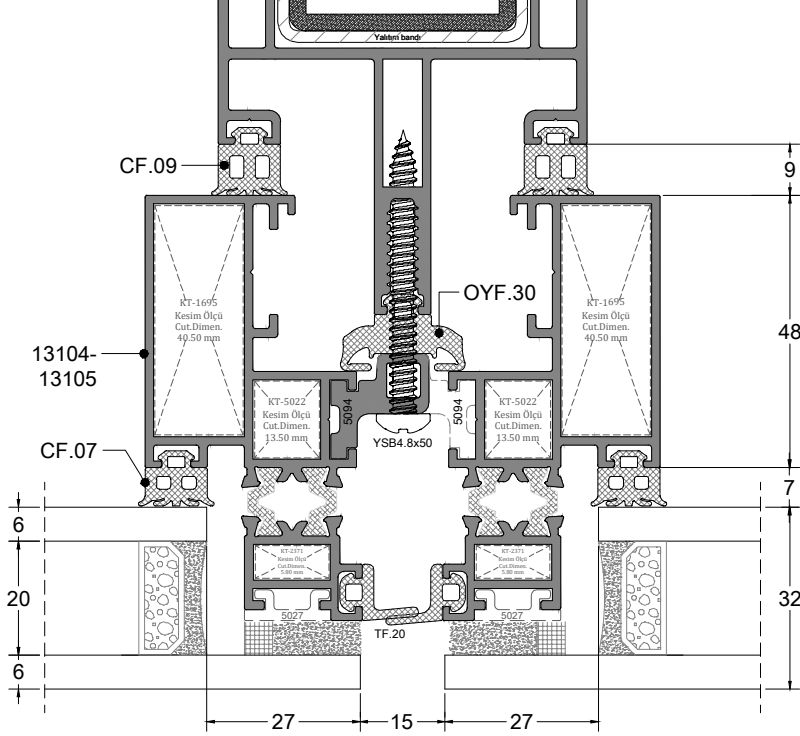
**KULLANILAN KASET PROFİLLERİ**  
 CASSETTE PROFILES USED



13104-13105

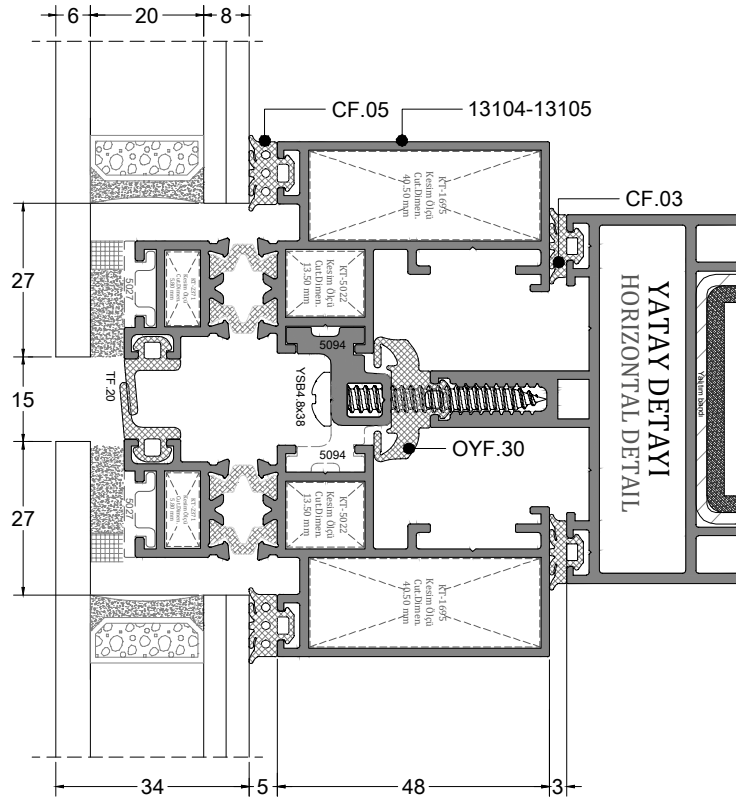
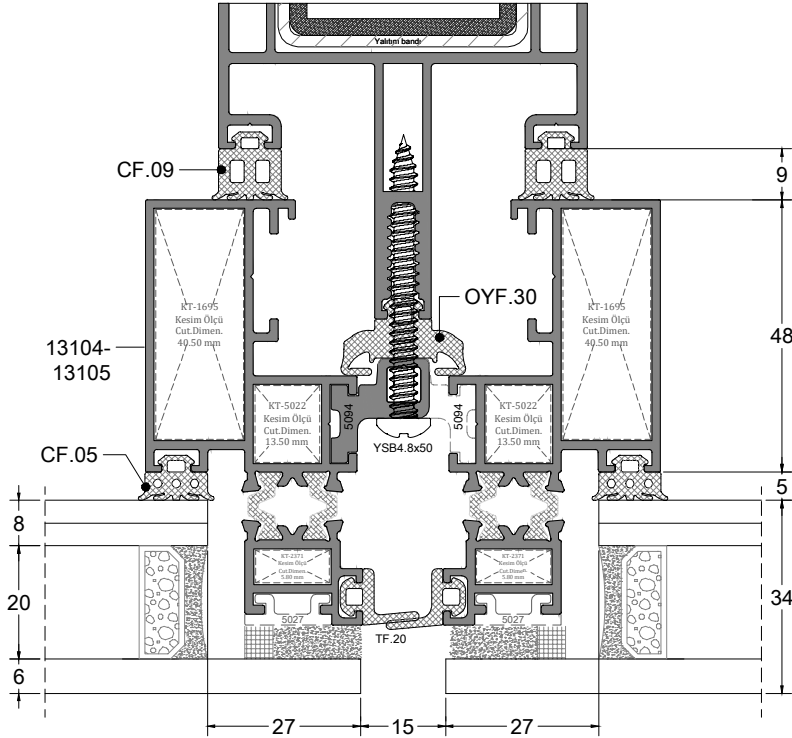
# 32 MM

**DÜŞEY DETAYI**  
**VERTICAL DETAIL**



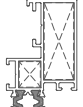
# 34 MM

**DÜŞEY DETAYI**  
**VERTICAL DETAIL**



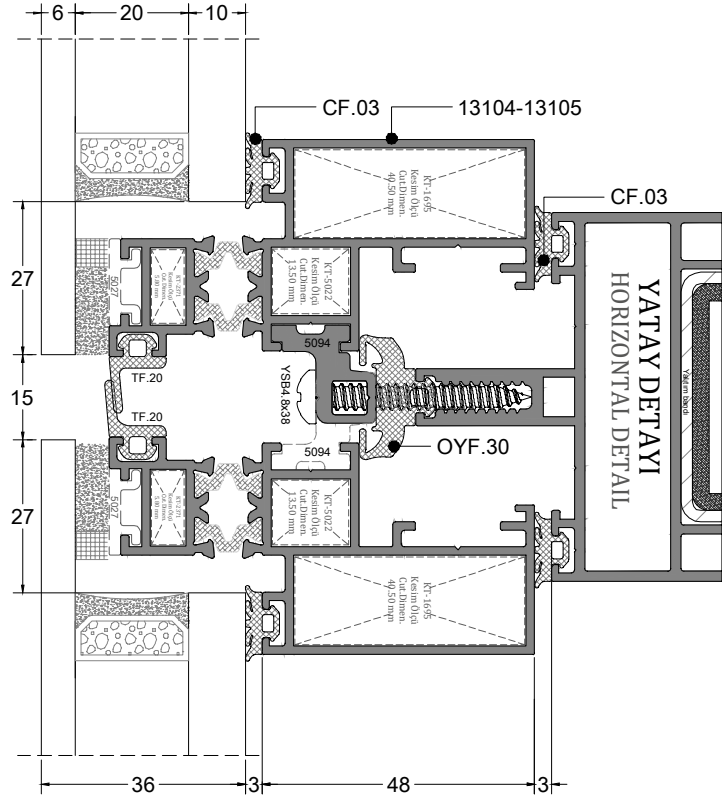
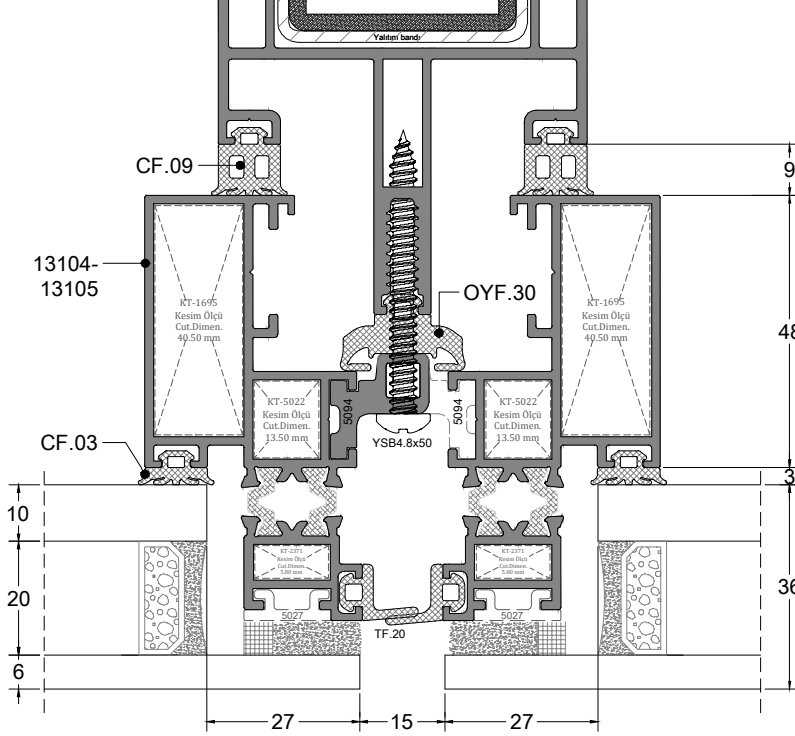
KULLANILAN KASET PROFİLLERİ  
CASSETTE PROFILES USED

# 36 MM



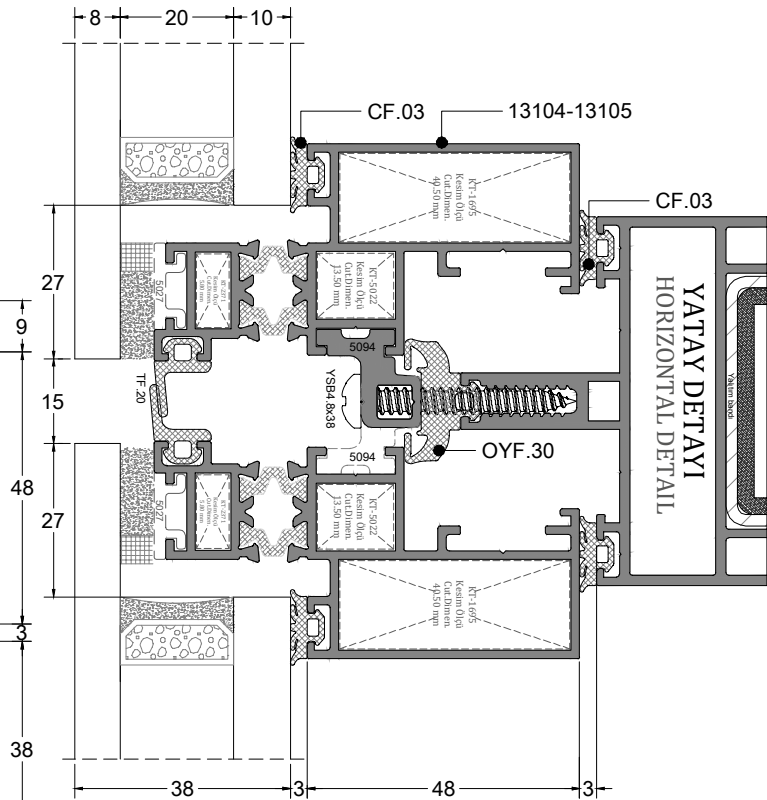
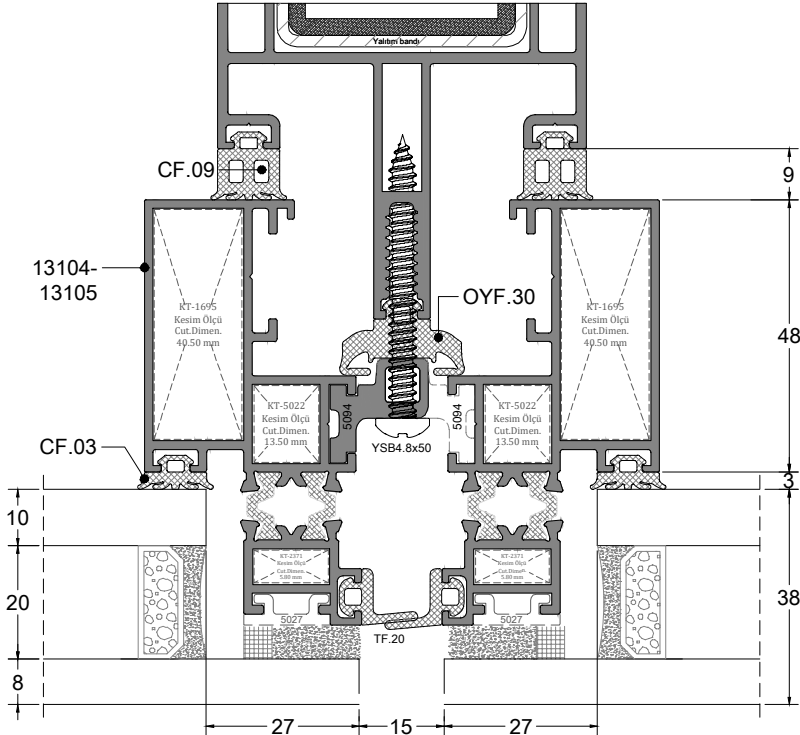
13104-13105

## DÜŞEY DETAYI VERTICAL DETAIL



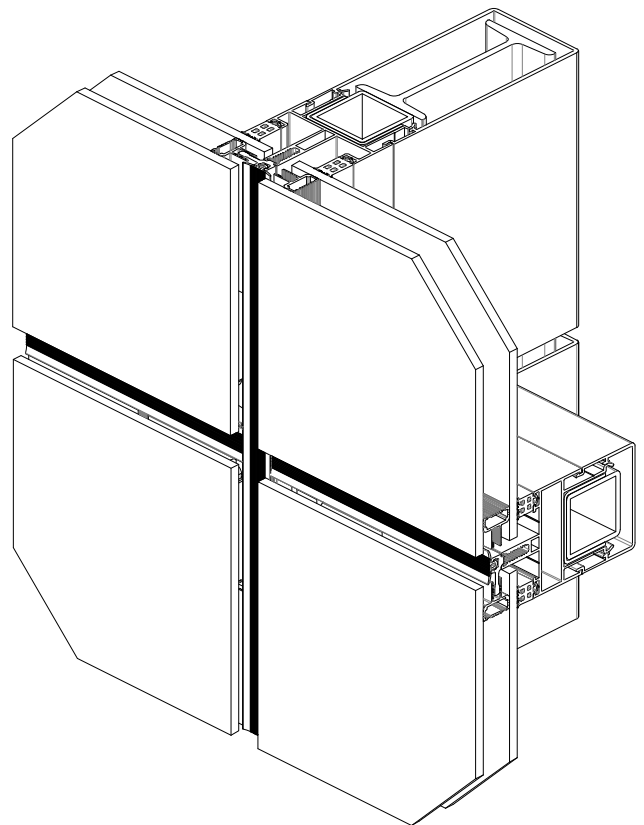
# 38 MM

## DÜŞEY DETAYI VERTICAL DETAIL

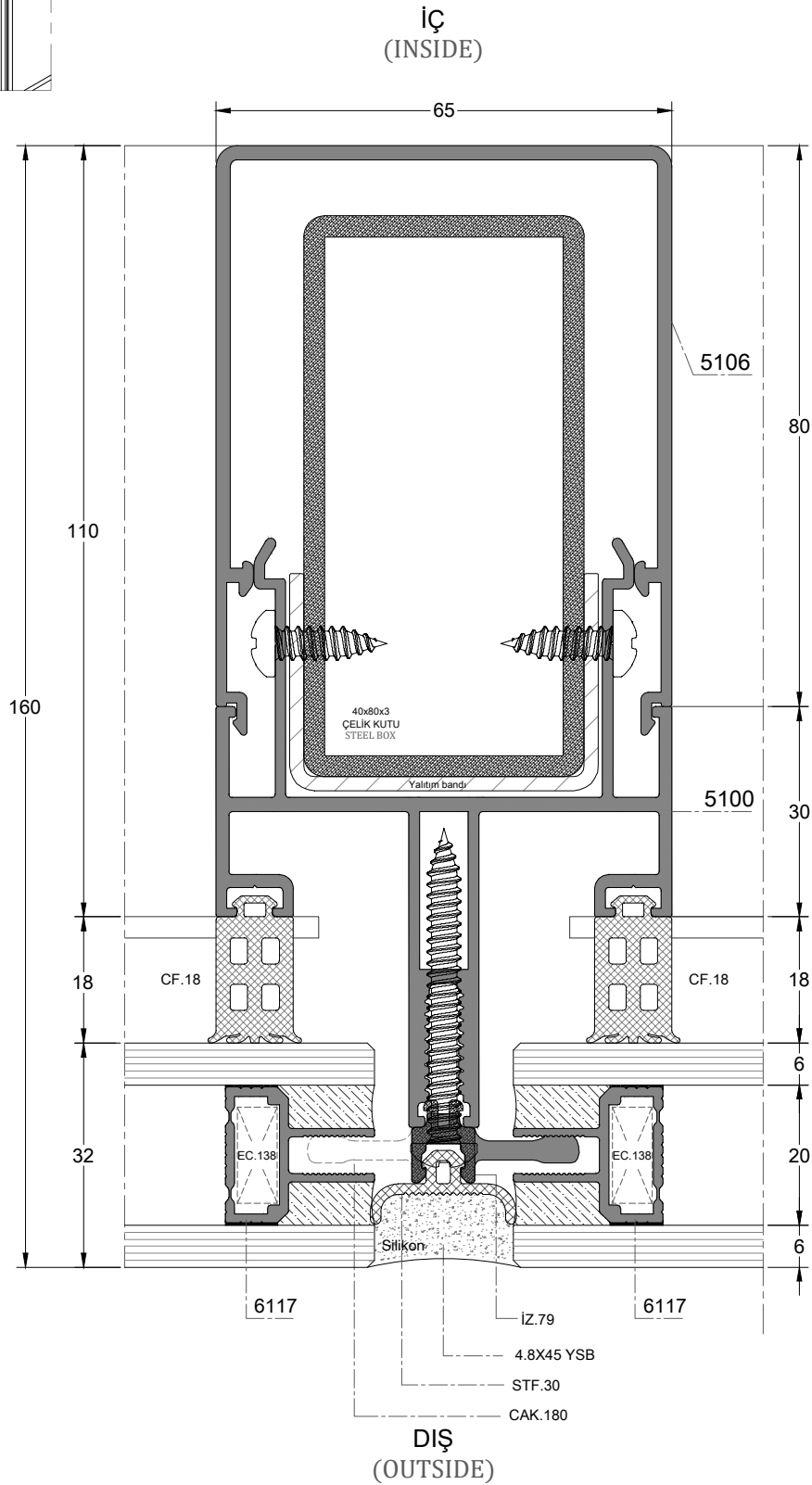
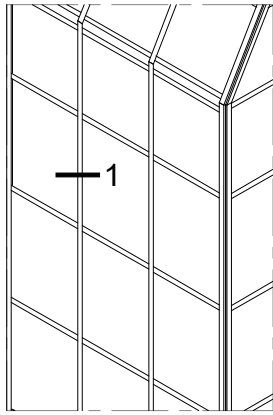


# FS65 ENTEGRE CEPHE

## INTEGRATED FACADE

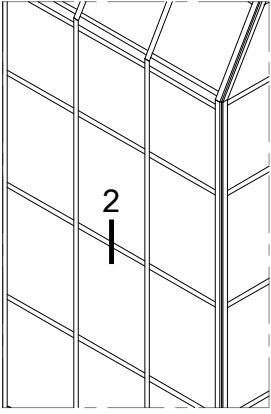


ENTEĞRE CEPHE DÜŞEY DETAYI  
INTEGRATED FACADE VERTICAL DETAIL



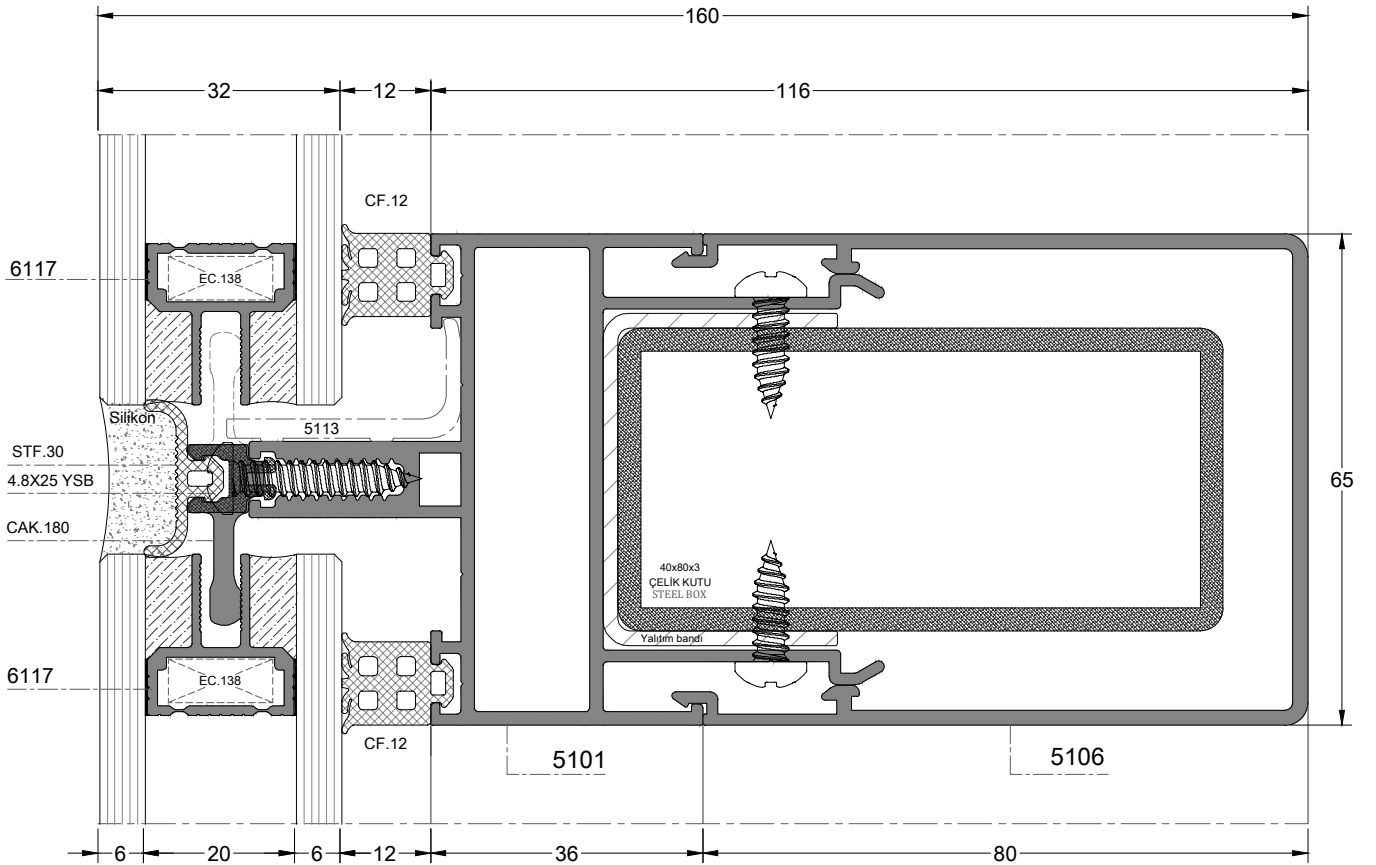
D-1

ENTEĞRE CEPHE YATAY DETAYI  
INTEGRATED FACADE HORIZONTAL DETAIL



DIŞ  
(OUTSIDE)

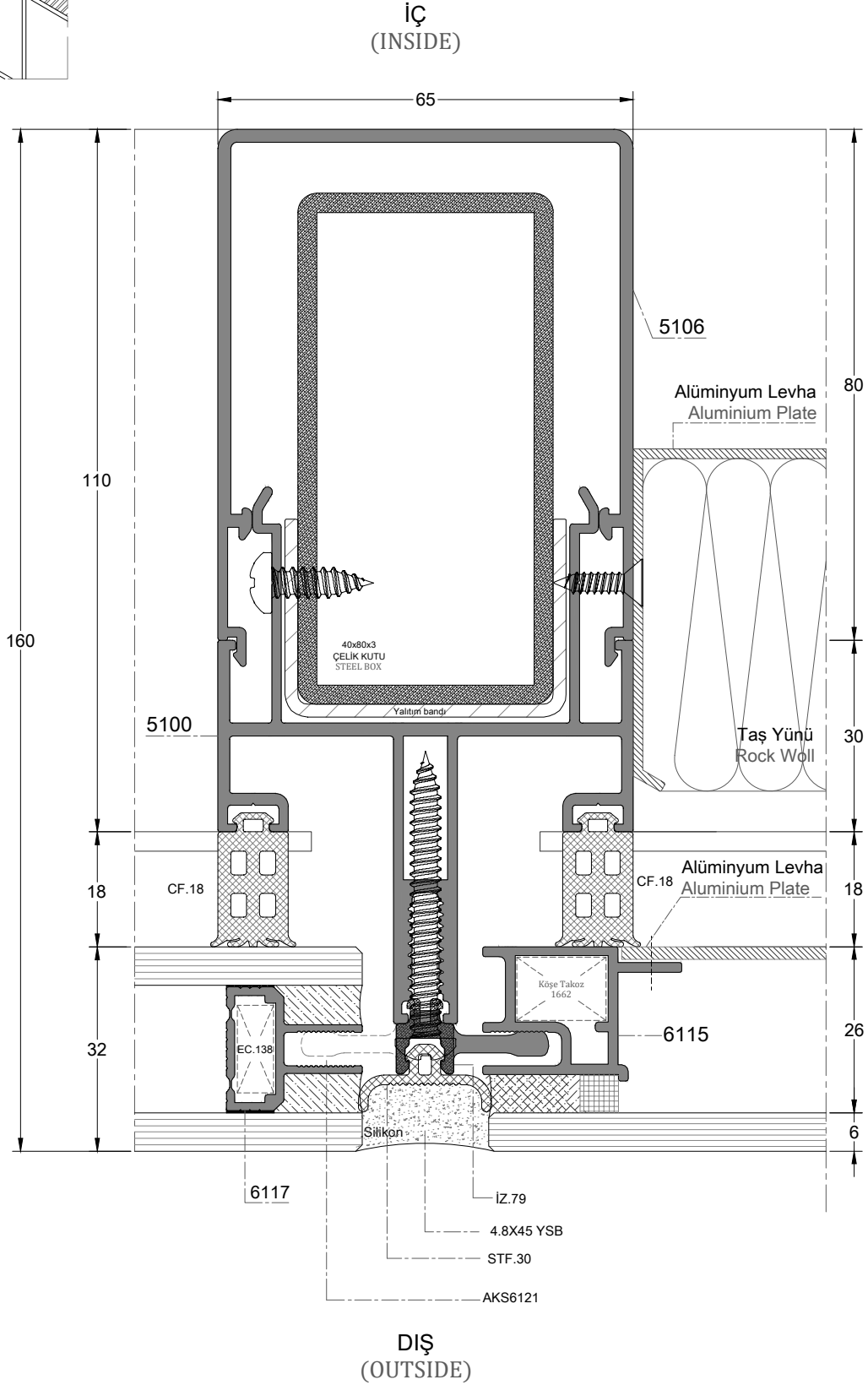
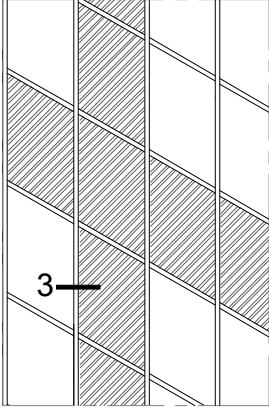
İÇ  
(INSIDE)



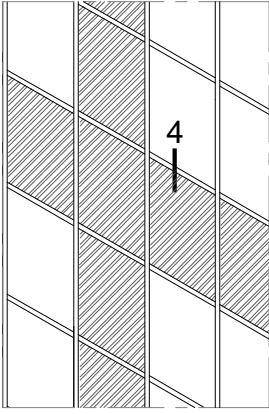
D-2



ENTEĞRE CEPHE SPANDREL BÖLGE DÜŞEY DETAY  
INTEGRATED FACADE SPANDREL SECTION VERTICAL DETAIL

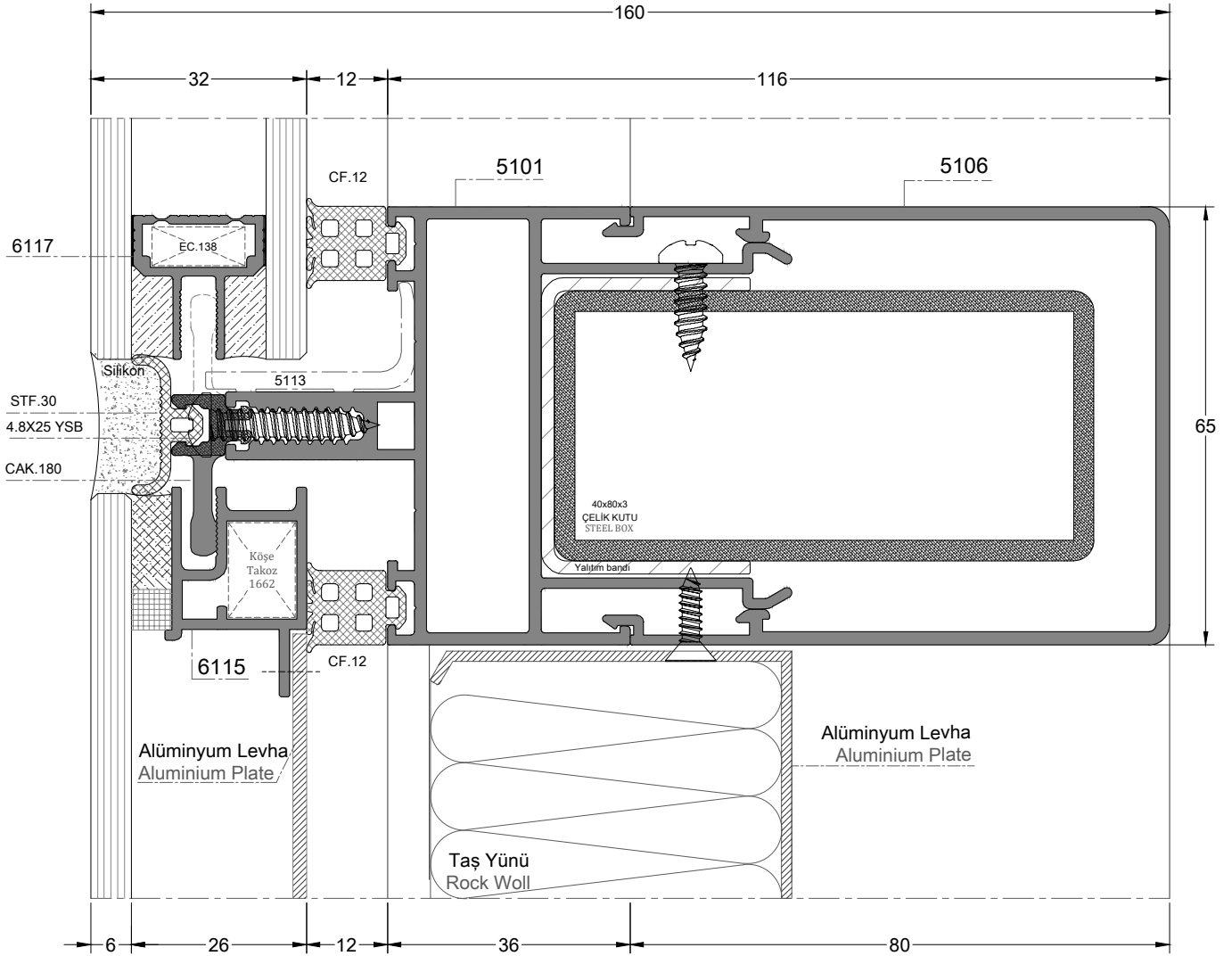


ENTEĞRE CEPHE SPANDREL BÖLGE YATAY DETAY  
INTEGRATED FACADE SPANDREL SECTION HORIZONTAL DETAIL



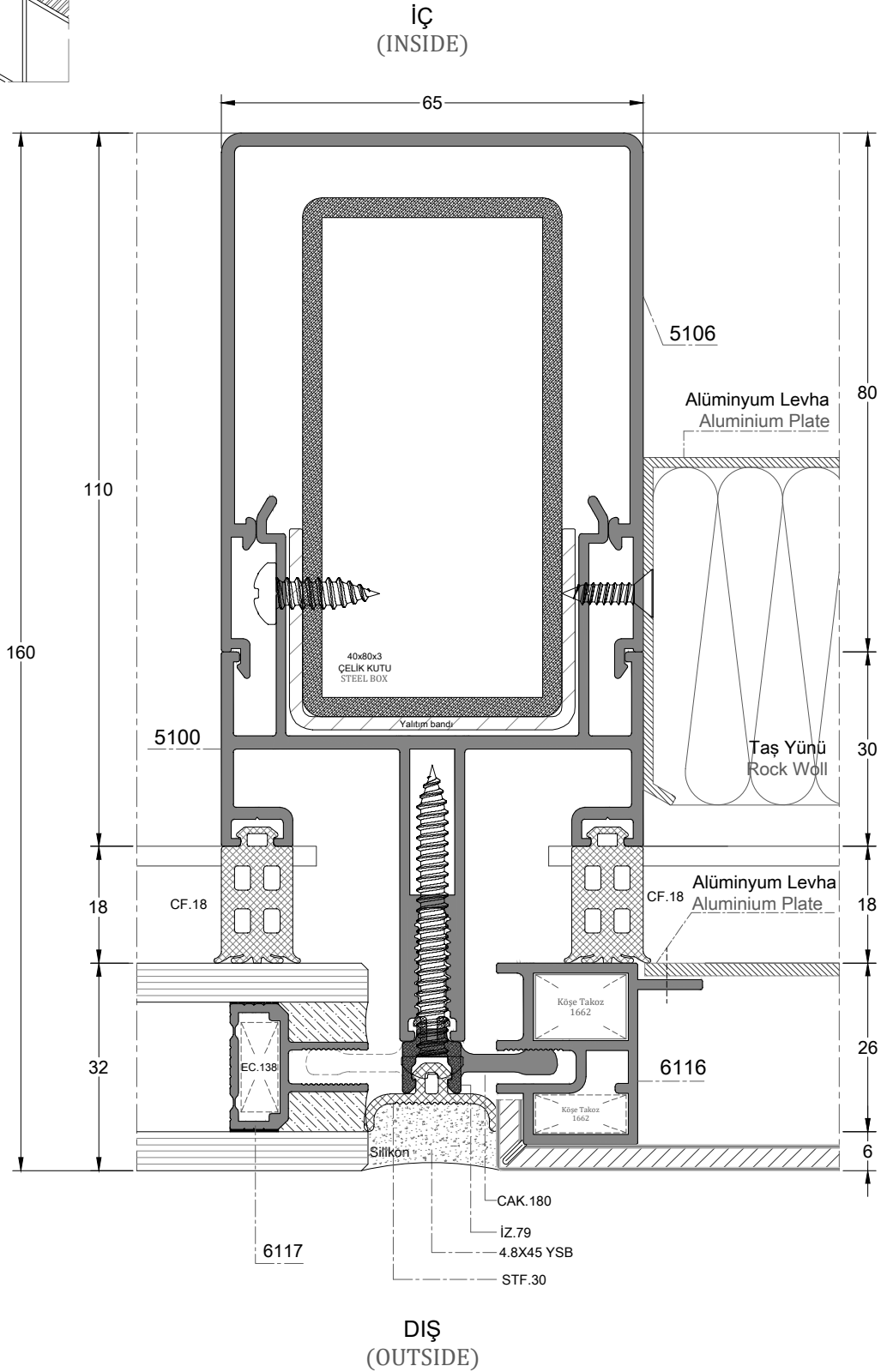
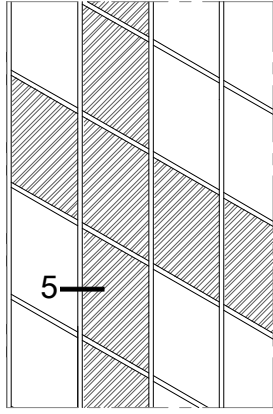
DIŞ  
(OUTSIDE)

İÇ  
(INSIDE)

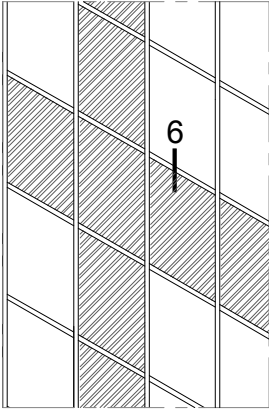


D-4

ENTEĞRE CEPHE SPANDREL BÖLGE DÜŞEY DETAY  
INTEGRATED FACADE SPANDREL SECTION VERTICAL DETAIL

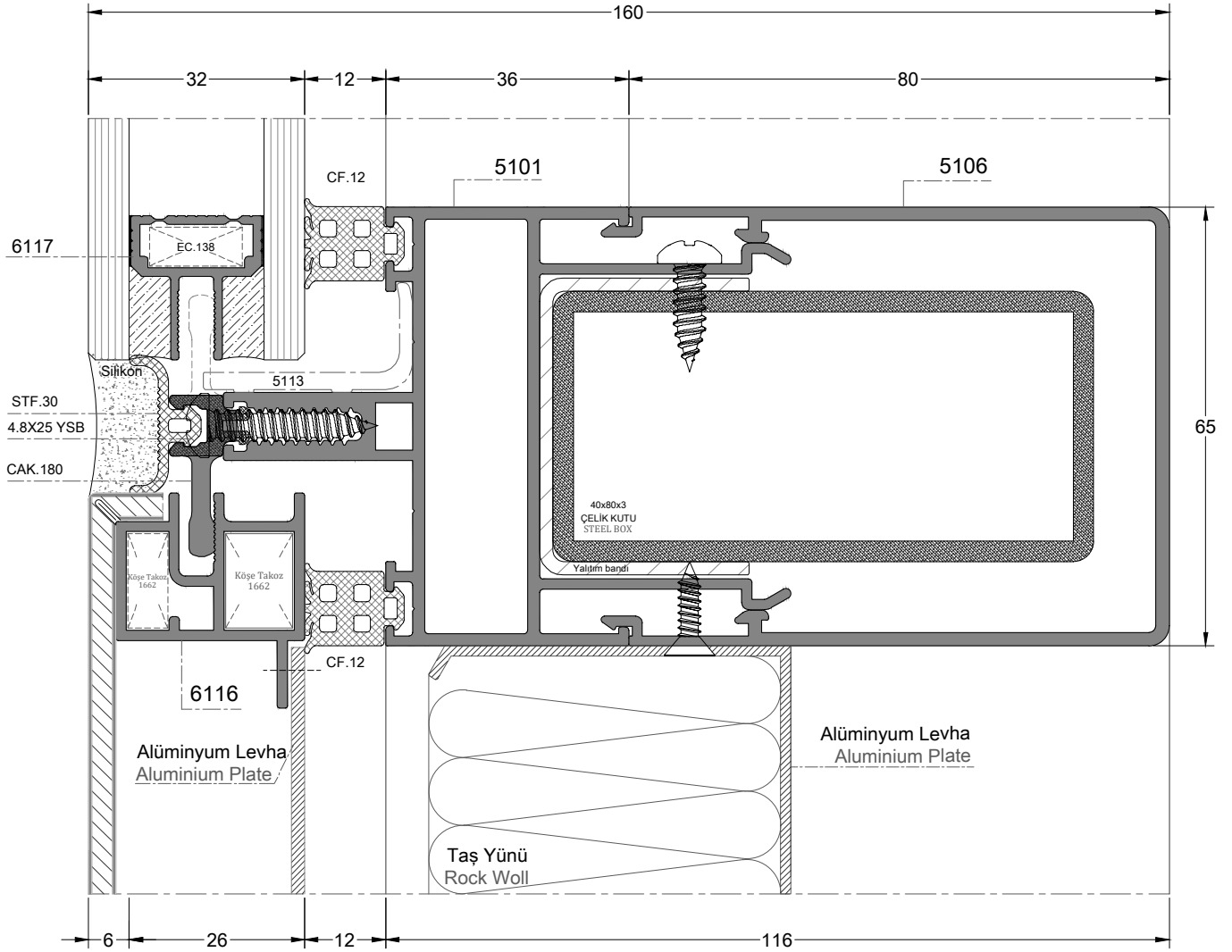


ENTEĞRE CEPHE SPANDREL BÖLGE YATAY DETAY  
INTEGRATED FACADE SPANDREL SECTION HORIZONTAL DETAIL



DIŞ  
(OUTSIDE)

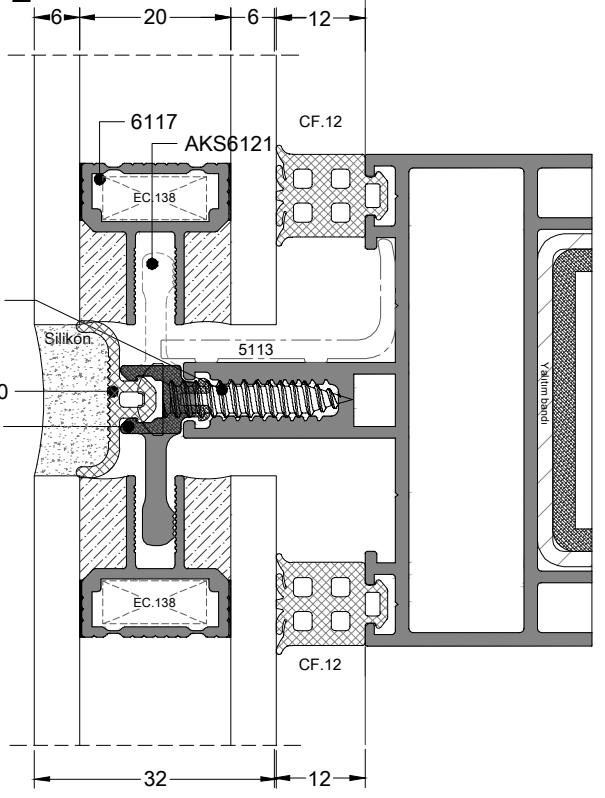
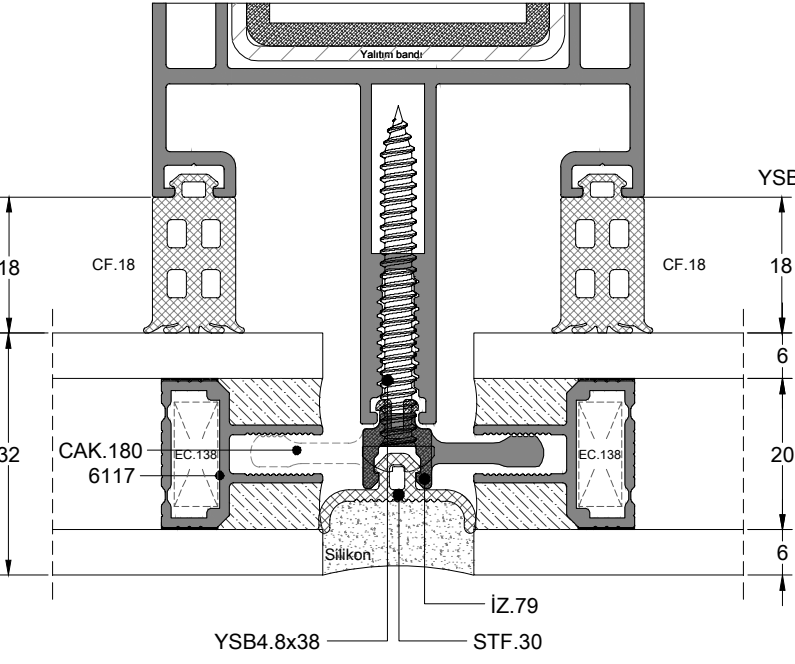
İÇ  
(INSIDE)



D-6

# 32 MM

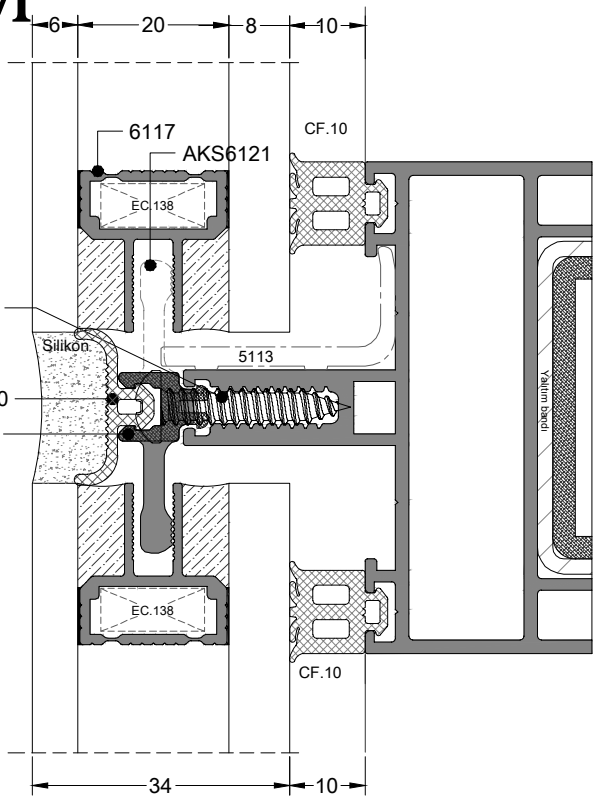
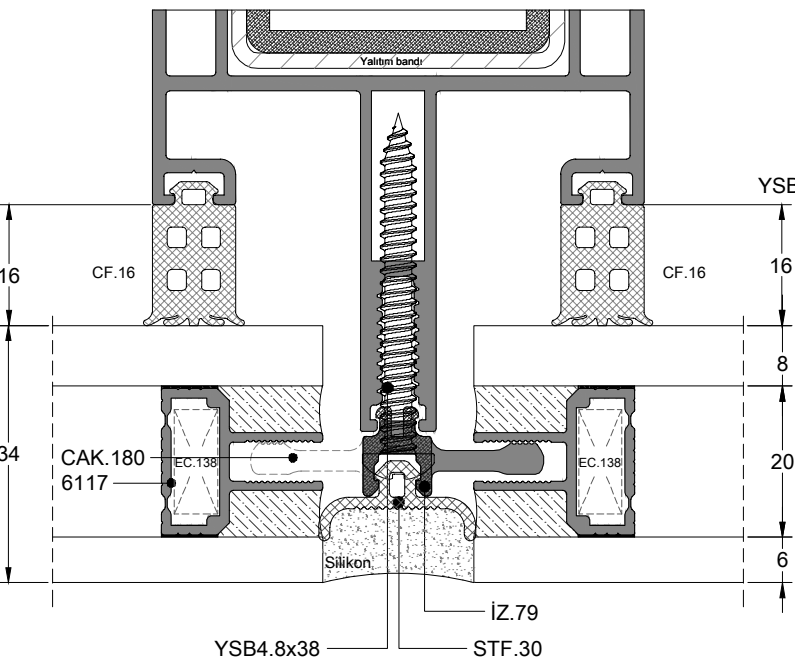
DÜŞEY DETAYI  
VERTICAL DETAIL



YATAY DETAYI  
HORIZONTAL DETAIL

# 34 MM

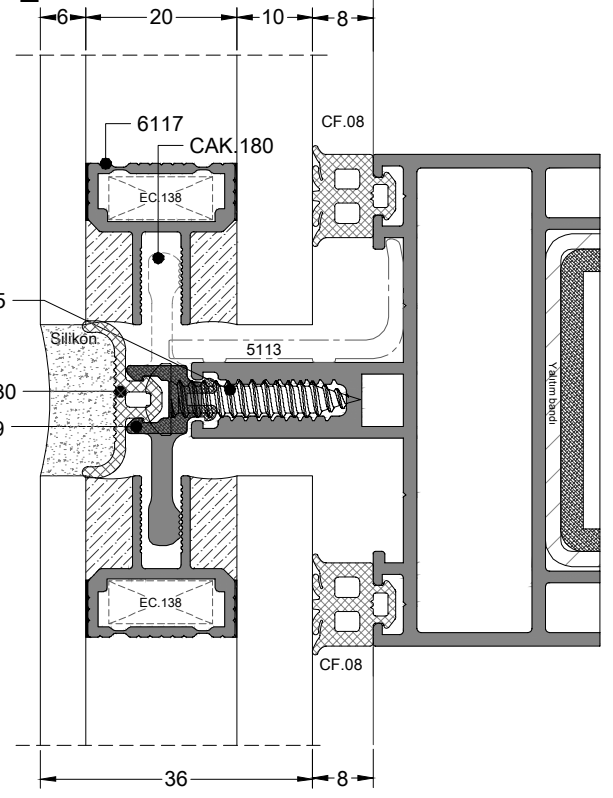
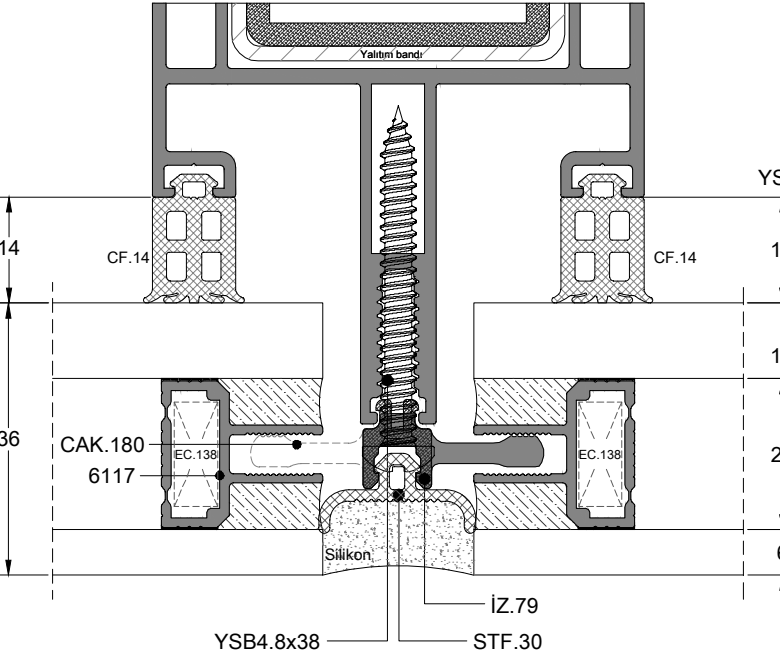
DÜŞEY DETAYI  
VERTICAL DETAIL



YATAY DETAYI  
HORIZONTAL DETAIL

# 36 MM

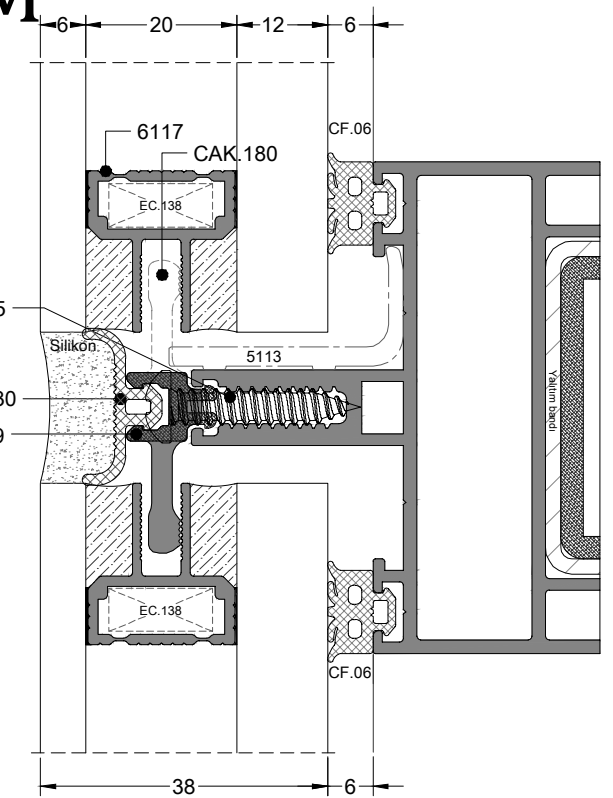
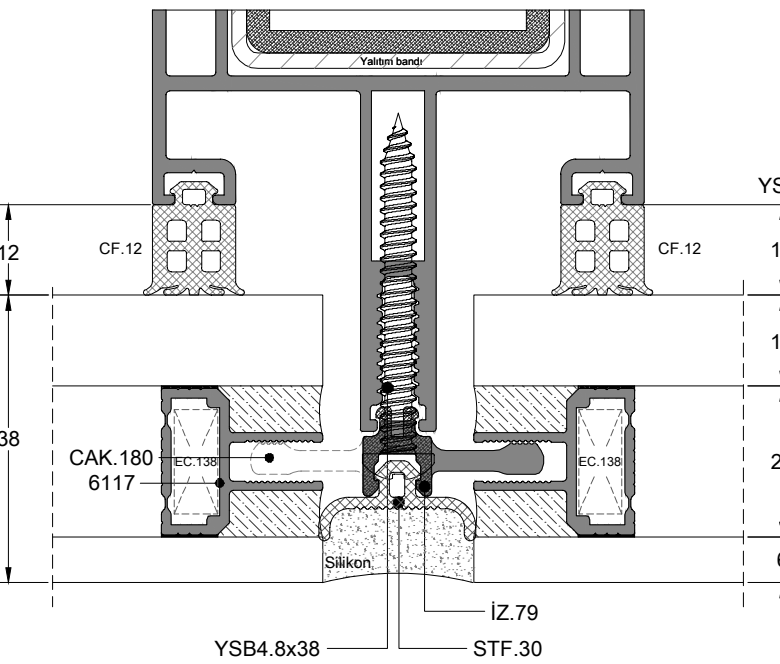
DÜŞEY DETAYI  
VERTICAL DETAIL



YATAY DETAYI  
HORIZONTAL DETAIL

# 38 MM

DÜŞEY DETAYI  
VERTICAL DETAIL



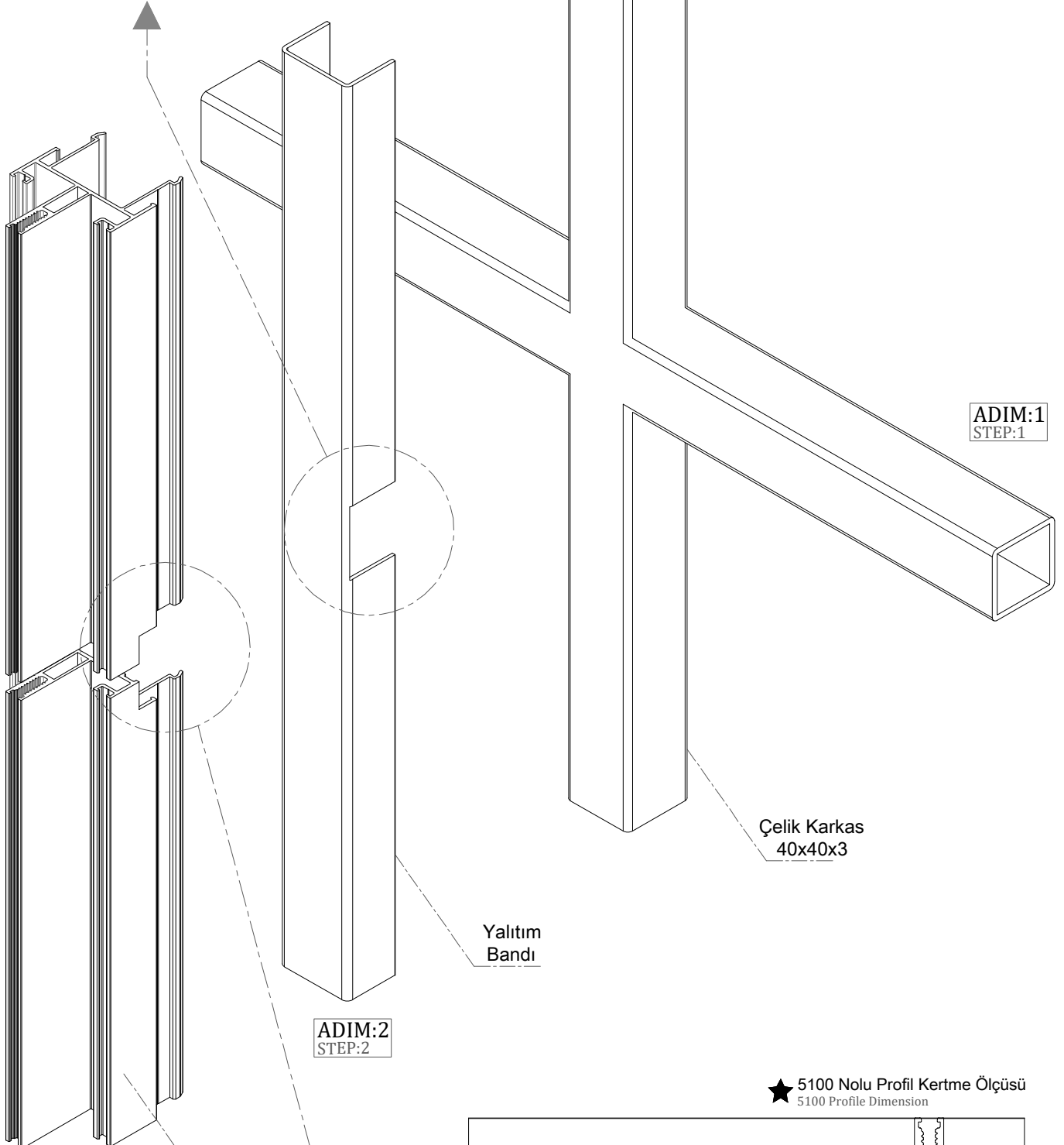
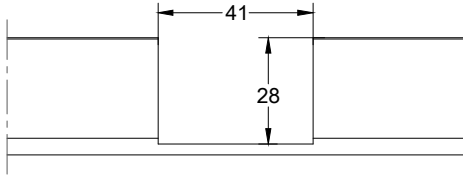
YATAY DETAYI  
HORIZONTAL DETAIL

FS65 ÇELİK  
TAKVİYELİ CEPHE  
MONTAJ  
TALİMATLARI

FS65 STEEL  
FACADE  
ASSEMBLY  
INSTRUCTIONS

Yalıtım Bandı Kertme Ölçüsü

Dimensions



ADIM:1  
STEP:1

Çelik Karkas  
40x40x3

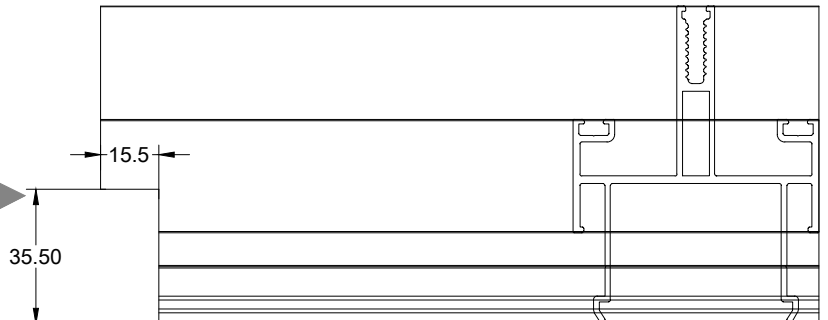
Yalıtım  
Bandı

ADIM:2  
STEP:2

★ 5100 Nolu Profil Kertme Ölçüsü  
5100 Profile Dimension

ADIM:3  
STEP:3

5100







5107

Çelik Kasa  
40x40x3

Yalıtım  
Bandı

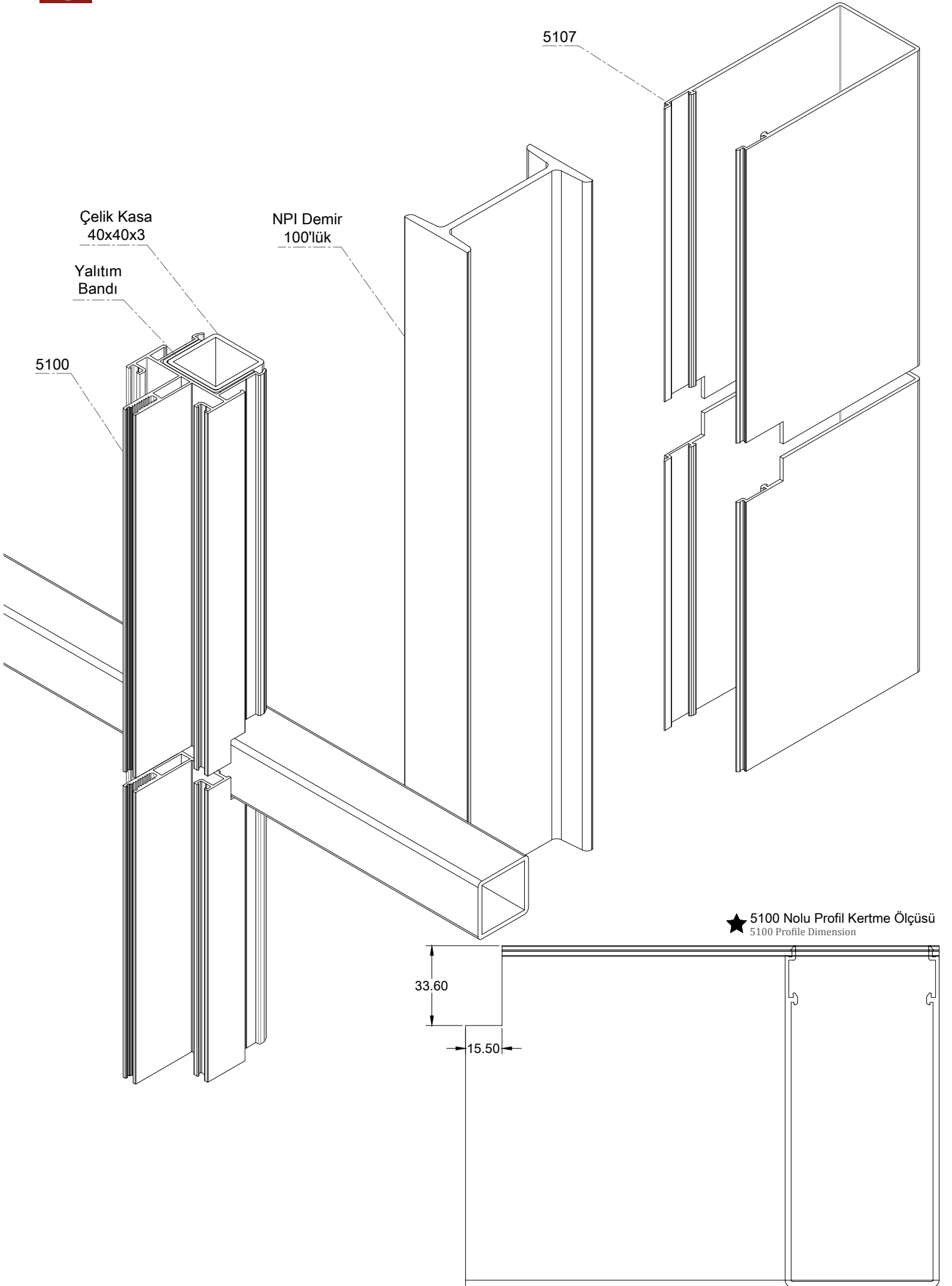
NPI Demir  
100'lük

5100

★ 5100 Nolu Profil Kertme Ölçüsü  
5100 Profile Dimension

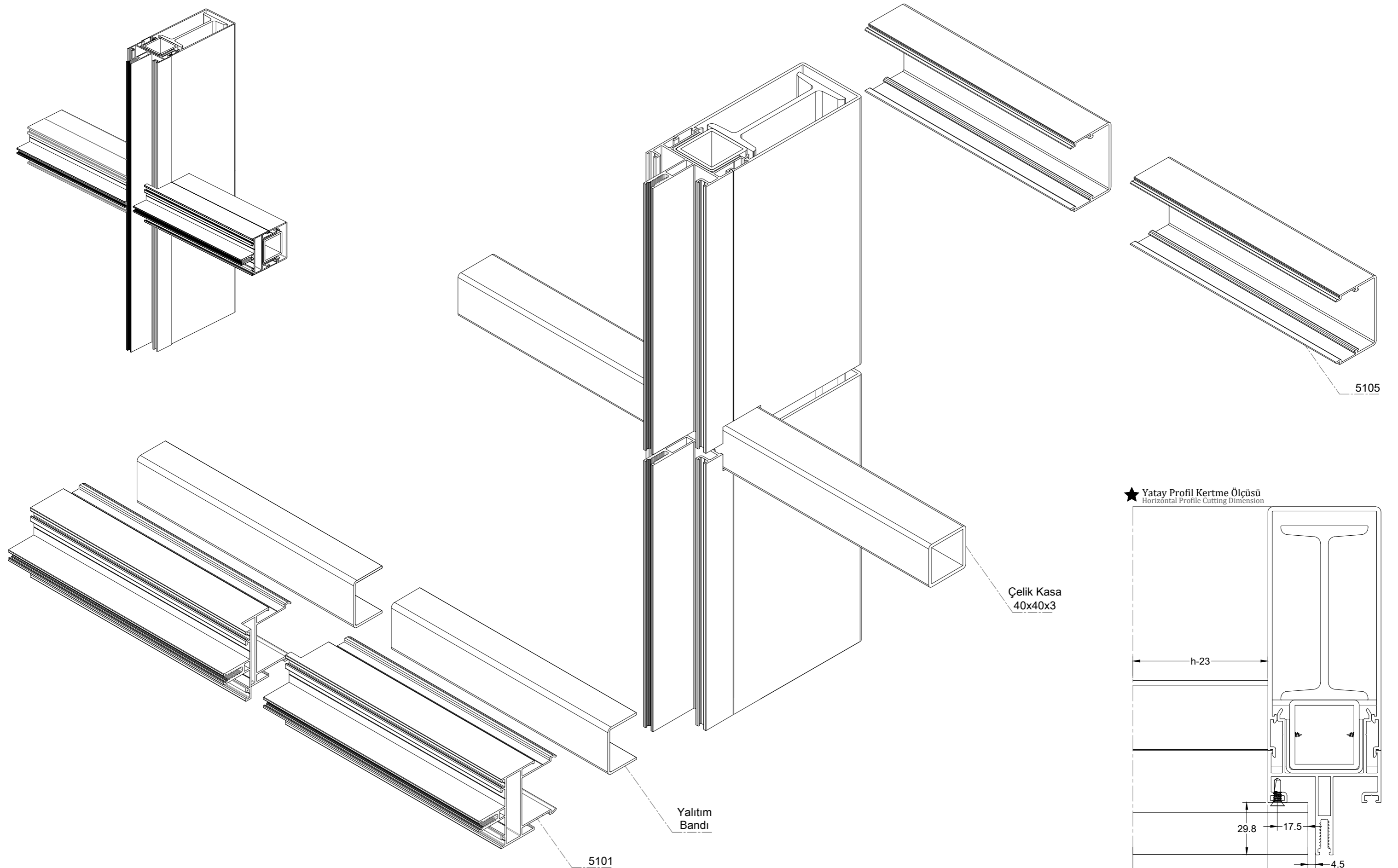
33.60

15.50



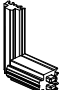
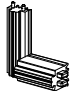
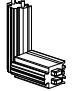

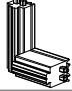
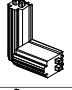
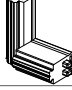
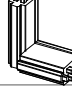
**YATAY PROFİL KERTME ÖLÇÜSÜ**  
HORIZONTAL PROFILE CUTTING DIMENSION

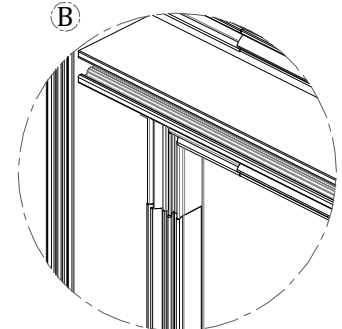
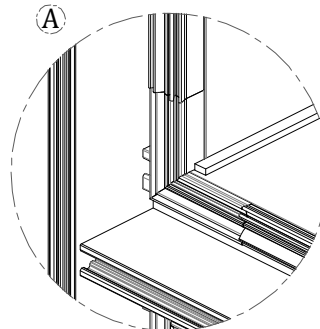
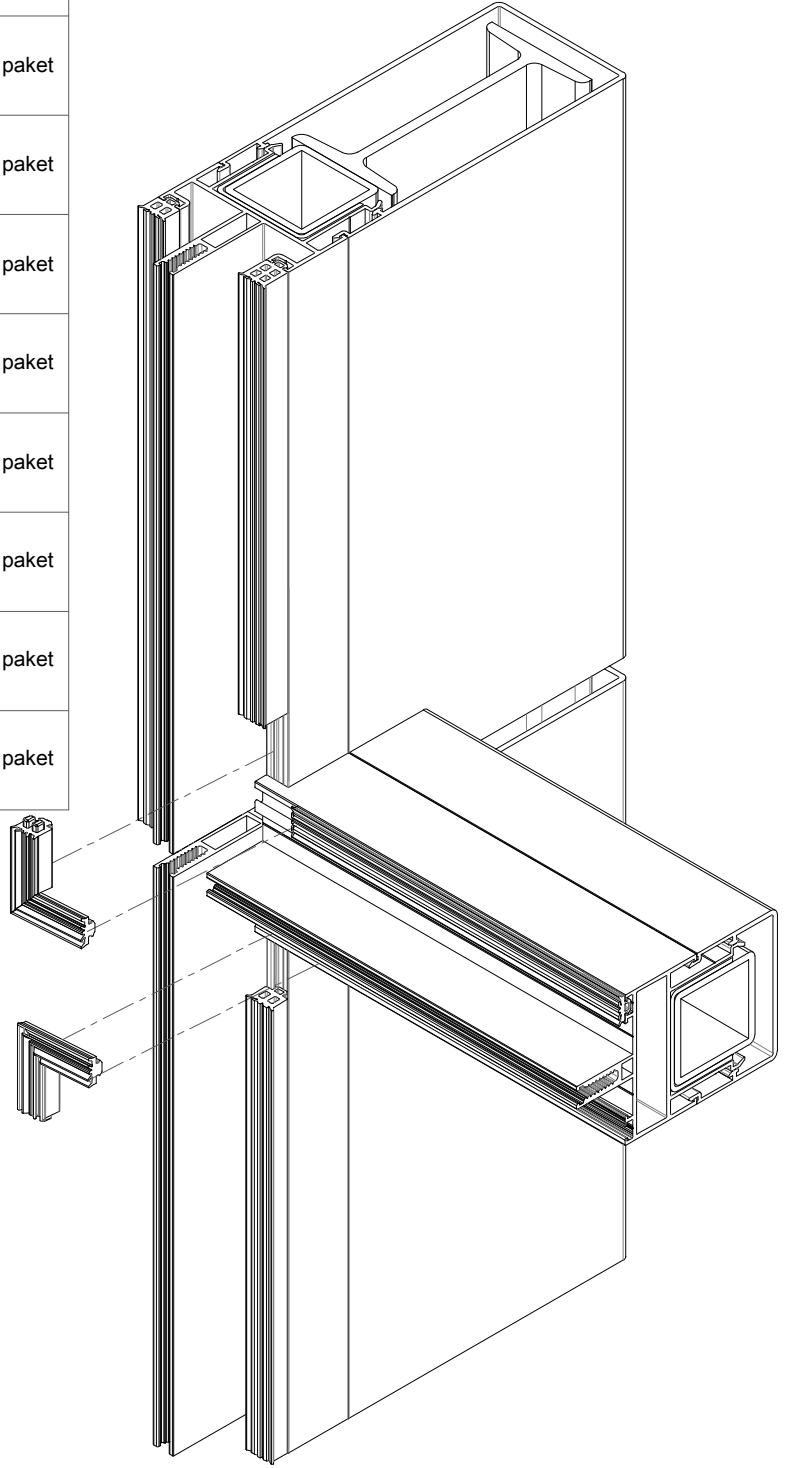
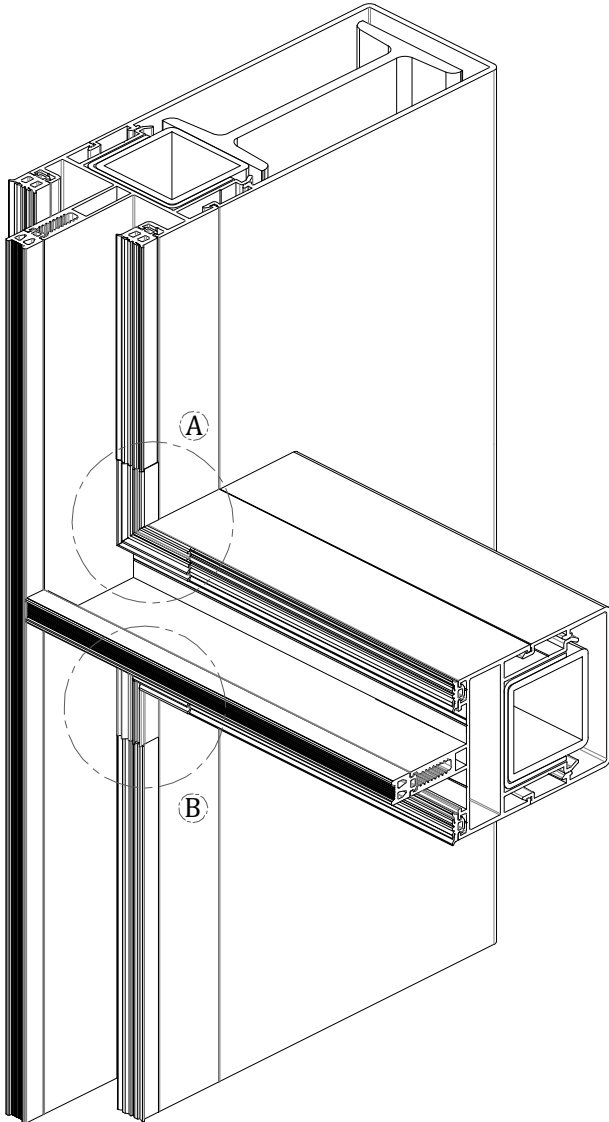
**NOT : Yatay arka profil 5105 profilinde kertme işlemi bulunmamaktadır. Yatay arka profili kesim ölçüsü h-23 kadar olmalıdır.**  
NOTE : THE HORIZONTAL REAR PROFILE 5105 PROFILE CANNOT HAVE CHAFING. HORIZONTAL BACK PROFILE CUT SIZE SHOULD BE UP TO h-23.





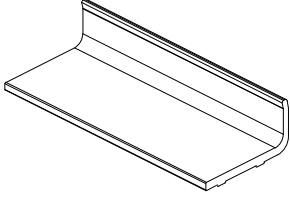
VULKANİZE KÖŞE MONTAJ ŞEMASI  
VULCANIZE CORNER ASSEMBLY DIAGRAM

AKSESUAR ACCESSORY	STOK KODU REFERENCE CODE	AKSESUAR KODU PRODUCT CODE	PAKET PACK
	AKS1483	FS65-CVK.93 (CF.09+CF.03)	40 tk / paket
	AKS1484	FS65-CVK.104 (CF.10+CF.04)	40 tk / paket
	AKS1485	FS65-CVK.115 (CF.11+CF.05)	40 tk / paket
	AKS1486	FS65-CVK.126 (CF.12+CF.06)	40 tk / paket
	AKS1487	FS65-CVK.137 (CF.13+CF.07)	40 tk / paket
	AKS1488	FS65-CVK.148 (CF.14+CF.08)	40 tk / paket
	AKS1489	FS65-CVK.159 (CF.15+CF.09)	40 tk / paket
	AKS7288	FS65-CVK.1812 (CF.18+CF.12)	40 tk / paket

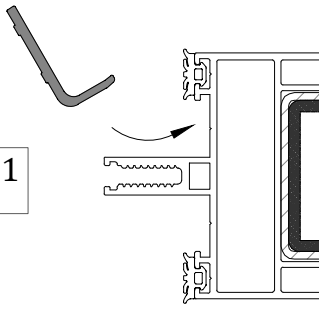
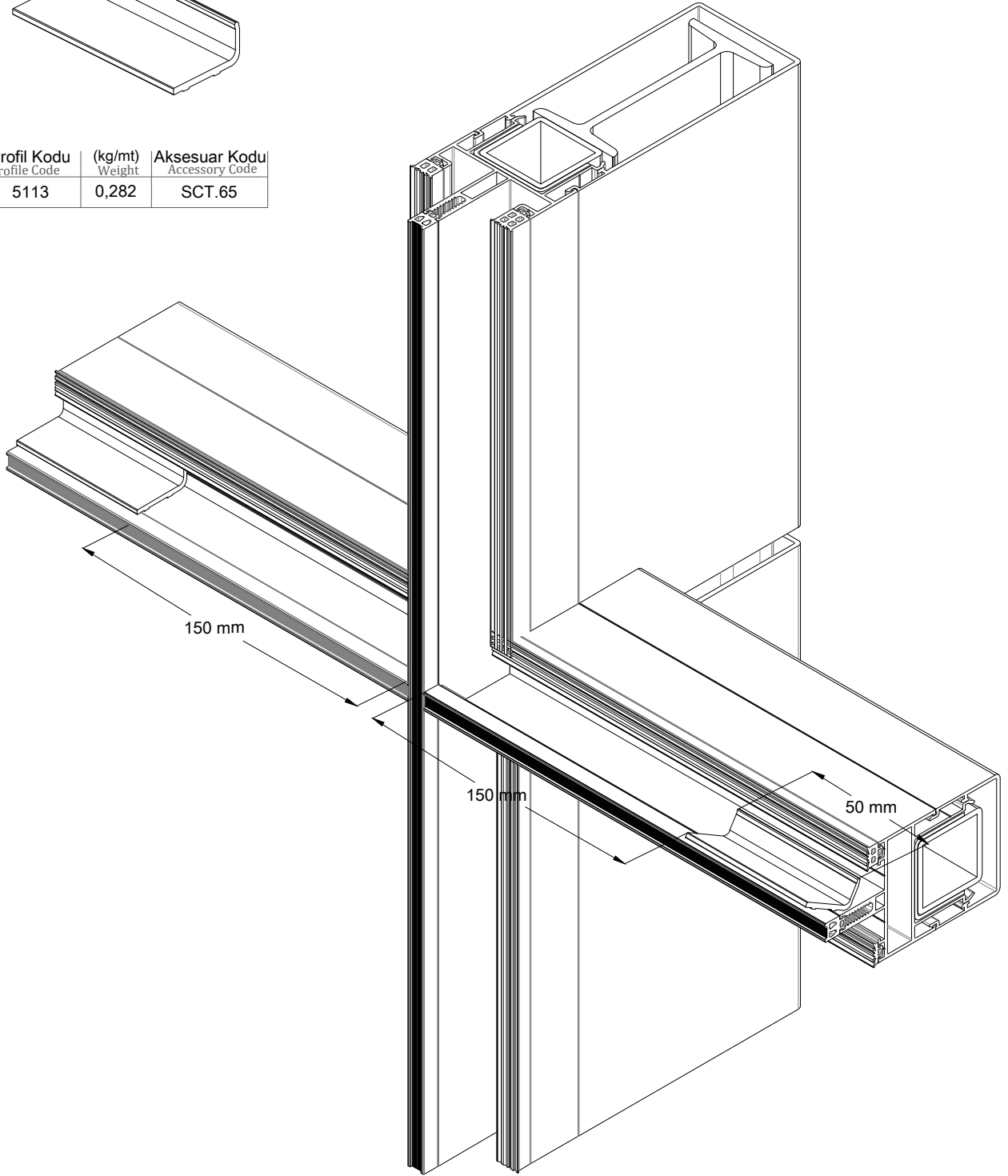




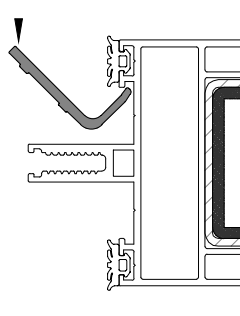
CAM ALTI TAKOZ ŞEMASI  
SUB-GLAZING WEDGE DIAGRAM



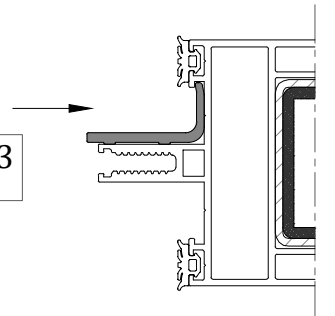
Profil Kodu Profile Code	(kg/mt) Weight	Aksesuar Kodu Accessory Code
5113	0,282	SCT.65



ADIM.1  
STEP.1

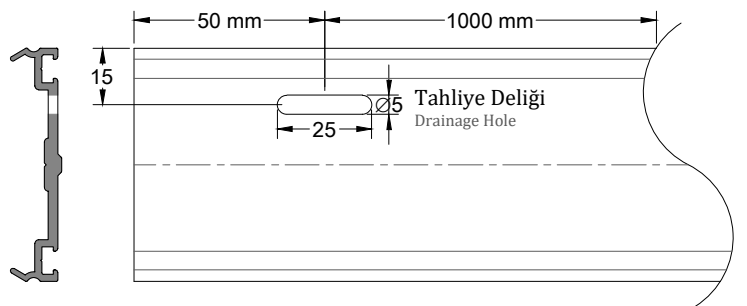
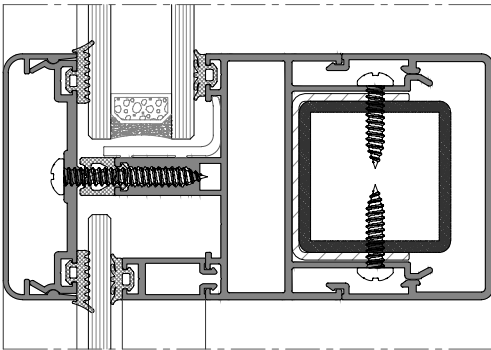
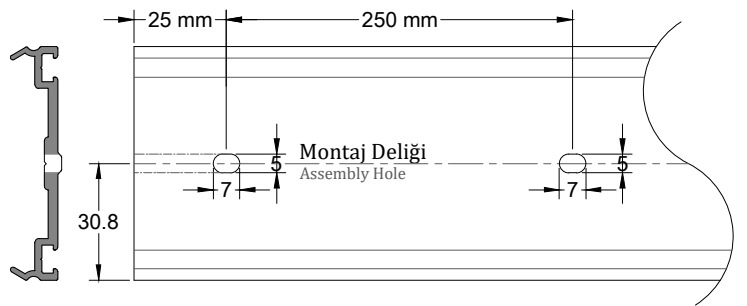
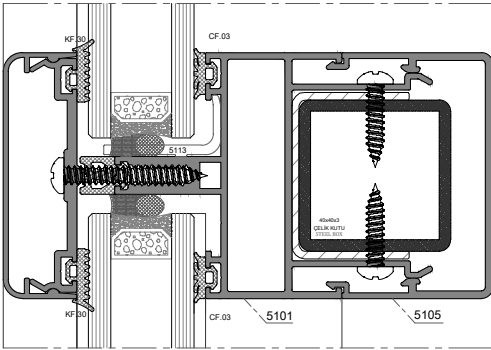
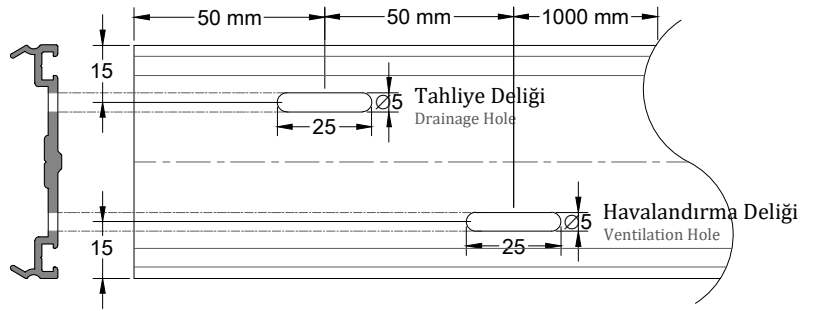
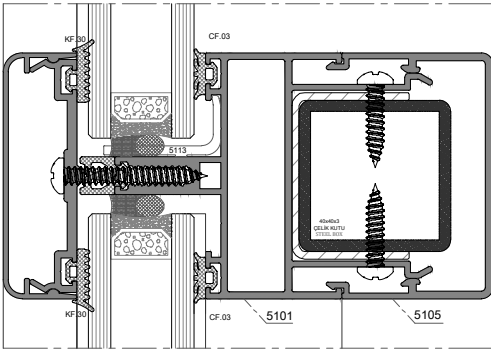
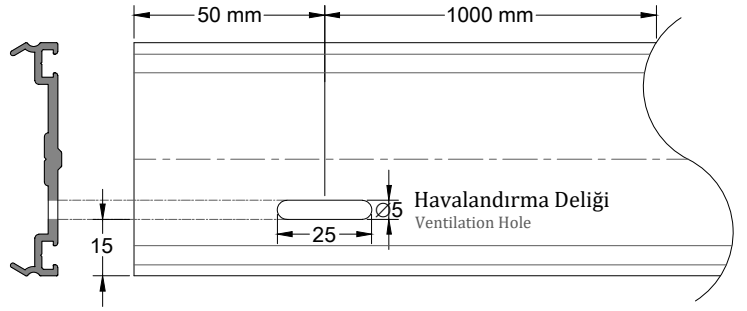
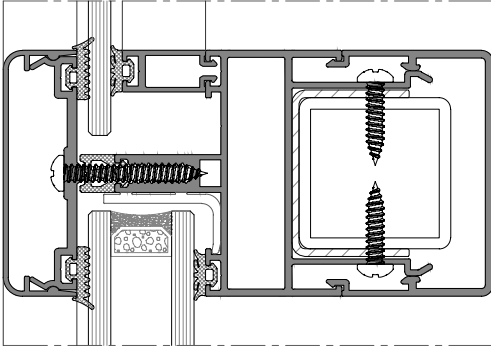


ADIM.2  
STEP.2



ADIM.3  
STEP.3

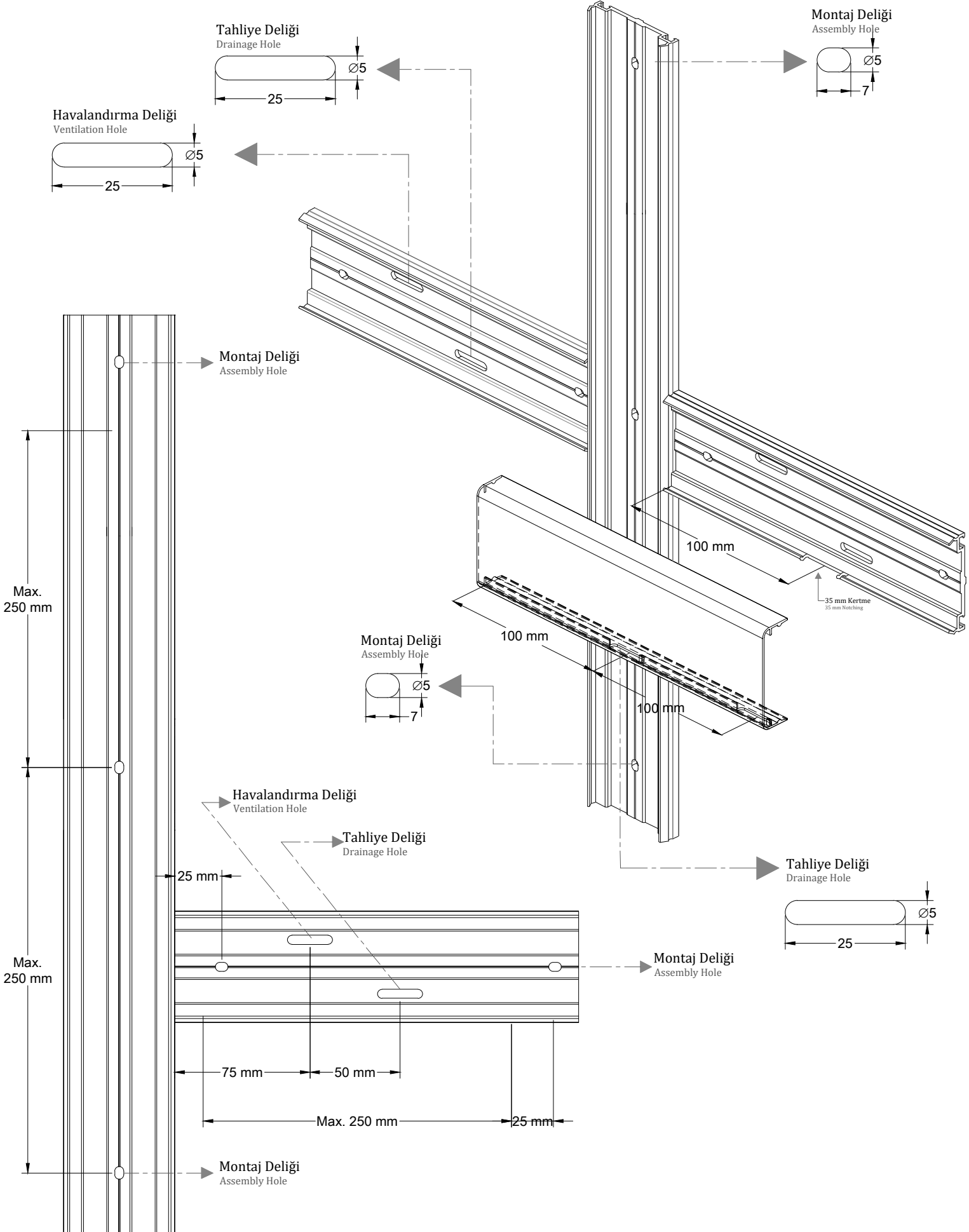
KAPAK VE KAPAK ALTI PROFİLLERİ  
DELİK ŞEMASI  
CORNER AND SUB-CORNER PROFILES HOLE DIAGRAM



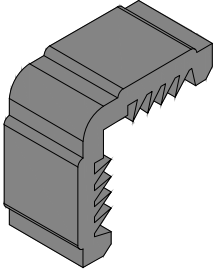
## KAPAK VE KAPAK ALTI PROFİLLERİ

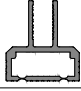
### DELİK ŞEMASI

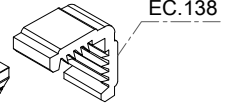
CORNER AND SUB-CORNER PROFILES HOLE DIAGRAM



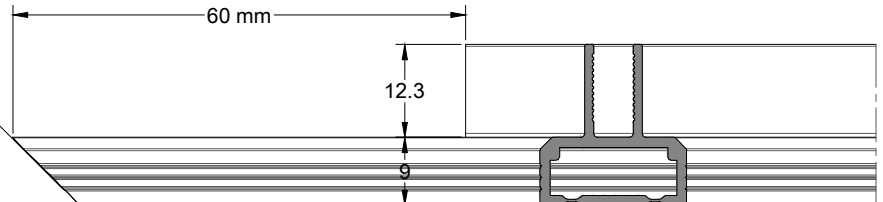
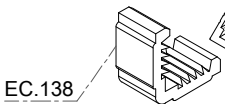
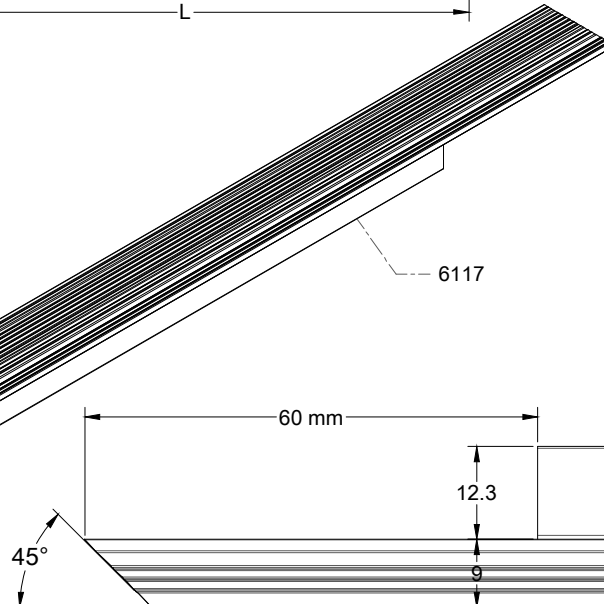
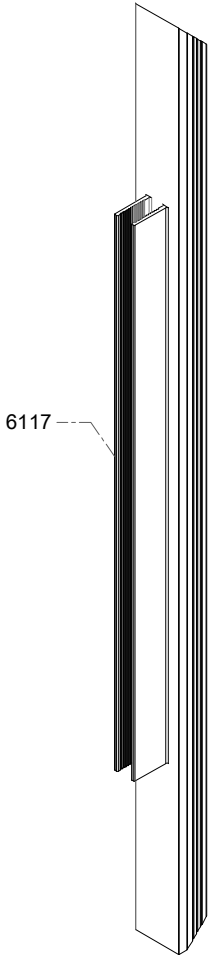
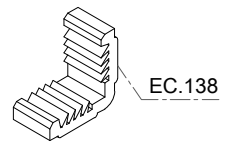
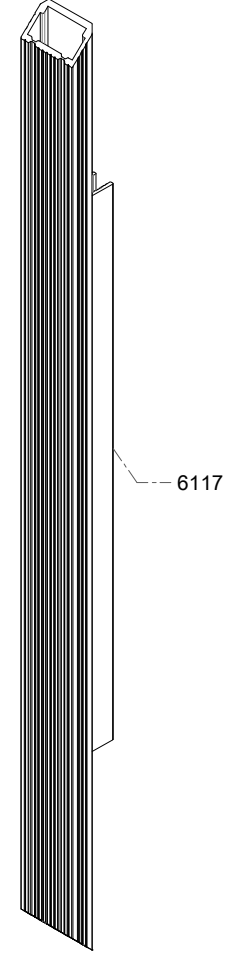
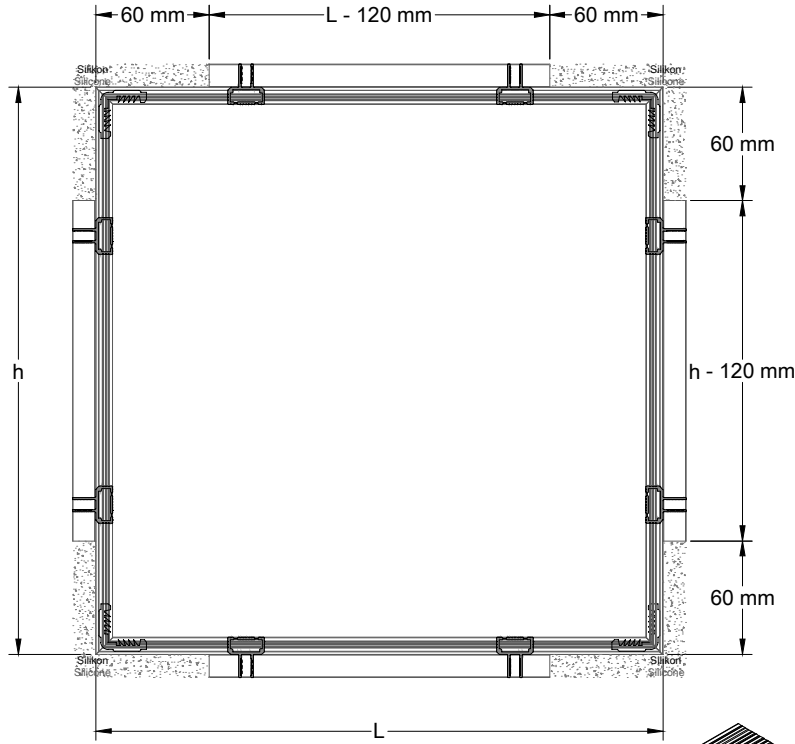
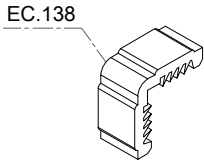
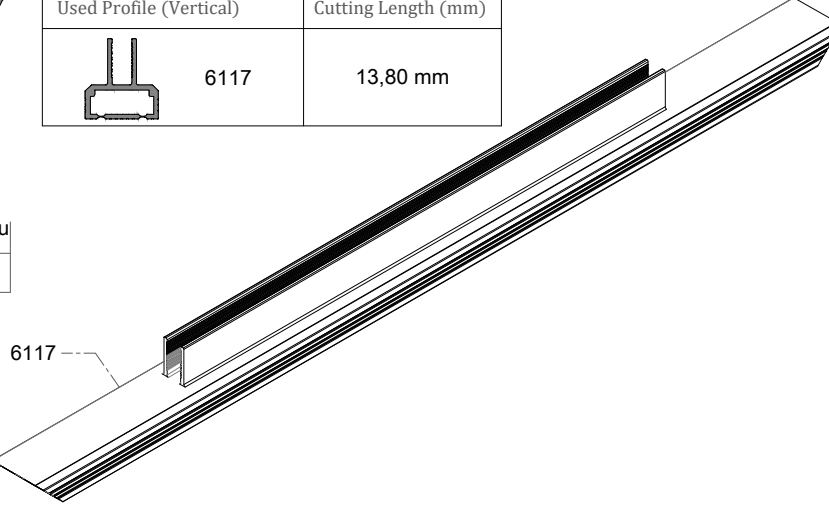
20 mm CAM ÇİTASI İÇİN 45° KÖŞE BAĞLANTI MONTAJ TALİMATI  
20 mm GLAZING BEAD FOR 45° CORNER CONNECTION ASSEMBLY INSTRUCTIONS



Kullanıldığı Profil (Düsey) Used Profile (Vertical)	Kesim Boyu (mm) Cutting Length (mm)
 6117	13,80 mm

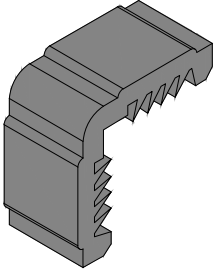


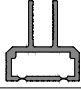
Stok Kodu Reference Code	Aksesuar Kodu Accessory Code
01 130352	EC.138

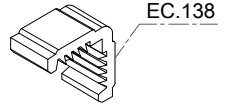




20 mm CAM ÇITASI İÇİN 90° KÖŞE BAĞLANTI MONTAJI  
20 mm GLAZING BEAD FOR 90° CORNER CONNECTION ASSEMBLY



Kullanıldığı Profil (Düşey) Used Profile (Vertical)	Kesim Boyu (mm) Cutting Length (mm)
 6117	13,80 mm



Stok Kodu Reference Code	Aksesuar Kodu Accessory Code
01 130352	EC.138

